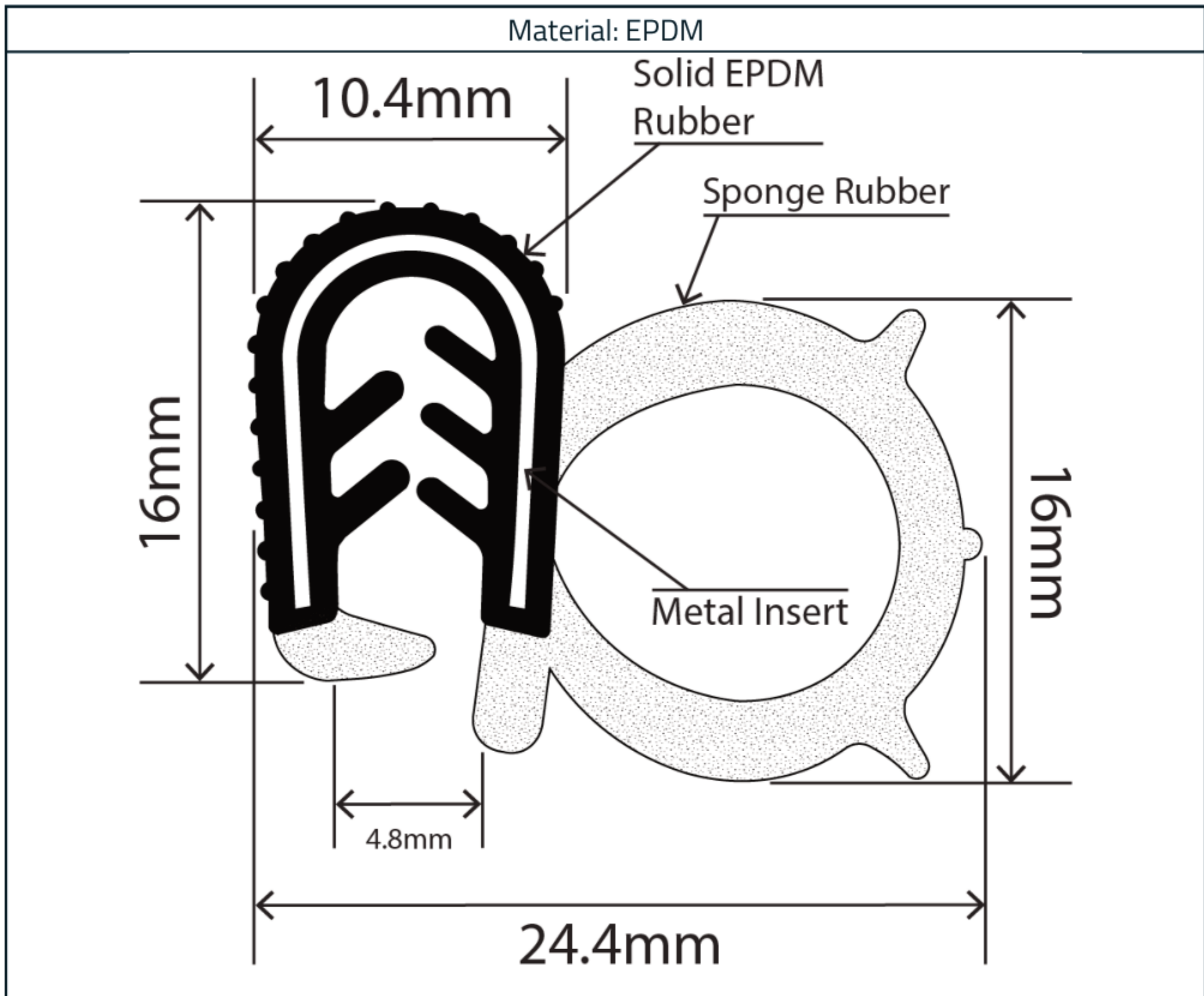


EPDM Door Seal Profile - 16mm x 24.4mm

Product Code: RCK-0004



Measurements:

Height	Width
16mm	24.4mm

The information contained on this product information sheet is to be used as guidance. The advice is given in good faith and does not constitute any guarantee or recommendation for suitability. The Rubber Company cannot be held liable for any damage caused by incorrect installation. We hereby reserve the right to change the technical information herewith without notification or prior agreement.

Technical Data - EPDM

Property	Test Method	Requirement	Value
Compound	-	-	EPDM
Colour	-	-	Black
Hardness (Shore A)	ISO 7619-1	70°±5	70-71°
Tensile Strength	ISO 37	≥ 7.5 MPa	7.8 MPa
Elongation at Break	ISO 37	≥ 300%	340%
Tear Resistance	ISO 34-1	≥ 8N/mm	22.18N/mm
Compression Set (22hrs @100°C)	ISO 815	35% (max)	23.12%
Low-Temperature Ageing Hardness Change (168hrs @ -10°C)	DIN 53505	+10°	+4°
Ozone Resistance (72hrs @ 40°C-50 pphm)	ISO 1431-1 A	NO CRACK	NO CRACK
UV Resistance	ASTM D 1148	NO MIGRATION	NO MIGRATION
Brittleness Point (24hrs @ -40°C)	ISO 812	NO CRACK	NO CRACK
Working Temperature Range	-	-	-40°C to +120°C

Technical Data - Sponge Rubber

Property	Test Method	Value
Compound	-	Closed Cell EPDM Sponge
Colour	-	Black
Density (g/cm ³)	TS 2817 ISO 2781	0.6
Tensile Strength (MPa)	TS ISO 37	2.8
Elongation at Break (%)	TS ISO 37	140
Compression Deflection (Kpa)	ASTM D 1056	42
Water Absorption (%)	ASTM D 1056	0.98
Ozone Resistant (72hr @ 40°C - 50pphm)	ISO 1431-1 A	NO CRACKING
Thermal Conductivity Coefficient (W/m.K)	ASTM C 518	0.15
Working Temperature range (°C)	-	-40°C to +70°C
Recovery After Ageing (%)	-	82



The information contained on this product information sheet is to be used as guidance. The advice is given in good faith and does not constitute any guarantee or recommendation for suitability. The Rubber Company cannot be held liable for any damage caused by incorrect installation. We hereby reserve the right to change the technical information herewith without notification or prior agreement.