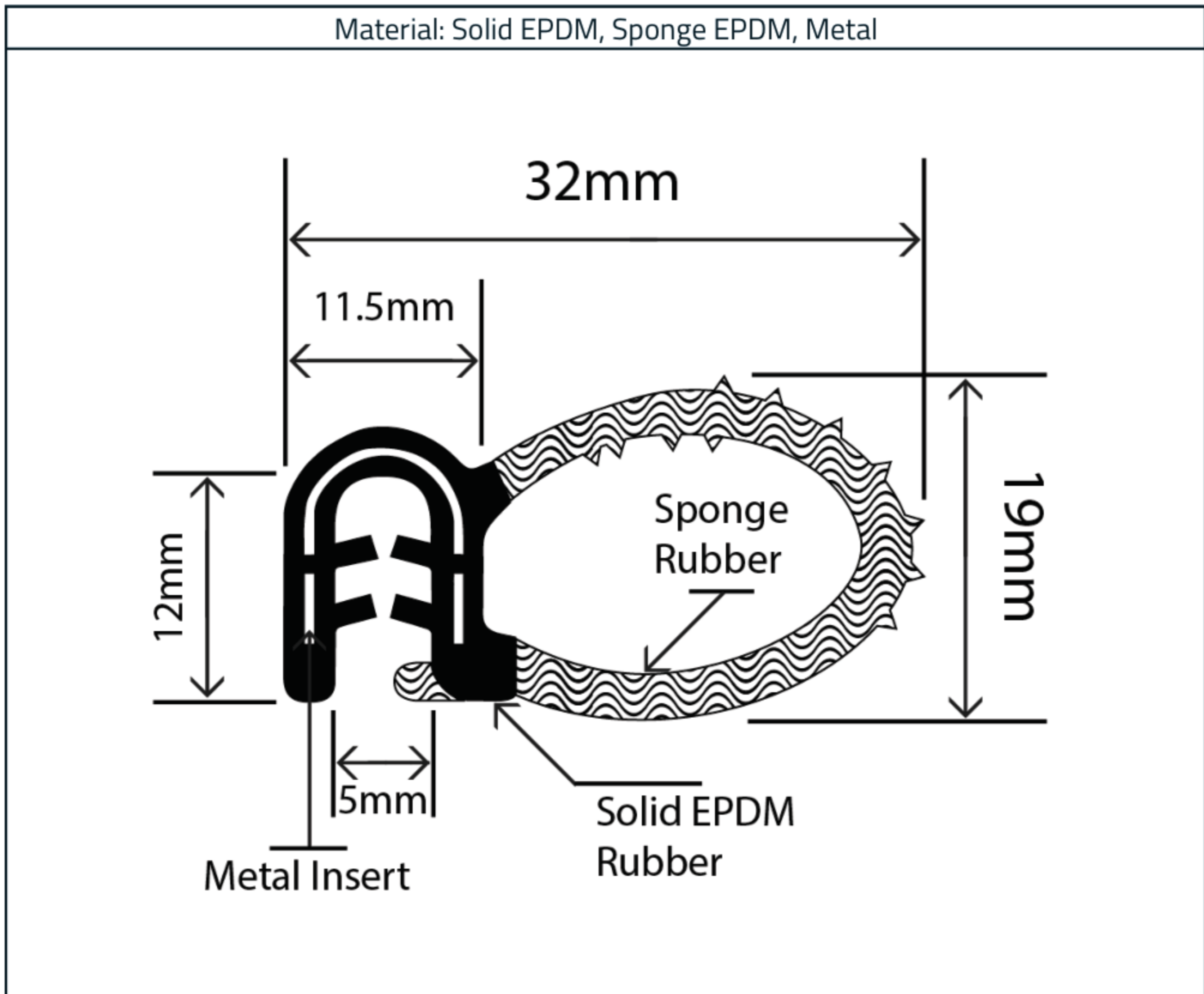


## Self Grip Door Seal 32mm x 19mm

Product Code: RCDS32X19L



### Measurements:

| Height | Width | To Fit Panel |
|--------|-------|--------------|
| 19mm   | 32mm  | 1.6mm - 3mm  |

The information contained on this product information sheet is to be used as guidance. The advice is given in good faith and does not constitute any guarantee or recommendation for suitability. The Rubber Company cannot be held liable for any damage caused by incorrect installation. We hereby reserve the right to change the technical information herewith without notification or prior agreement.

### Material Specification - Solid Rubber Body

Our self grip door seal profiles are manufactured using a combination of solid rubber and sponge rubber with a metal carrier. These profiles provide dual functionality; they provide a sealing function while also covering sharp or unfinished edges. The hollow sponge rubber sections are extremely flexible and are suitable for sealing doors, hatches and numerous other applications.

### Recommended Compression

The compression of our door seal profiles should not exceed a maximum of 50%, as otherwise the compactness and the restoring force are affected. In practice, the profile should ideally be compressed between 30-40%.

### Material Specification - Solid Rubber Body

| Properties   | Test Method      | Values                      |
|--|------------------|-----------------------------|
| Polymer  | -                | EPDM                        |
| Hardness (Shore A)   | ASTM D2240       | 80° +/- 5°                  |
| Tensile Strength   | ASTM D412        | 80 kg/cm <sup>2</sup> (min) |
| Tear Resistance  | ASTM D624        | 3 kg/mm (min)               |
| Brittle Point  | ASTM D746        | -40°C                       |
| <b>Air Ageing (70hrs @ 70°C)</b>   |                  |                             |
| Compression Set  | ASTM D395 Type B | 40% (max)                   |
| Change in Shore Hardness   | -                | +2°                         |
| Change in Tensile Strength   | -                | +15%                        |
| Ozone Resistance (70hrs @ 50°C, 50 pphm ozone concentration with 20% elongation) | ASTM D1149       | No cracks                   |

The information contained on this product information sheet is to be used as guidance. The advice is given in good faith and does not constitute any guarantee or recommendation for suitability. The Rubber Company cannot be held liable for any damage caused by incorrect installation. We hereby reserve the right to change the technical information herewith without notification or prior agreement.

### Material Specification - Sponge Rubber Seal

| Properties   | Test Method | Values                      |
|--|-------------|-----------------------------|
| Polymer  | -           | EPDM                        |
| Volume Mass (Indicative)   | -           | 550 - 600 g/cm <sup>3</sup> |
| Brittle Point  | ASTM D746   | -40°C                       |
| Ozone Resistance (70hrs @ 50°C, 50 pphm ozone concentration with 50% elongation) | ASTM D1149  | No cracks                   |
| Water Absorption (22hrs @ 23°C)  | ASTM D1056  | 1.2% (max)                  |
| Tensile Strength   | ASTM D412   | 7 - 10 kg/cm <sup>2</sup>   |
| Tear Resistance  | ASTM D624   | 0.6 / 0.8 kg/mm             |

### Material Specification - Metal Carrier

| Properties                  | Test Method | Values                      |
|-----------------------------|-------------|-----------------------------|
| H.R.B (Rockwell Hardness)   | -           | 80 - 90                     |
| Tensile Strength            | -           | 50 kg/mm <sup>2</sup> (min) |
| Type: Fe 50 – UNI 5961 – 67 |             |                             |

### Profile Properties

| Properties   | Test Method | Values                       |
|--|-------------|------------------------------|
| Compression Set (7 days @ 70°C)  | ASTM D1056  | 50% (max)                    |
| Stain of the Material in Contact with Organic Finished<br>- Migration Stain<br>- Contact Stain | ASTM D925   | Satisfactory<br>Satisfactory |
| Colour Fastness  | ASTM D750   | Satisfactory                 |
| Operating Temperature Range  | -           | -40°C to +80°C               |



The information contained on this product information sheet is to be used as guidance. The advice is given in good faith and does not constitute any guarantee or recommendation for suitability. The Rubber Company cannot be held liable for any damage caused by incorrect installation. We hereby reserve the right to change the technical information herewith without notification or prior agreement.