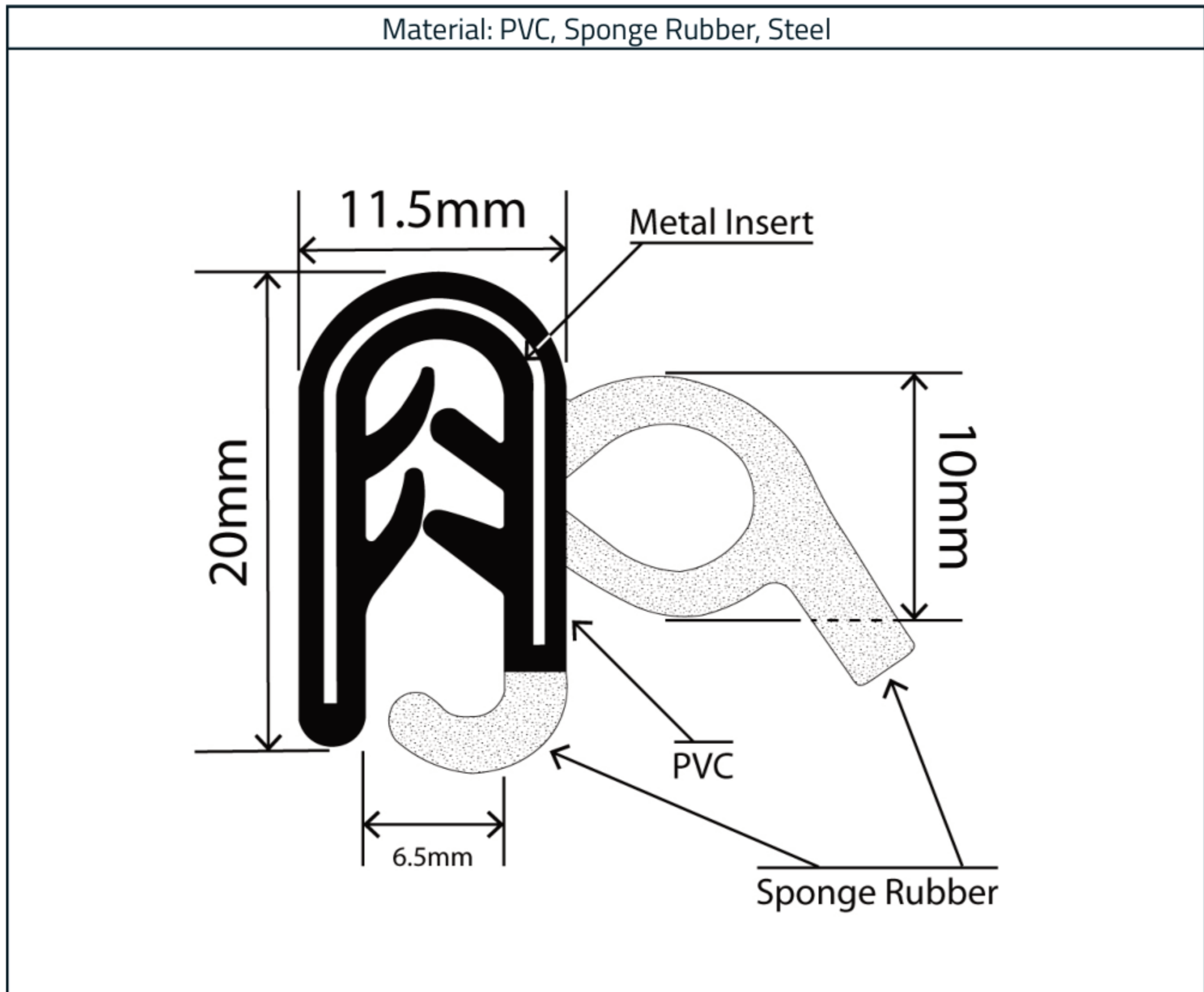


## PVC Self-Grip Door Seal - 11.5mm x 20mm

Product Code: RCDS11.5X20L



### Measurements:

Height	Width	To Fit Panel
20mm	11.5mm	3mm - 6mm

The information contained on this product information sheet is to be used as guidance. The advice is given in good faith and does not constitute any guarantee or recommendation for suitability. The Rubber Company cannot be held liable for any damage caused by incorrect installation. We hereby reserve the right to change the technical information herewith without notification or prior agreement.

### Material Specification - Solid Rubber Body

Our self-grip door seal profiles are manufactured using a combination of solid rubber and sponge rubber, with an integrated metal carrier. These profiles provide dual functionality; they provide a sealing function, while also covering sharp or unfinished edges. The hollow sponge rubber sections are extremely flexible and are suitable for sealing doors, hatches, and numerous other applications.

### Recommended Compression

The compression of our door seal profiles should not exceed a maximum of 50%, otherwise the compactness and the restoring force will be affected. In practice, the profile should ideally be compressed between 30-40%.

### Material Specification - Solid Rubber Body

Property	Value
Polymer	PVC
Hardness (Shore A)	70° +/- 3°
Density (Specific Gravity)	1.40 g/cm <sup>3</sup>
Tensile Strength	>11.0 MPa
Elongation at Break	260%
Operating Temperature Range	-25°C to +75°C

### Material Specification - Sponge Rubber Seal

Property	Test Method	Value
Polymer	-	EPDM
Volume Mass (Indicative)	-	550 - 600 g/cm <sup>3</sup>
Brittle Point	ASTM D746	-40°C
Ozone Resistance (70hrs @ 50°C, 50 pphm ozone concentration with 50% elongation)	ASTM D1149	No cracks
Water Absorption (22hrs @ 23°C)	ASTM D1056	1.2% (max)
Tensile Strength	ASTM D412	7 - 10 kg/cm <sup>2</sup>
Tear Resistance	ASTM D624	0.6 / 0.8 kg/mm

The information contained on this product information sheet is to be used as guidance. The advice is given in good faith and does not constitute any guarantee or recommendation for suitability. The Rubber Company cannot be held liable for any damage caused by incorrect installation. We hereby reserve the right to change the technical information herewith without notification or prior agreement.

### Material Specification - Metal Carrier

Property	Test Method	Value
H.R.B (Rockwell Hardness)	-	80 - 90
Tensile Strength	-	50 kg/mm <sup>2</sup> (min)
Type: Fe 50 – UNI 5961 – 67		

### Profile Properties

Property	Test Method	Value
Compression Set (7 days @ 70°C)	ASTM D1056	50% (max)
Stain of the Material in Contact with Organic Finished - Migration Stain - Contact Stain	ASTM D925	Satisfactory Satisfactory
Colour Fastness	ASTM D750	Satisfactory
Operating Temperature Range	-	-40°C to +80°C



The information contained on this product information sheet is to be used as guidance. The advice is given in good faith and does not constitute any guarantee or recommendation for suitability. The Rubber Company cannot be held liable for any damage caused by incorrect installation. We hereby reserve the right to change the technical information herewith without notification or prior agreement.