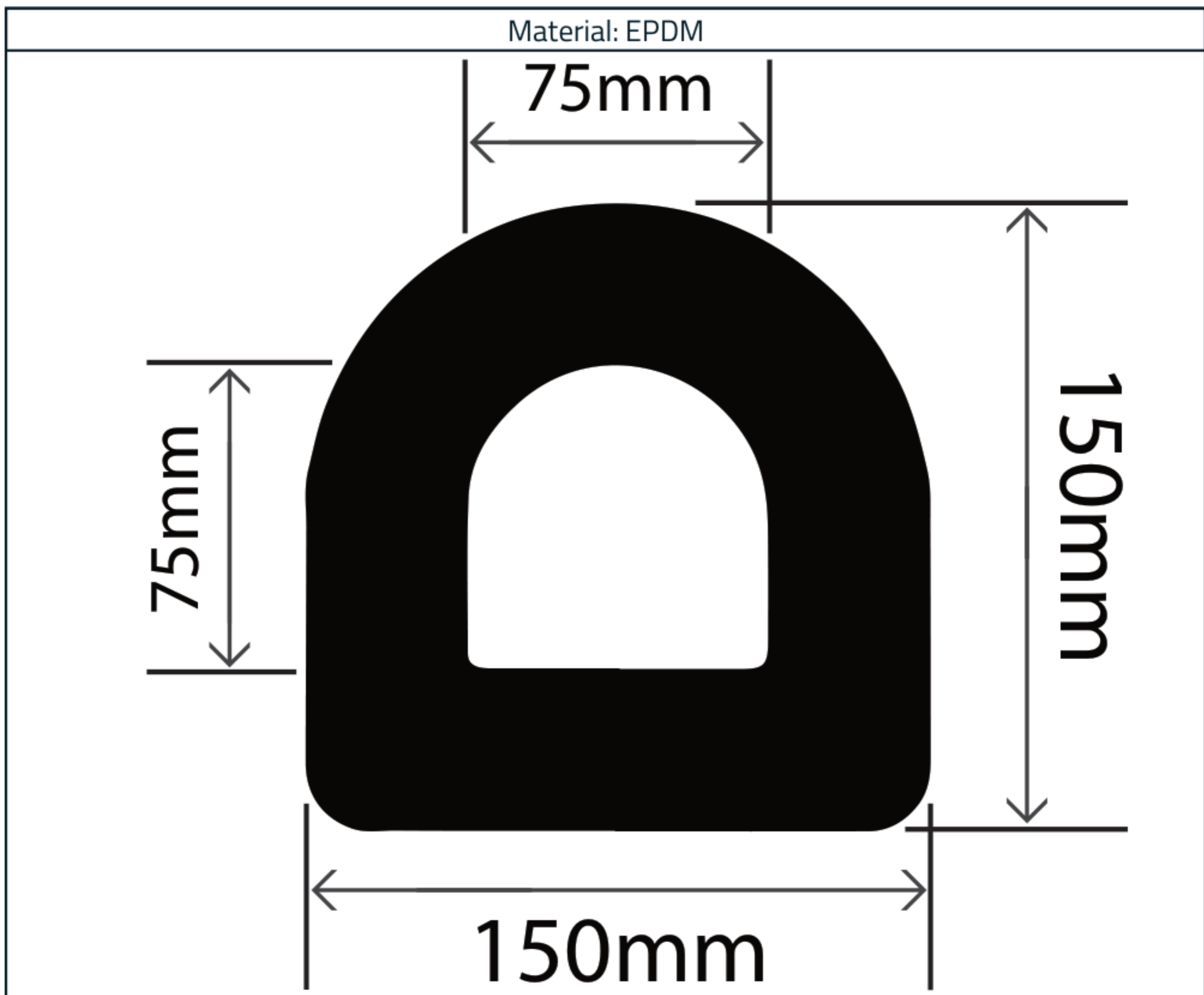


Non-Marking EPDM D Profile - 150mm x 150mm

Product Code: RC0801-150-GRY



Measurements:

Height	Width
150mm	150mm

The information contained on this product information sheet is to be used as guidance. The advice is given in good faith and does not constitute any guarantee or recommendation for suitability. The Rubber Company cannot be held liable for any damage caused by incorrect installation. We hereby reserve the right to change the technical information herewith without notification or prior agreement.

Material Specification

Properties	Test Method	Values
Polymer	-	EPDM
Hardness (Shore A)	ISO 7619-1	70°
Tensile Strength	ISO 37	7.8MPa
Elongation at Break	ISO 37	340%
Tear Resistance	ISO 34-1	22.18N/mm
Compression Set (22hrs @ 100°C)	ISO 815	23.12%
Low Temperature Ageing Hardness Change (168hrs @ -10°C)	DIN 53505	+4°
Ozone Resistance (72hrs @ 40°C-50pphm)	ISO 1431-1 A	No cracking visible
UV Resistance	ASTM D 1148	No migration
Brittleness Point (24hrs @ -40°C)	ISO 812	No cracking visible
Working Temperature Range	-	-40°C to +120°C
Colour	-	Grey



The information contained on this product information sheet is to be used as guidance. The advice is given in good faith and does not constitute any guarantee or recommendation for suitability. The Rubber Company cannot be held liable for any damage caused by incorrect installation. We hereby reserve the right to change the technical information herewith without notification or prior agreement.