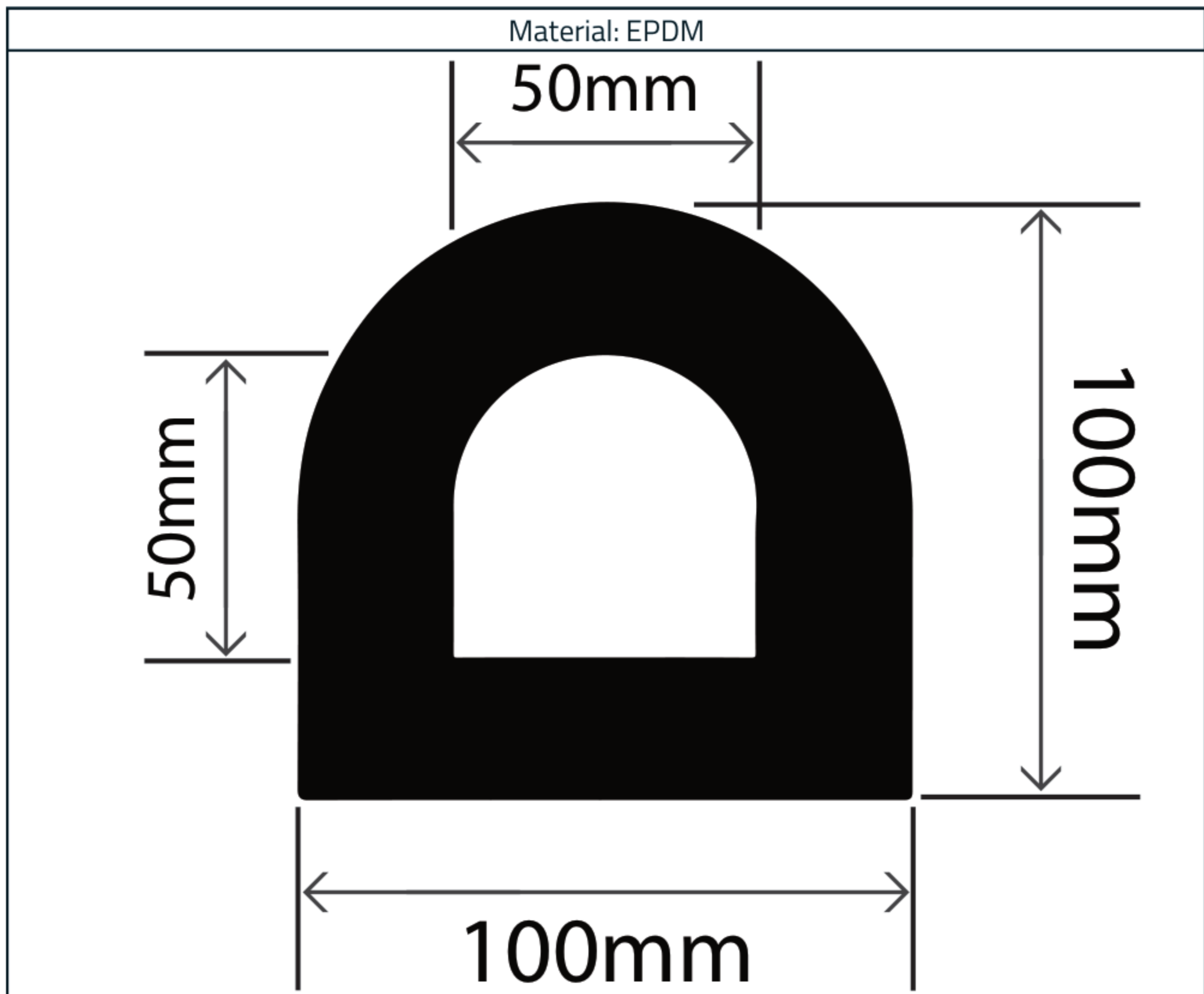


Non-Marking EPDM D Profile - 100mm x 100mm

Product Code: RC0801-100-GRY



Measurements:

| Height | Width |
|--------|-------|
| 100mm | 100mm |

The information contained on this product information sheet is to be used as guidance. The advice is given in good faith and does not constitute any guarantee or recommendation for suitability. The Rubber Company cannot be held liable for any damage caused by incorrect installation. We hereby reserve the right to change the technical information herewith without notification or prior agreement.

Material Specification

| Properties | Test Method | Values |
|---|--------------|---------------------|
| Polymer | - | EPDM |
| Hardness (Shore A) | ISO 7619-1 | 70° |
| Tensile Strength | ISO 37 | 7.8MPa |
| Elongation at Break | ISO 37 | 340% |
| Tear Resistance | ISO 34-1 | 22.18N/mm |
| Compression Set (22hrs @ 100°C) | ISO 815 | 23.12% |
| Low Temperature Ageing Hardness Change (168hrs @ -10°C) | DIN 53505 | +4° |
| Ozone Resistance (72hrs @ 40°C-50pphm) | ISO 1431-1 A | No cracking visible |
| UV Resistance | ASTM D 1148 | No migration |
| Brittleness Point (24hrs @ -40°C) | ISO 812 | No cracking visible |
| Working Temperature Range | - | -40°C to +120°C |
| Colour | - | Grey |



The information contained on this product information sheet is to be used as guidance. The advice is given in good faith and does not constitute any guarantee or recommendation for suitability. The Rubber Company cannot be held liable for any damage caused by incorrect installation. We hereby reserve the right to change the technical information herewith without notification or prior agreement.