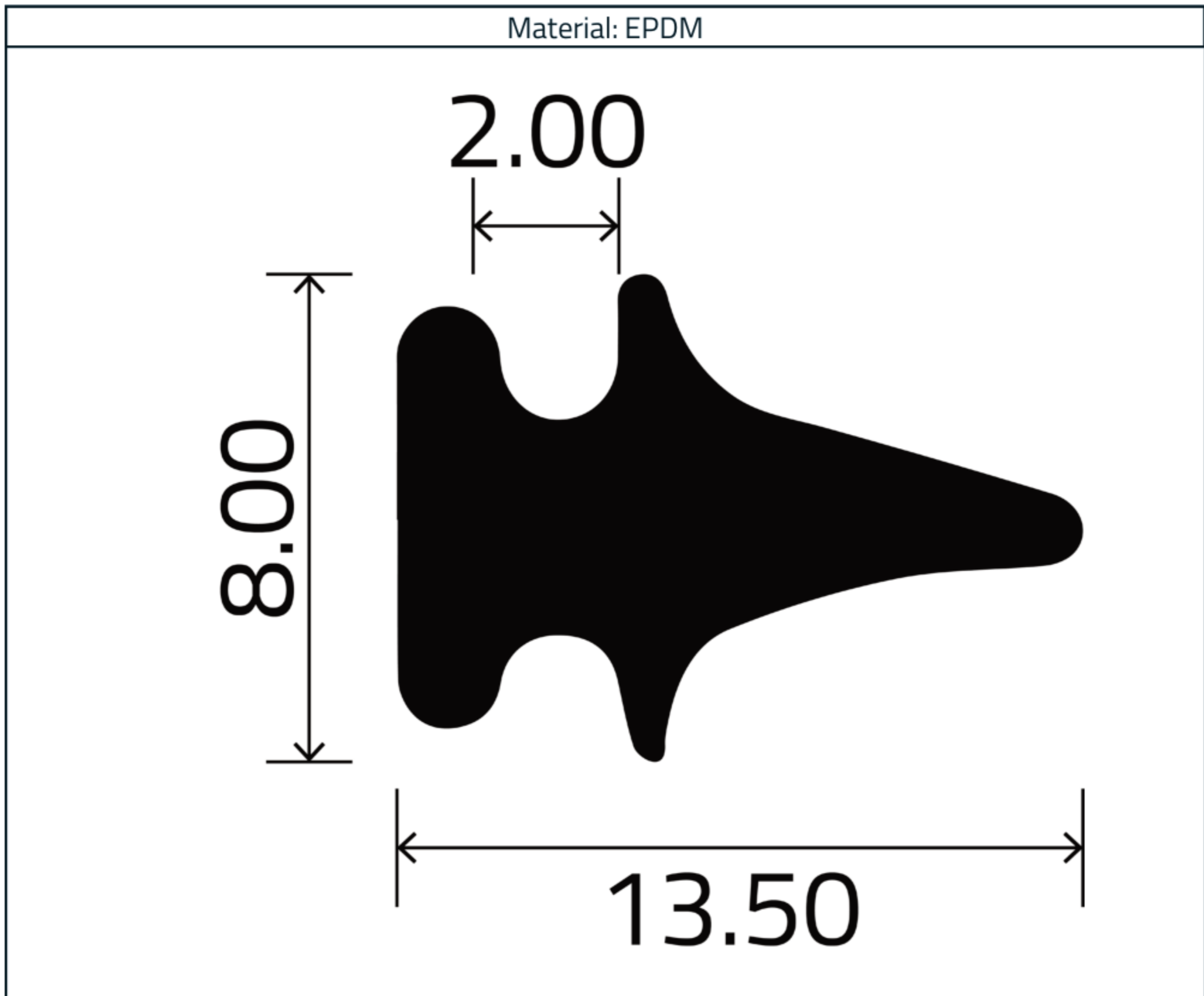


**T Section With Side Slots - 8.00mm x 13.50mm**  
 Product Code: RC0200-I1578



**Measurements:**

| Height | Width   |
|--------|---------|
| 8.00mm | 13.50mm |

The information contained on this product information sheet is to be used as guidance. The advice is given in good faith and does not constitute any guarantee or recommendation for suitability. The Rubber Company cannot be held liable for any damage caused by incorrect installation. We hereby reserve the right to change the technical information herewith without notification or prior agreement.

### Technical Data

| Property                              | Value                         |
|---------------------------------------|-------------------------------|
| <b>Initial Properties</b>             |                               |
| Hardness (Shore A)                    | 75° ± 5                       |
| Density (Specific Gravity)            | 1.28 g/cm <sup>3</sup> ± 0.02 |
| Tensile Strength                      | >6 Mpa                        |
| Elongation at Break                   | >250%                         |
| Compression Set (22hrs @ 70°C)        | 22.5%                         |
| Colour                                | Black                         |
| Max Continuous Length                 | 30 metres                     |
| Weight                                | 0.08kg                        |
| <b>Heat Resistance (70hrs @ 70°C)</b> |                               |
| Change in Shore Hardness              | +5°                           |
| Change in Tensile Strength            | ±10%                          |
| Change in Elongation at Break         | ±15%                          |
| <b>Resistance</b>                     |                               |
| Ozone & Weathering Resistance         | Fair                          |
| Dilute Acid & Bases                   | Fair                          |

T-shaped EPDM rubber strip in black, featuring side slots and measuring approximately 14mm by 10mm, with a base thickness of around 1mm.

Commonly employed as an Aston Martin section (O.E. part number 0-692364), and utilised for sealing in doors, windows, and various other sealing applications within classic cars, buses, caravans, and more.



The information contained on this product information sheet is to be used as guidance. The advice is given in good faith and does not constitute any guarantee or recommendation for suitability. The Rubber Company cannot be held liable for any damage caused by incorrect installation. We hereby reserve the right to change the technical information herewith without notification or prior agreement.