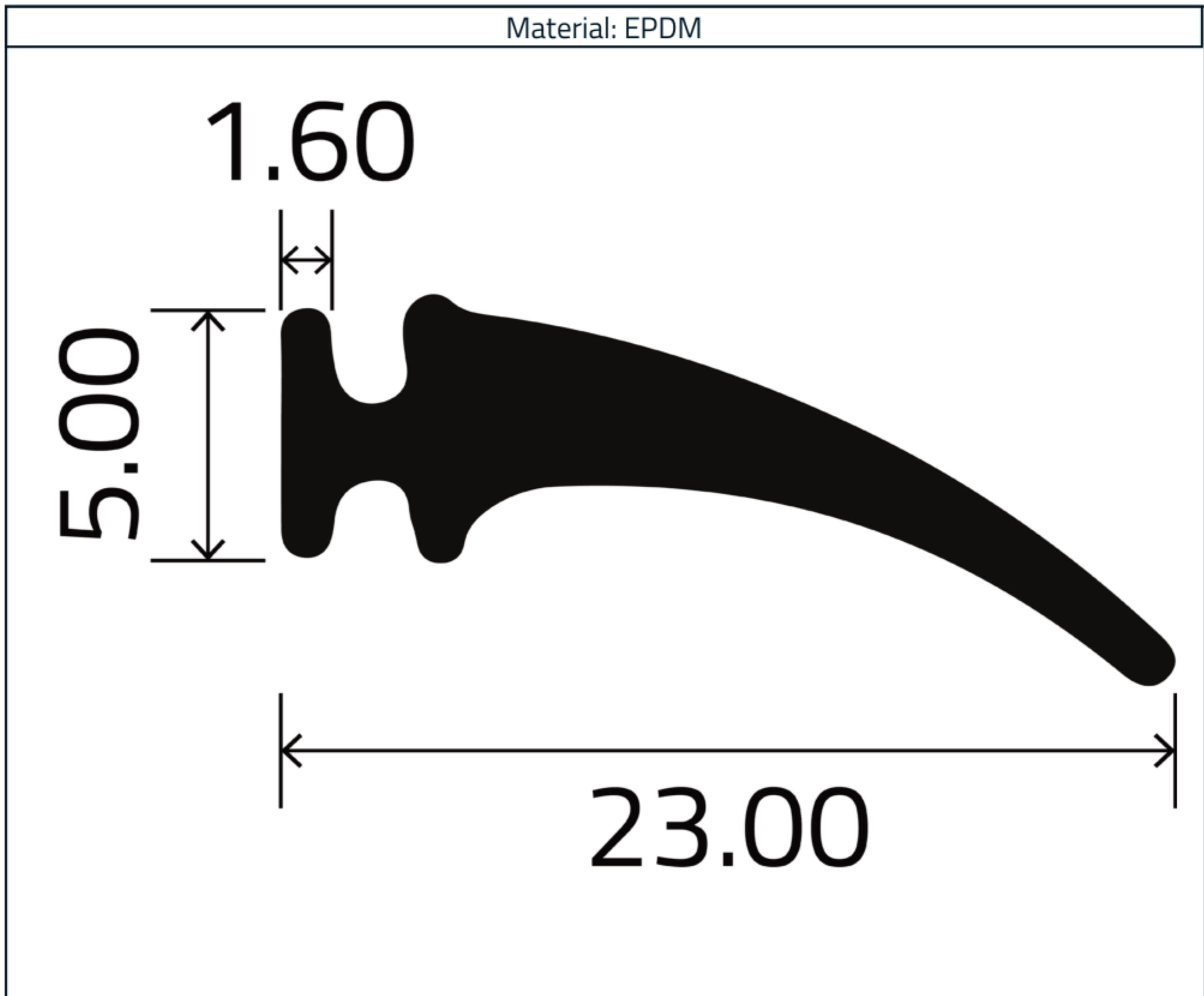


T Section With Wiper - 5mm x 23mm

Product Code: RC0200-10679



Measurements:

Height	Width
5mm	23mm

The information contained on this product information sheet is to be used as guidance. The advice is given in good faith and does not constitute any guarantee or recommendation for suitability. The Rubber Company cannot be held liable for any damage caused by incorrect installation. We hereby reserve the right to change the technical information herewith without notification or prior agreement.

Technical Data

Property	Value
Initial Properties	
Hardness (Shore A)	75° ± 5
Density (Specific Gravity)	1.28 g/cm ³ ± 0.02
Tensile Strength	>6 Mpa
Elongation at Break	>250%
Compression Set (22hrs @ 70°C)	22.5%
Colour	Black
Max Continuous Length	30 metres
Weight	0.09kg
Heat Resistance (70hrs @ 70°C)	
Change in Shore Hardness	+5°
Change in Tensile Strength	±10%
Change in Elongation at Break	±15%
Resistance	
Ozone & Weathering Resistance	Fair
Dilute Acid & Bases	Fair

EPDM T-shaped rubber strip featuring side slots and a wiper, designed to accommodate slots up to 6mm wide. The blade extends approximately 22mm in length.

This component is commonly utilised in sealing applications for doors, windows, and various other purposes across classic cars, buses, caravans, aircraft, trains, marine vessels, and other industrial settings. Identified as the MG section.



The information contained on this product information sheet is to be used as guidance. The advice is given in good faith and does not constitute any guarantee or recommendation for suitability. The Rubber Company cannot be held liable for any damage caused by incorrect installation. We hereby reserve the right to change the technical information herewith without notification or prior agreement.