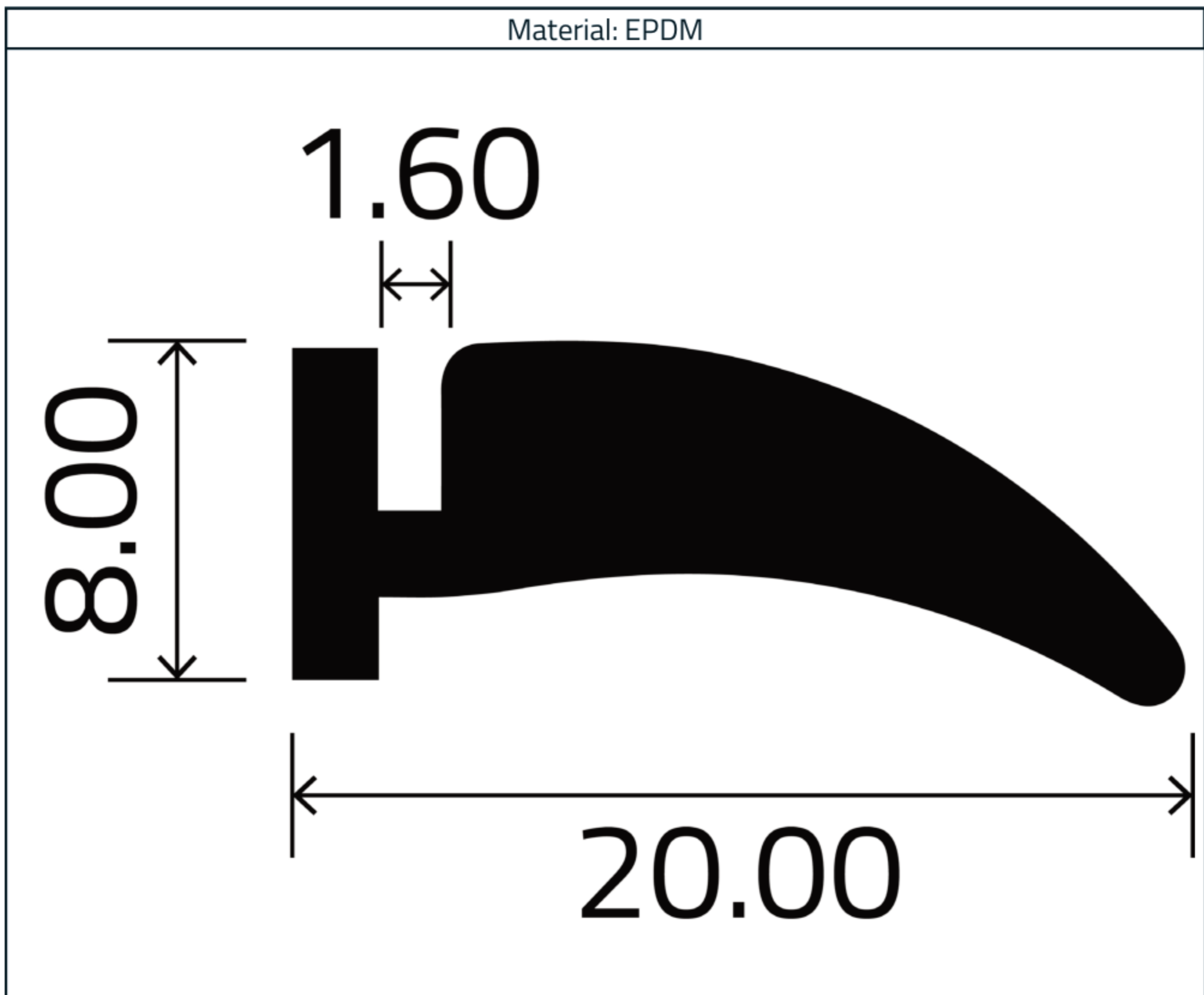


T Section With Wiper - 8.00mm x 20.00mm

Product Code: RC0200-10465



Measurements:

Height	Width
8.00mm	20.00mm

The information contained on this product information sheet is to be used as guidance. The advice is given in good faith and does not constitute any guarantee or recommendation for suitability. The Rubber Company cannot be held liable for any damage caused by incorrect installation. We hereby reserve the right to change the technical information herewith without notification or prior agreement.

Technical Data

Property	Value
Initial Properties	
Hardness (Shore A)	75° ± 5
Density (Specific Gravity)	1.28 g/cm ³ ± 0.02
Tensile Strength	>6 Mpa
Elongation at Break	>250%
Compression Set (22hrs @ 70°C)	22.5%
Colour	Black
Max Continuous Length	30 metres
Weight	0.13kg
Heat Resistance (70hrs @ 70°C)	
Change in Shore Hardness	+5°
Change in Tensile Strength	±10%
Change in Elongation at Break	±15%
Resistance	
Ozone & Weathering Resistance	Fair
Dilute Acid & Bases	Fair

T-shaped EPDM rubber strip in black, featuring a flat base and a wiper piece, with a base width of around 8mm and an overall size of approximately 20mm by 10mm.

Primarily employed for the Rolls Royce Phantom 3 windscreen seal, as well as for sealing doors, windows, and various other applications requiring effective sealing.



The information contained on this product information sheet is to be used as guidance. The advice is given in good faith and does not constitute any guarantee or recommendation for suitability. The Rubber Company cannot be held liable for any damage caused by incorrect installation. We hereby reserve the right to change the technical information herewith without notification or prior agreement.