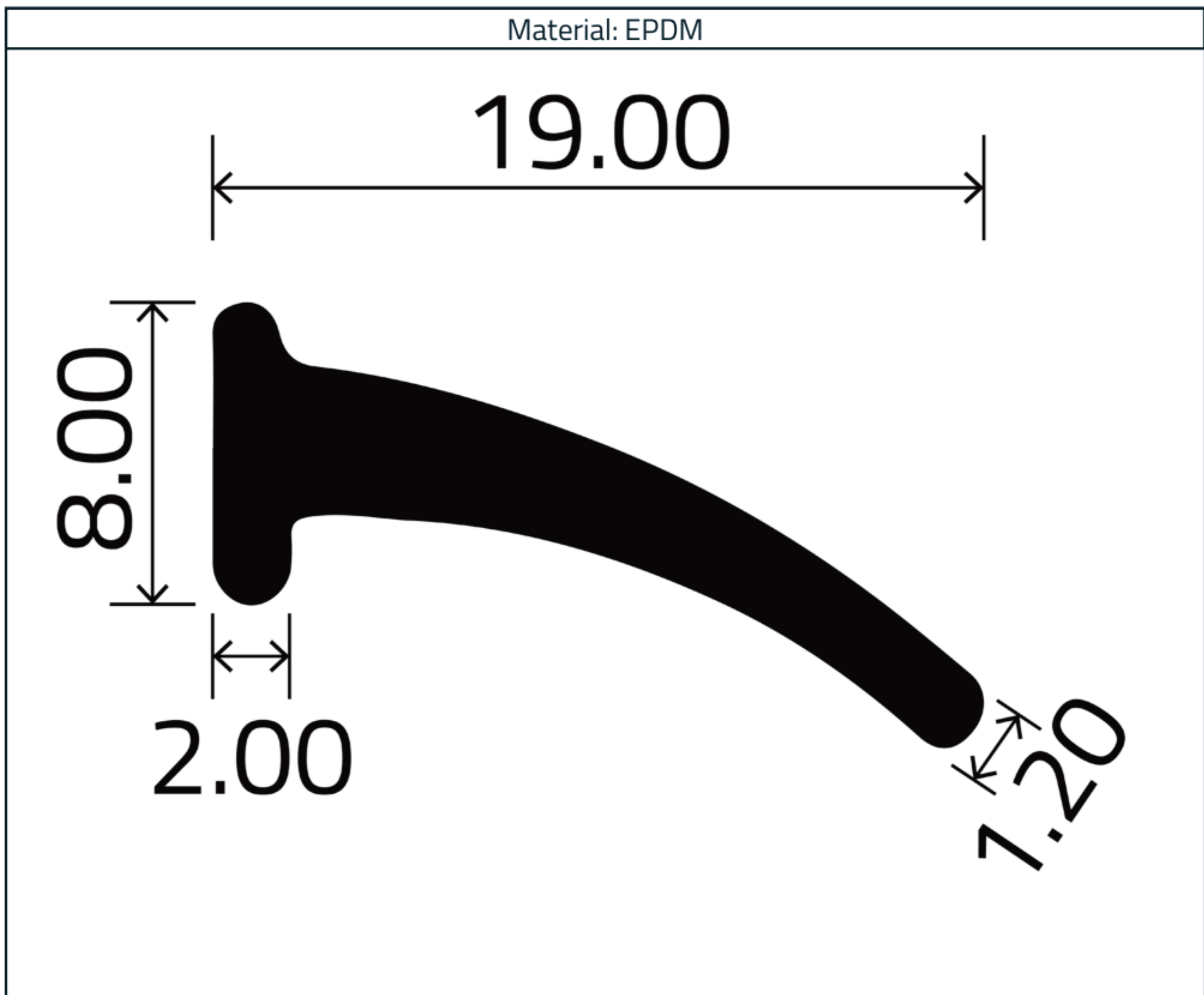


T Section - 8mm x 19mm

Product Code: RC0200-10040



Measurements:

Height	Width
8mm	19mm

The information contained on this product information sheet is to be used as guidance. The advice is given in good faith and does not constitute any guarantee or recommendation for suitability. The Rubber Company cannot be held liable for any damage caused by incorrect installation. We hereby reserve the right to change the technical information herewith without notification or prior agreement.

Technical Data

Property	Value
Initial Properties	
Hardness (Shore A)	75° ± 5
Density (Specific Gravity)	1.28 g/cm ³ ± 0.02
Tensile Strength	>6 Mpa
Elongation at Break	>250%
Compression Set (22hrs @ 70°C)	22.5%
Colour	Black
Max Continuous Length	30 metres
Weight	0.08kg
Heat Resistance (70hrs @ 70°C)	
Change in Shore Hardness	+5°
Change in Tensile Strength	±10%
Change in Elongation at Break	±15%
Resistance	
Ozone & Weathering Resistance	Fair
Dilute Acid & Bases	Fair

T-section made of black EPDM rubber, measuring approximately 10mm in width and 18mm in height. The upright width tapers from about 3mm to 1mm.

This component finds application in sealing doors, windows, and various other areas within classic cars, buses, caravans, aircraft, trains, marine vessels, and diverse industrial sectors.



The information contained on this product information sheet is to be used as guidance. The advice is given in good faith and does not constitute any guarantee or recommendation for suitability. The Rubber Company cannot be held liable for any damage caused by incorrect installation. We hereby reserve the right to change the technical information herewith without notification or prior agreement.