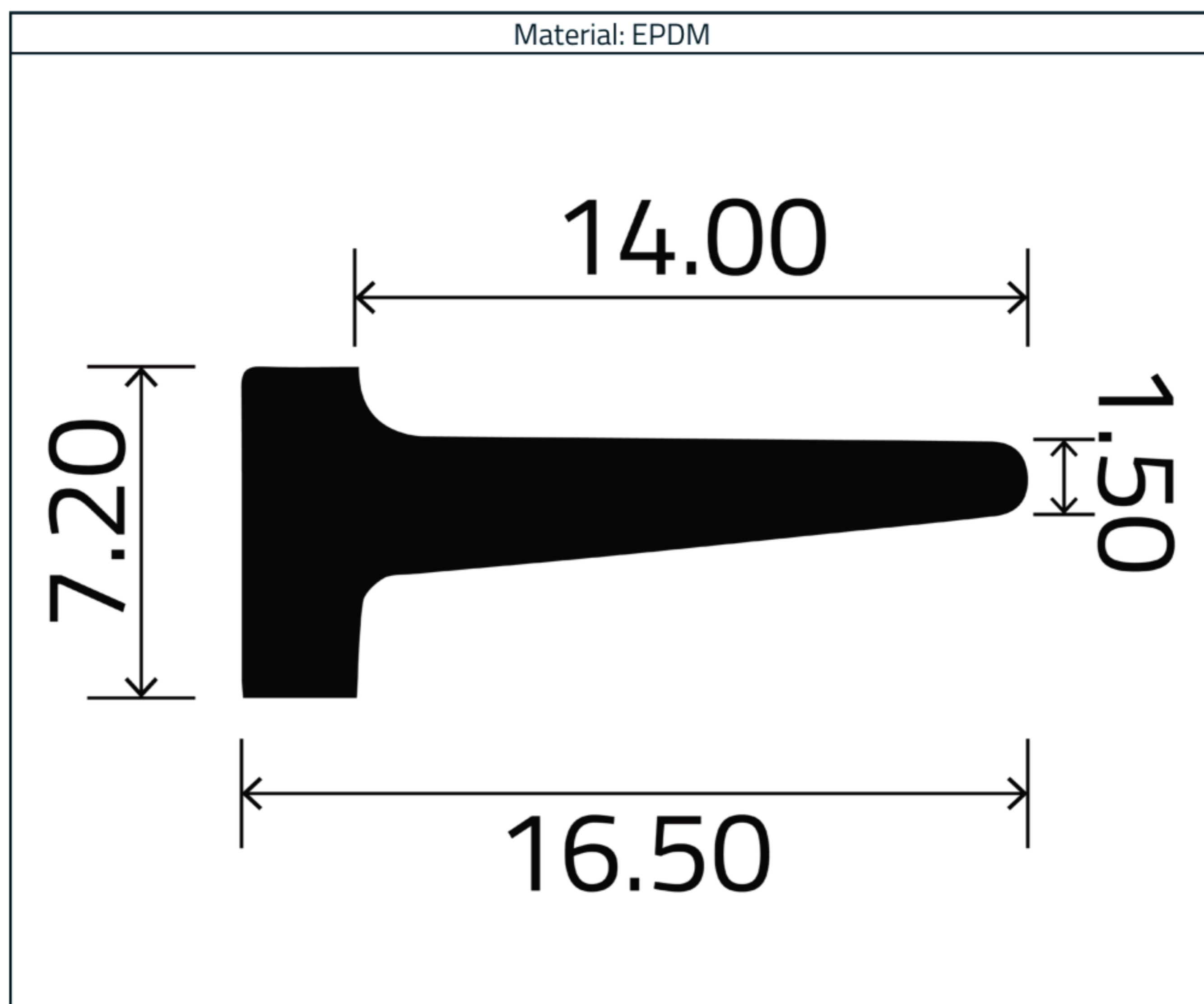


**T Section - 7.20mm x 16.50mm**

Product Code: RC0200-I0038



**Measurements:**

Height	Width
7.20mm	16.50mm

The information contained on this product information sheet is to be used as guidance. The advice is given in good faith and does not constitute any guarantee or recommendation for suitability. The Rubber Company cannot be held liable for any damage caused by incorrect installation. We hereby reserve the right to change the technical information herewith without notification or prior agreement.

### Technical Data

Property	Value
<b>Initial Properties</b>	
Hardness (Shore A)	75° ± 5
Density (Specific Gravity)	1.28 g/cm <sup>3</sup> ± 0.02
Tensile Strength	>6 Mpa
Elongation at Break	>250%
Compression Set (22hrs @ 70°C)	22.5%
Colour	Black
Max Continuous Length	30 metres
Weight	0.07kg
<b>Heat Resistance (70hrs @ 70°C)</b>	
Change in Shore Hardness	+5°
Change in Tensile Strength	±10%
Change in Elongation at Break	±15%
<b>Resistance</b>	
Ozone & Weathering Resistance	Fair
Dilute Acid & Bases	Fair

T-shaped EPDM rubber strip in black, measuring around 8mm in width and 16mm in height. The upright width tapers from approximately 3mm to 2mm.

Applied in sealing doors, windows, and various other sealing applications across classic cars, buses, caravans, aircraft, trains, marine vessels, and multiple industries.



The information contained on this product information sheet is to be used as guidance. The advice is given in good faith and does not constitute any guarantee or recommendation for suitability. The Rubber Company cannot be held liable for any damage caused by incorrect installation. We hereby reserve the right to change the technical information herewith without notification or prior agreement.