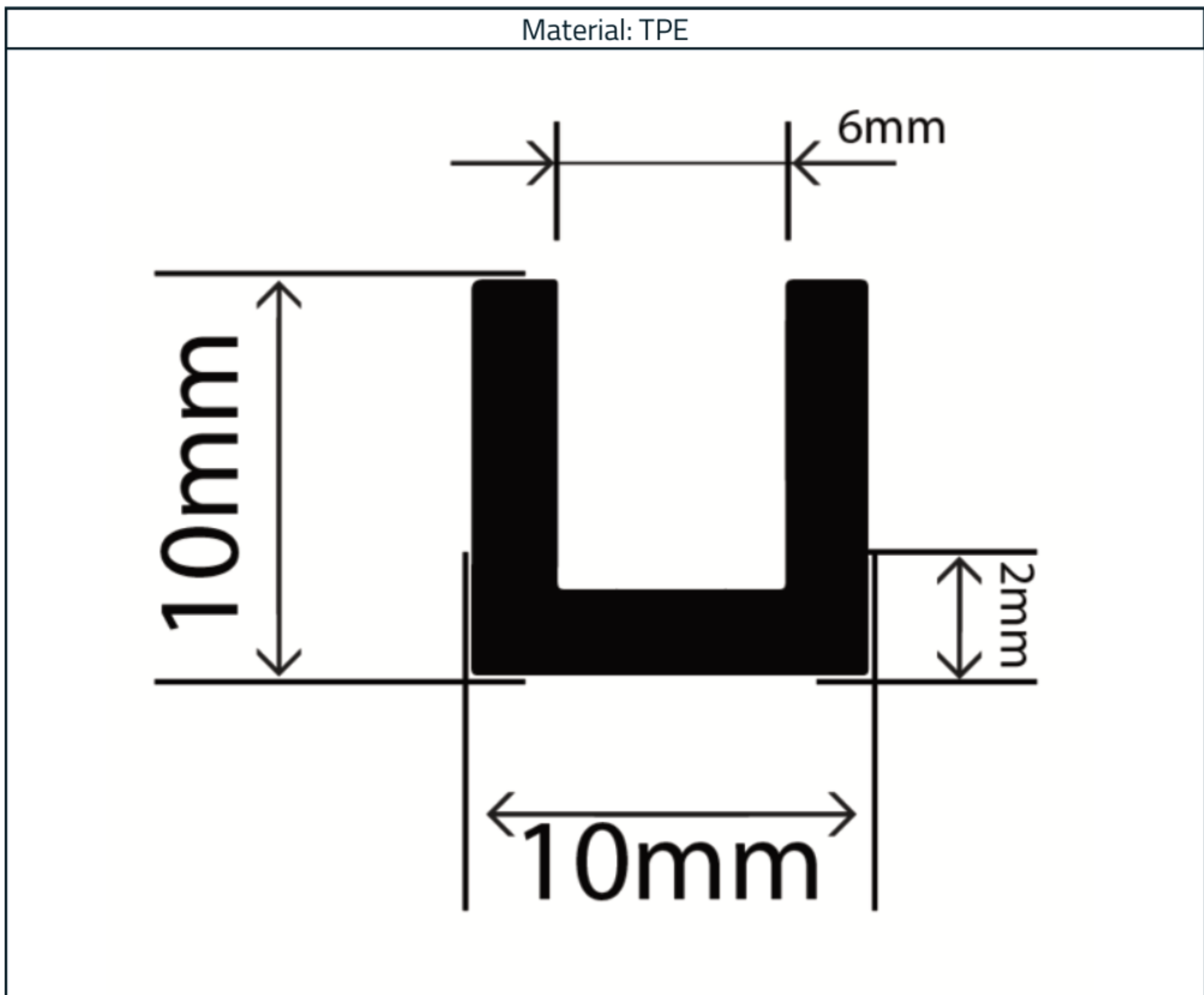


## TPE Square U Channel - 10mm x 10mm

Product Code: RC149



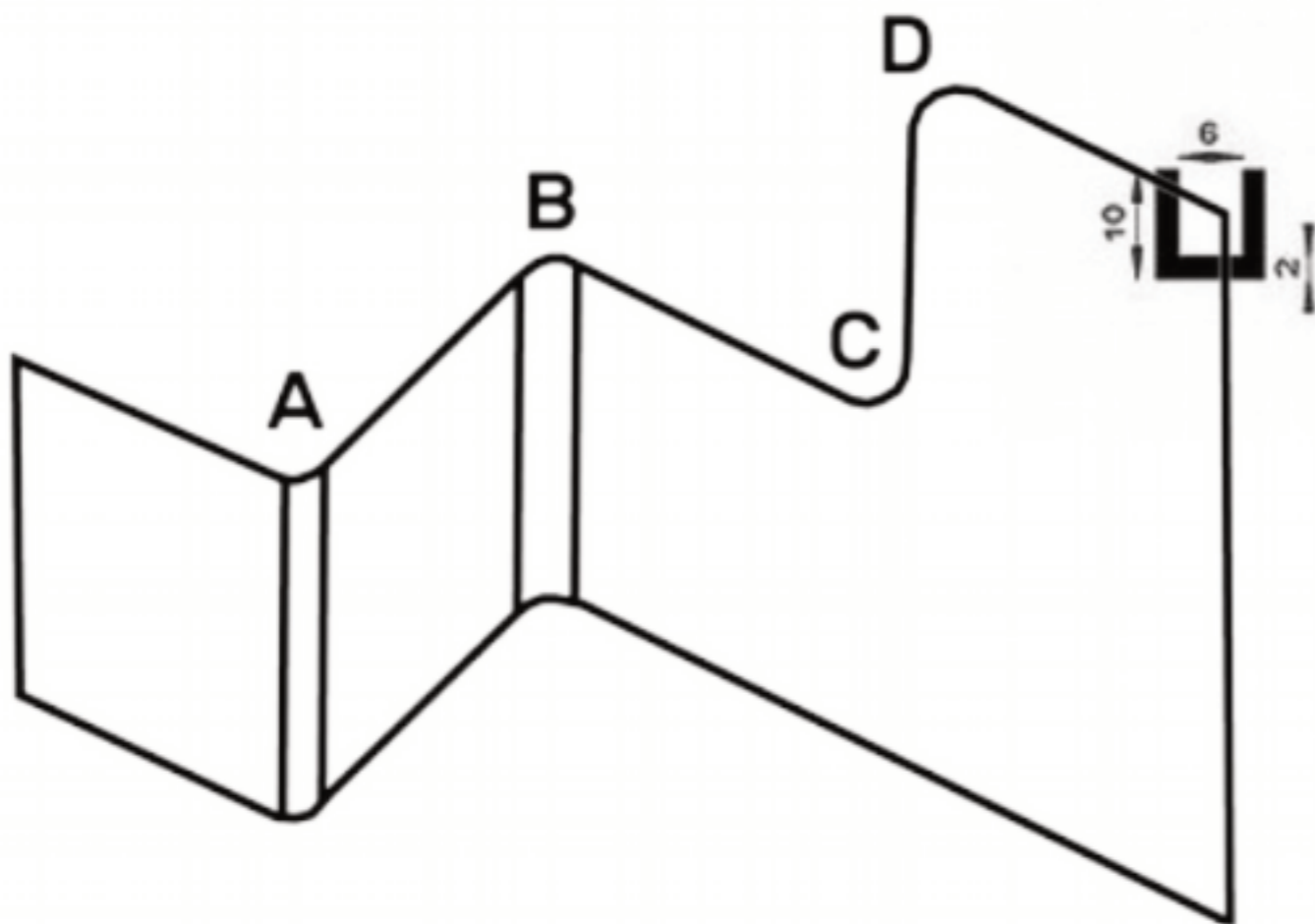
### Measurements:

| Height | Width |
|--------|-------|
| 10mm   | 10mm  |

The information contained on this product information sheet is to be used as guidance. The advice is given in good faith and does not constitute any guarantee or recommendation for suitability. The Rubber Company cannot be held liable for any damage caused by incorrect installation. We hereby reserve the right to change the technical information herewith without notification or prior agreement.

### Technical Data

| Property                      | Test Method | Value |
|-------------------------------|-------------|-------|
| Shore Hardness                | Shore A     | 67    |
| Weight Per Metre              | (gr)        | 63    |
| Packaging Length              | Metres      | 25    |
| Minimum Operating Temperature | °C          | -40   |
| Maximum Operating Temperature | °C          | +90   |
| Sheet Thickness               | mm          | 6.0   |
| Minimum Bending Radius A      | mm          | 150.0 |
| Minimum Bending Radius B      | mm          | 150.0 |
| Minimum Bending Radius C      | mm          | 100.0 |
| Minimum Bending Radius D      | mm          | 400.0 |
| Bending Radius Thickness      | mm          | 6.0   |



The information contained on this product information sheet is to be used as guidance. The advice is given in good faith and does not constitute any guarantee or recommendation for suitability. The Rubber Company cannot be held liable for any damage caused by incorrect installation. We hereby reserve the right to change the technical information herewith without notification or prior agreement.