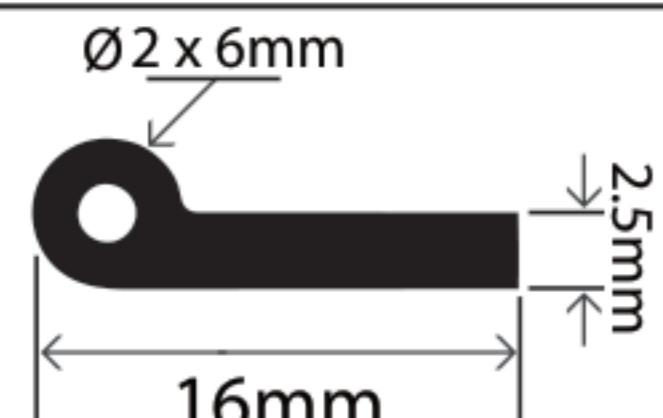
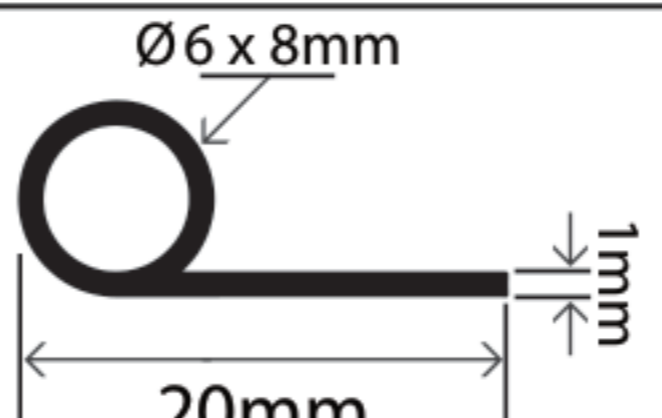
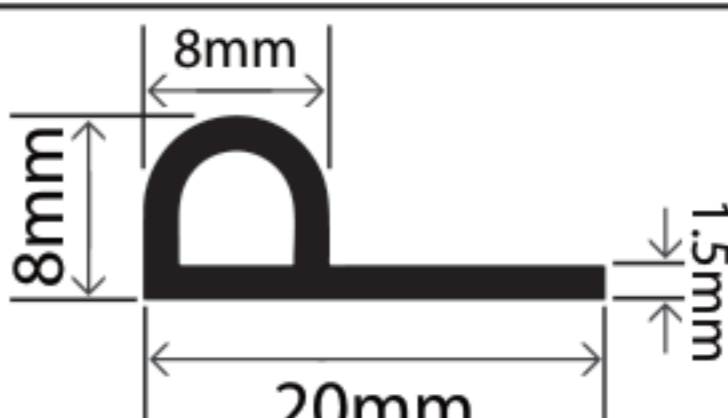
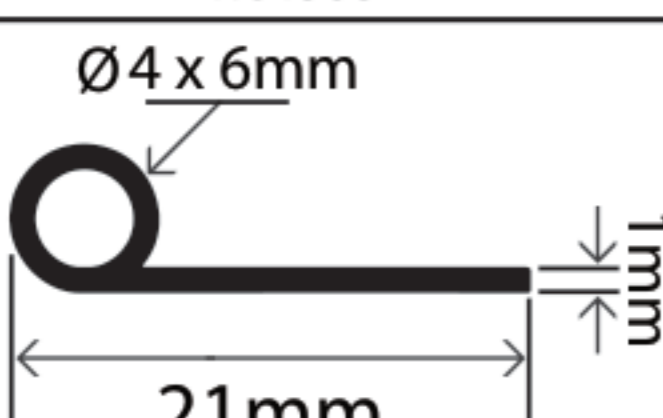


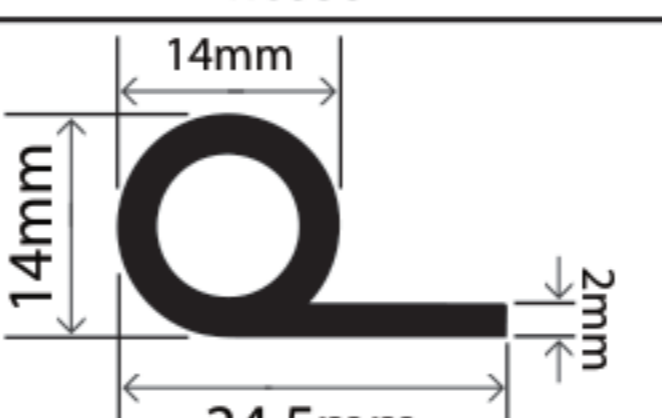
### TPE Rubber P/Bead Profiles

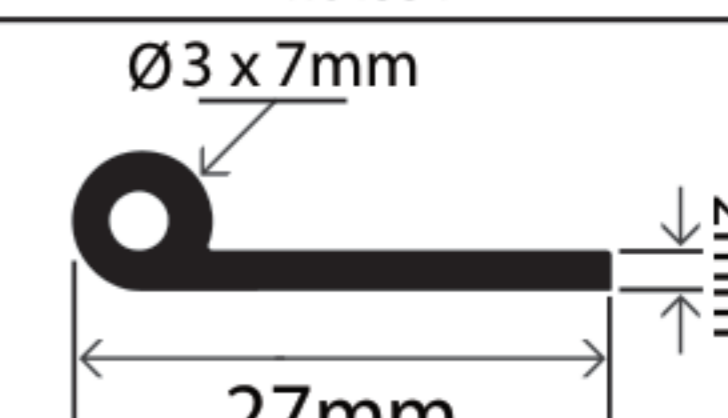
RC4333			
			
Width (mm)	Thickness (mm)	Bead O/D (mm)	Bead I/D (mm)
16	2.5	6	2

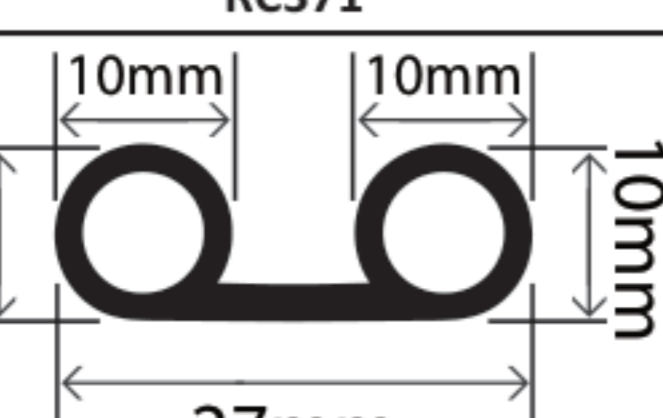
RC1735			
			
Width (mm)	Thickness (mm)	Bead O/D (mm)	Bead I/D (mm)
20	1	8	6

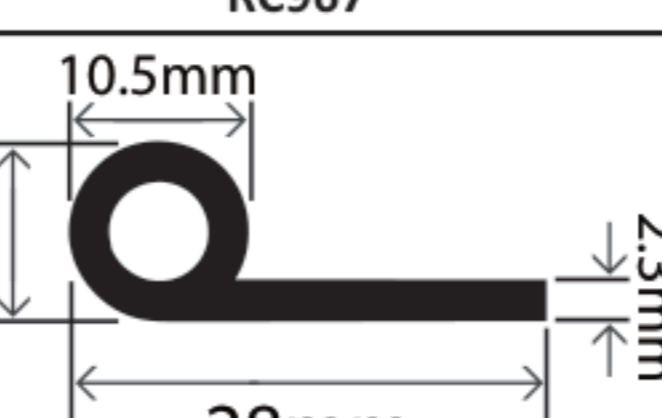
RC3076			
			
Width (mm)	Thickness (mm)	Bead O/D (mm)	Bead I/D (mm)
20	1.5	8	5

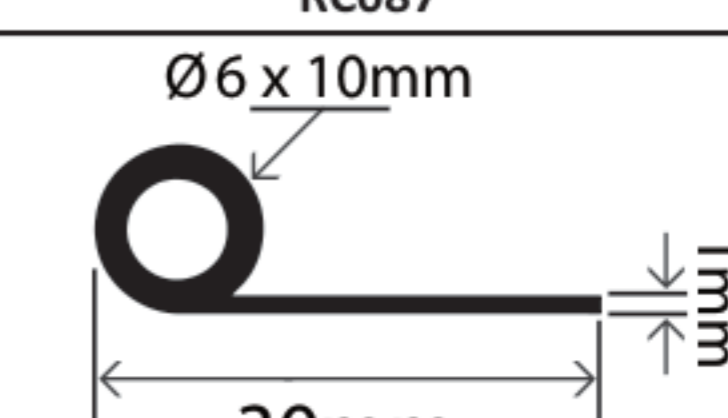
RC4308			
			
Width (mm)	Thickness (mm)	Bead O/D (mm)	Bead I/D (mm)
21	1	6	4

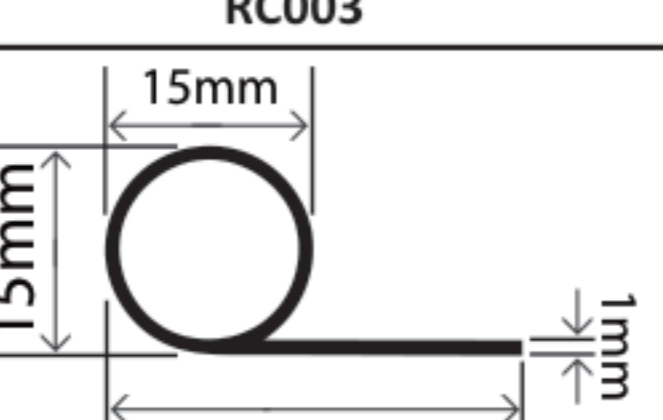
RC858			
			
Width (mm)	Thickness (mm)	Bead O/D (mm)	Bead I/D (mm)
24.5	2	14	10

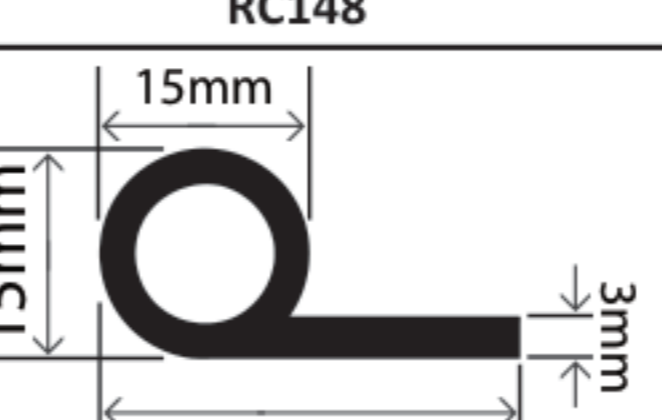
RC4334			
			
Width (mm)	Thickness (mm)	Bead O/D (mm)	Bead I/D (mm)
27	2	7	3

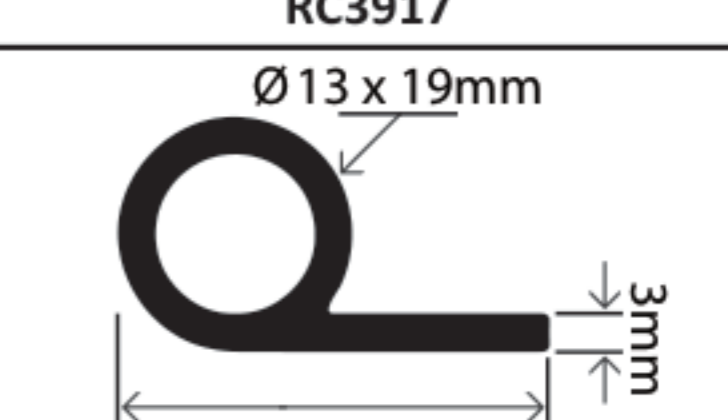
RC371			
			
Width (mm)	Thickness (mm)	Bead O/D (mm)	Bead I/D (mm)
27	-	10	-

RC967			
			
Width (mm)	Thickness (mm)	Bead O/D (mm)	Bead I/D (mm)
28	2.3	10.5	5.9

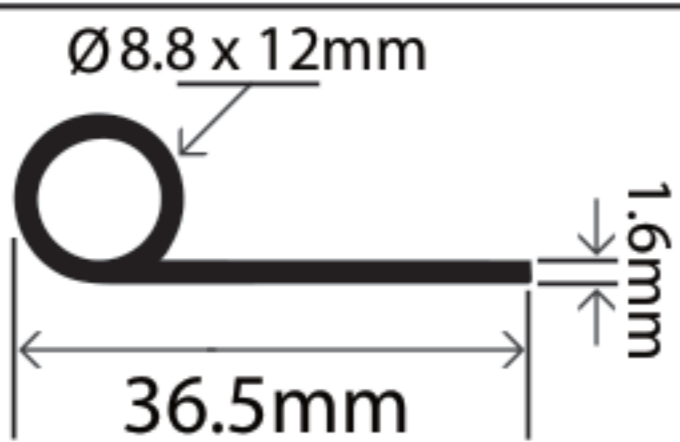
RC087			
			
Width (mm)	Thickness (mm)	Bead O/D (mm)	Bead I/D (mm)
30	1	10	6

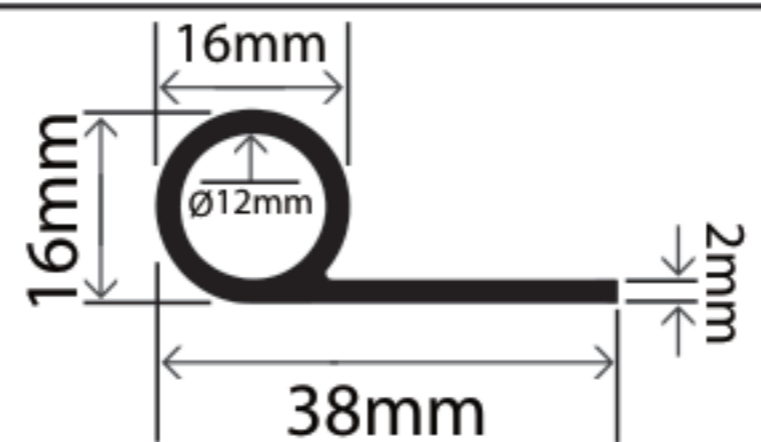
RC003			
			
Width (mm)	Thickness (mm)	Bead O/D (mm)	Bead I/D (mm)
30	1	15	13

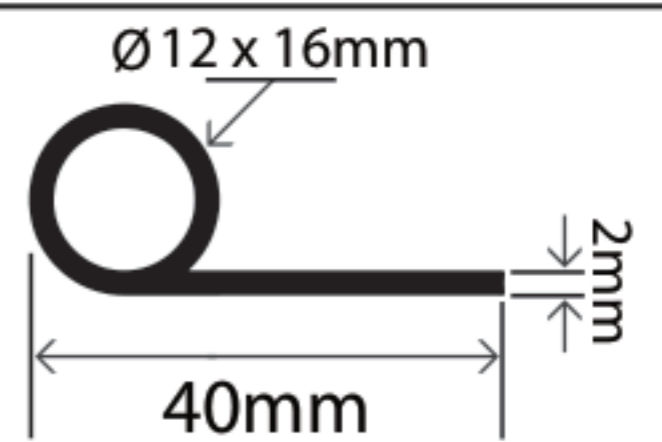
RC148			
			
Width (mm)	Thickness (mm)	Bead O/D (mm)	Bead I/D (mm)
30	3	15	9

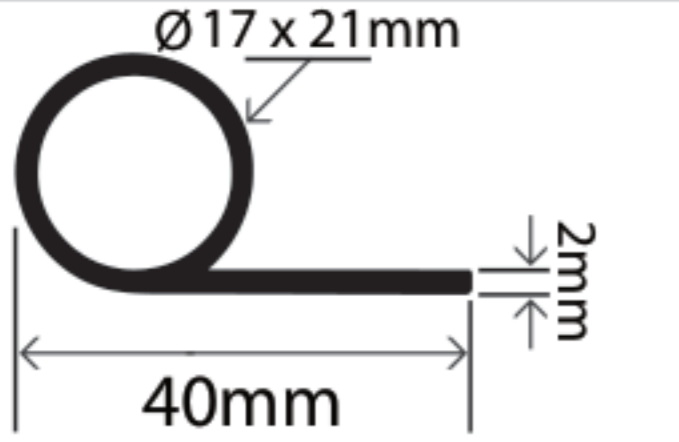
RC3917			
			
Width (mm)	Thickness (mm)	Bead O/D (mm)	Bead I/D (mm)
35	3	19	13

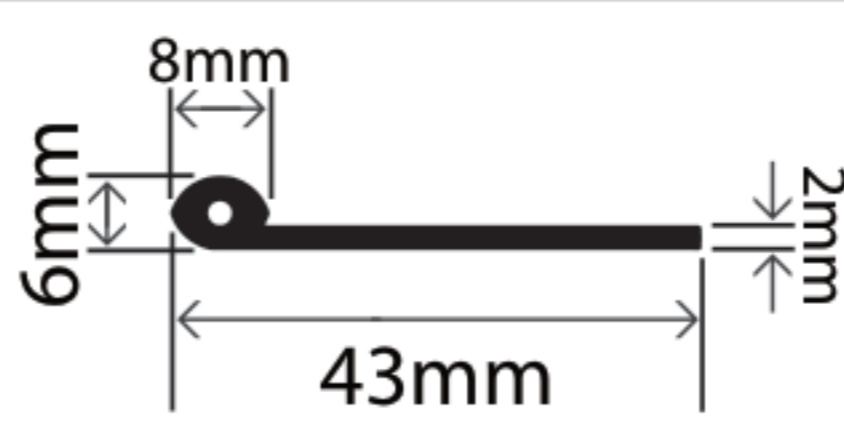
### TPE Rubber P/Bead Profiles

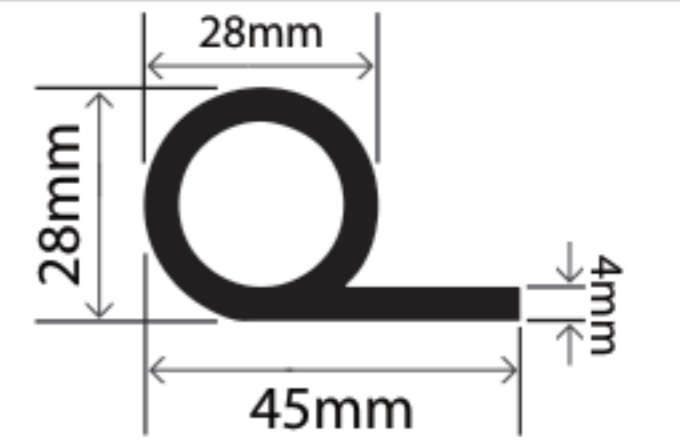
RC4309			
			
Width (mm)	Thickness (mm)	Bead O/D (mm)	Bead I/D (mm)
36.5	1.6	12	8.8

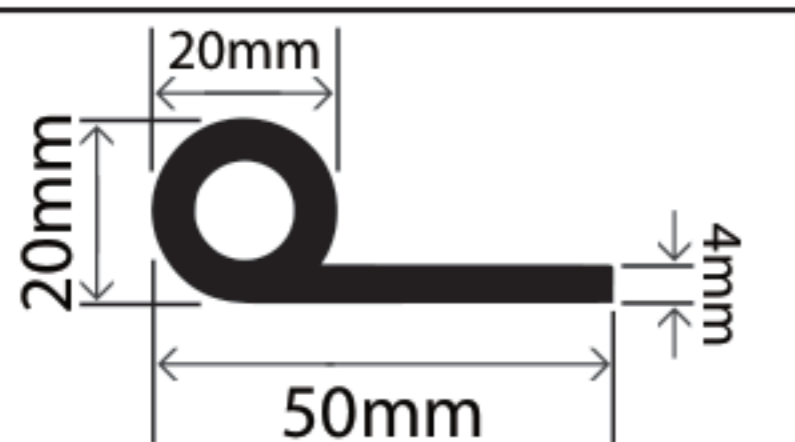
RC3745			
			
Width (mm)	Thickness (mm)	Bead O/D (mm)	Bead I/D (mm)
38	2	16	12

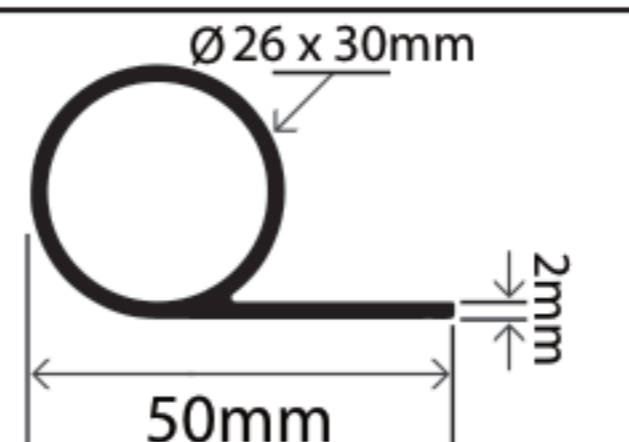
RC4367			
			
Width (mm)	Thickness (mm)	Bead O/D (mm)	Bead I/D (mm)
40	2	16	12

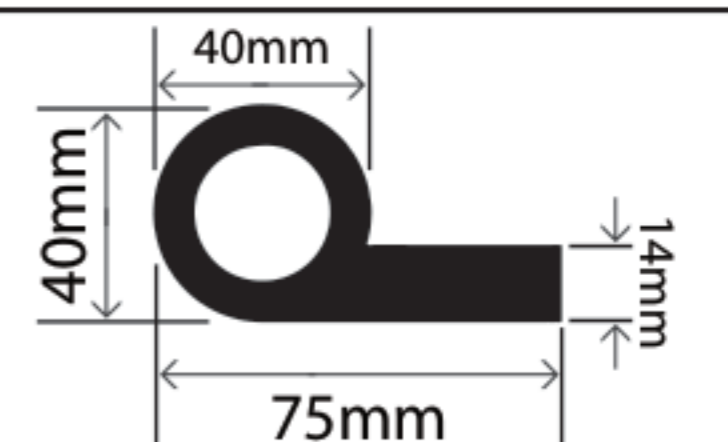
RC2481			
			
Width (mm)	Thickness (mm)	Bead O/D (mm)	Bead I/D (mm)
40	2	21	17

RC1387			
			
Width (mm)	Thickness (mm)	Bead O/D (mm)	Bead I/D (mm)
43	2	8 x 6	1

RC586			
			
Width (mm)	Thickness (mm)	Bead O/D (mm)	Bead I/D (mm)
45	4	28	20

RC242			
			
Width (mm)	Thickness (mm)	Bead O/D (mm)	Bead I/D (mm)
50	4	20	12

RC1316			
			
Width (mm)	Thickness (mm)	Bead O/D (mm)	Bead I/D (mm)
50	2	30	26

RC767			
			
Width (mm)	Thickness (mm)	Bead O/D (mm)	Bead I/D (mm)
75	14	40	25