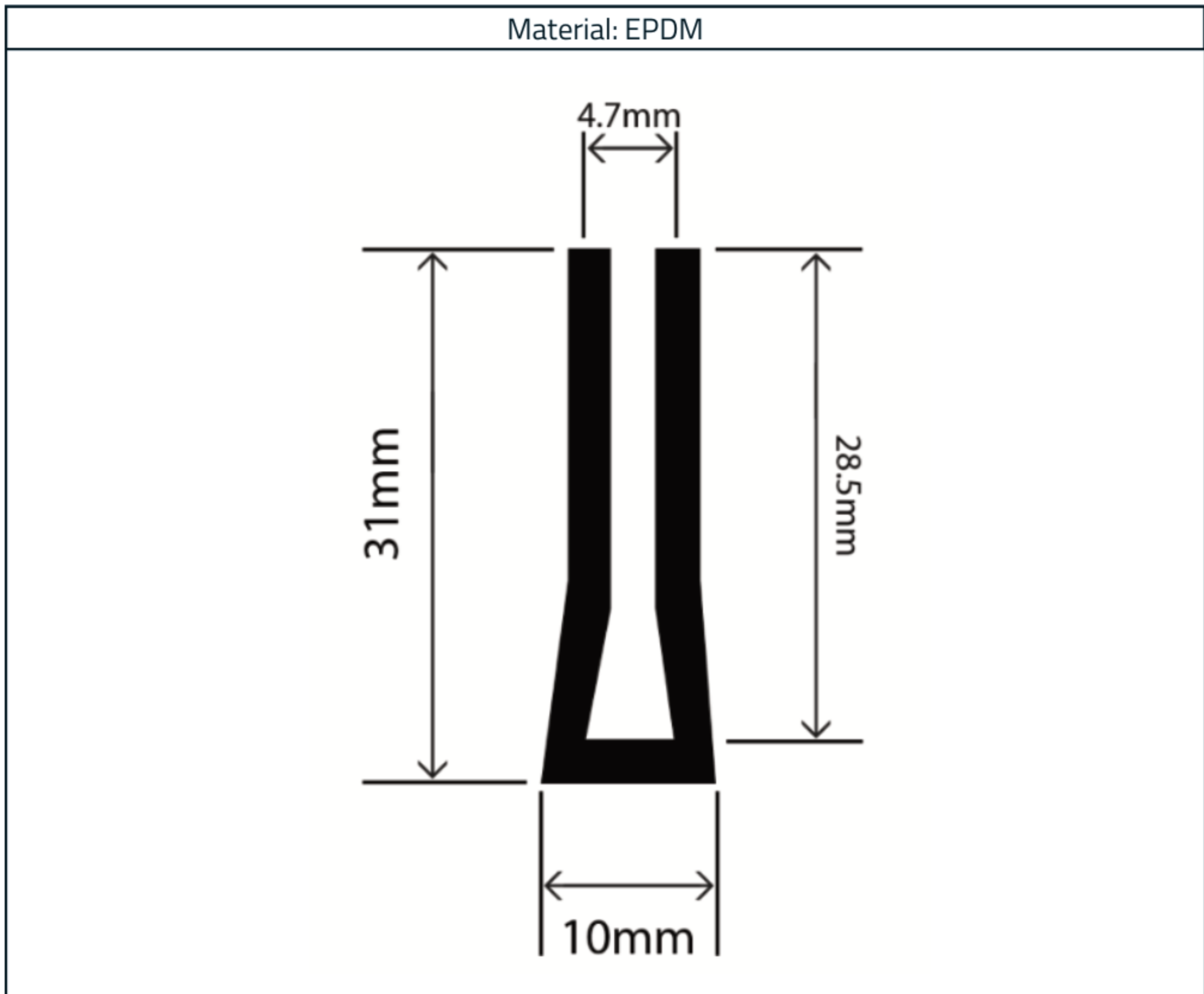


Square U Channel Profile - 31mm x 10mm

Product Code: RC-I0883



Measurements:

Height	Width
31mm	10mm

The information contained on this product information sheet is to be used as guidance. The advice is given in good faith and does not constitute any guarantee or recommendation for suitability. The Rubber Company cannot be held liable for any damage caused by incorrect installation. We hereby reserve the right to change the technical information herewith without notification or prior agreement.

Technical Data

Property	Value
Initial Properties	
Hardness (Shore A)	75° ± 5
Density (Specific Gravity)	1.28 g/cm ³ ± 0.02
Tensile Strength	>6 Mpa
Elongation at Break	>250%
Compression Set (22hrs @ 70°C)	22.5%
Colour	Black
Max Continuous Length	30 metres
Weight	0.23kg
Heat Resistance (70hrs @ 70°C)	
Change in Shore Hardness	+5°
Change in Tensile Strength	±10%
Change in Elongation at Break	±15%
Resistance	
Ozone & Weathering Resistance	Fair
Dilute Acid & Bases	Fair

The black EPDM square channel/edge trim, with a channel width of approximately 4mm and an overall size measuring about 9mm wide by 32mm high, serves as versatile functionality. Employed for aesthetic edge trimming, functioning as a glazing channel, and providing protective edging, it finds application across various industries, including classic cars, buses, caravans, air, rail, marine, and numerous other industrial sectors.



The information contained on this product information sheet is to be used as guidance. The advice is given in good faith and does not constitute any guarantee or recommendation for suitability. The Rubber Company cannot be held liable for any damage caused by incorrect installation. We hereby reserve the right to change the technical information herewith without notification or prior agreement.