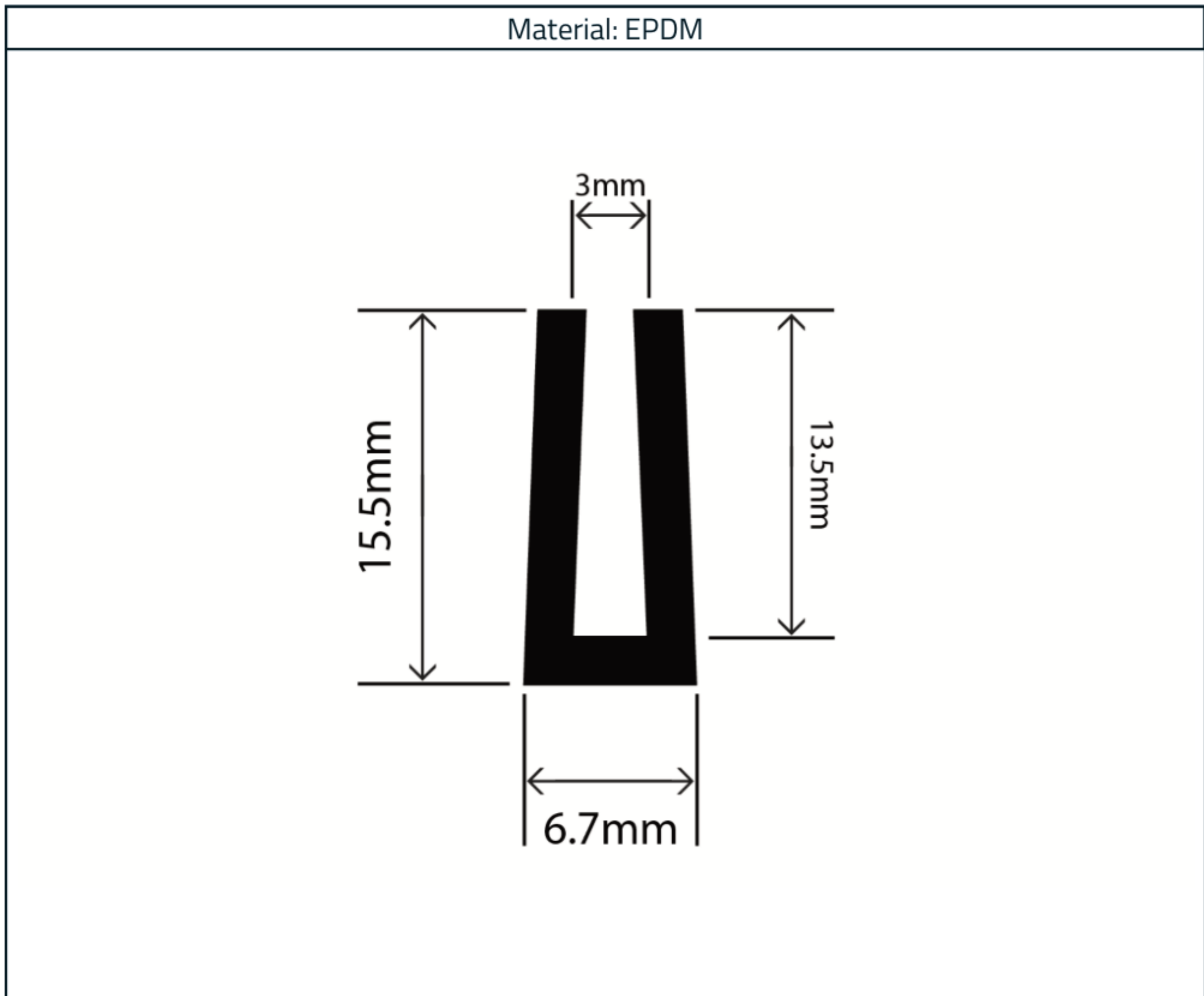


Square U Channel Profile - 15.5mm x 6.7mm

Product Code: RC-I0673



Measurements:

| Height | Width |
|--------|-------|
| 15.5mm | 6.7mm |

The information contained on this product information sheet is to be used as guidance. The advice is given in good faith and does not constitute any guarantee or recommendation for suitability. The Rubber Company cannot be held liable for any damage caused by incorrect installation. We hereby reserve the right to change the technical information herewith without notification or prior agreement.

Technical Data

| Property | Value |
|---------------------------------------|-------------------------------|
| Initial Properties | |
| Hardness (Shore A) | 75° ± 5 |
| Density (Specific Gravity) | 1.28 g/cm ³ ± 0.02 |
| Tensile Strength | >6 Mpa |
| Elongation at Break | >250% |
| Compression Set (22hrs @ 70°C) | 22.5% |
| Colour | Black |
| Max Continuous Length | 30 metres |
| Weight | 0.1kg |
| Heat Resistance (70hrs @ 70°C) | |
| Change in Shore Hardness | +5° |
| Change in Tensile Strength | ±10% |
| Change in Elongation at Break | ±15% |
| Resistance | |
| Ozone & Weathering Resistance | Fair |
| Dilute Acid & Bases | Fair |

Black EPDM square channel designed for compatibility with 3mm panels. With an overall size of approximately 7mm wide by 15mm deep, it serves as aesthetic edge trimming, a glazing channel, and a protective edge across various industries including classic cars, buses, caravans, air, rail, marine, and other sectors.



The information contained on this product information sheet is to be used as guidance. The advice is given in good faith and does not constitute any guarantee or recommendation for suitability. The Rubber Company cannot be held liable for any damage caused by incorrect installation. We hereby reserve the right to change the technical information herewith without notification or prior agreement.