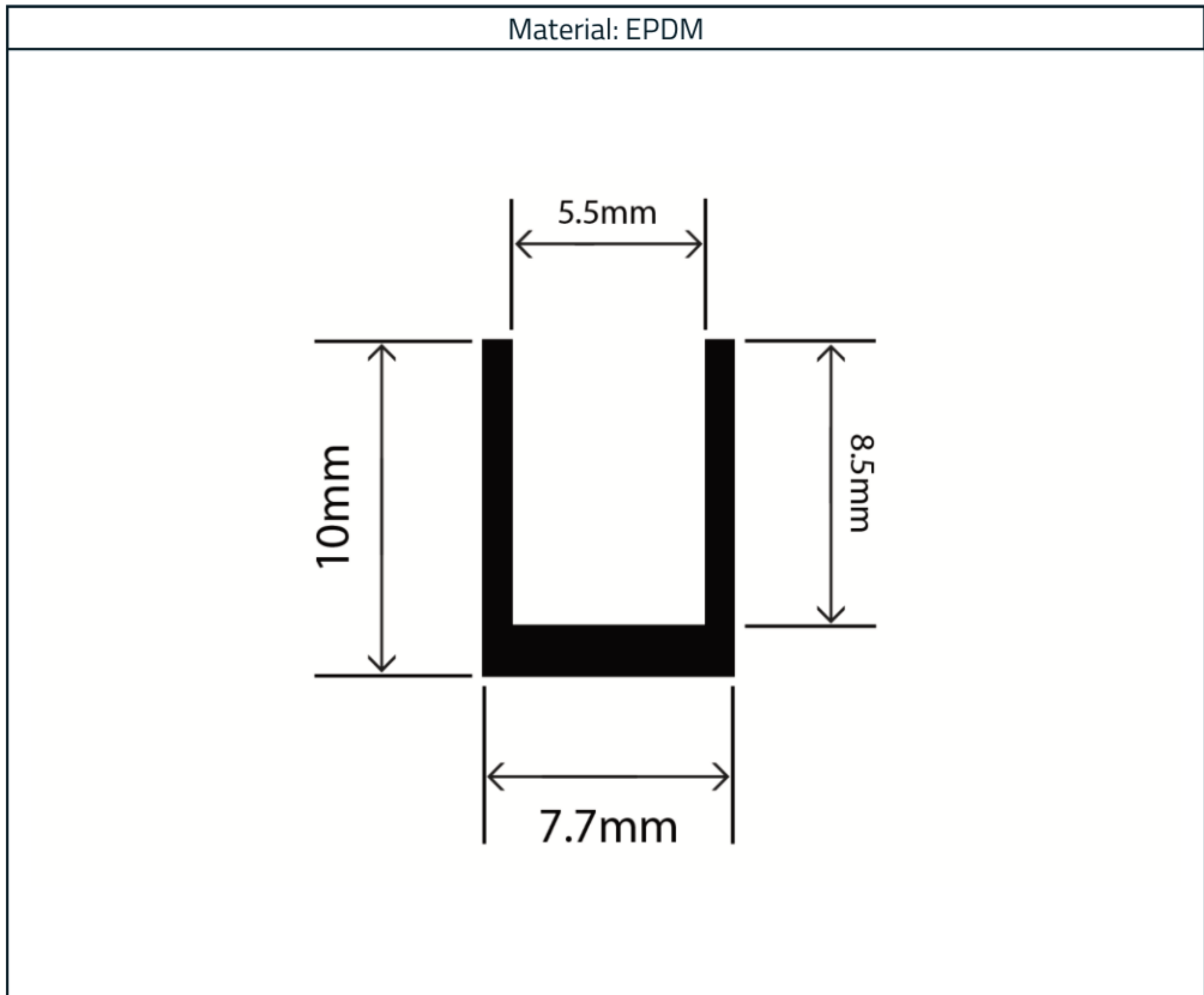


## Square U Channel Profile - 10mm x 7.7mm

Product Code: RC-I0506



### Measurements:

Height	Width
10mm	7.7mm

The information contained on this product information sheet is to be used as guidance. The advice is given in good faith and does not constitute any guarantee or recommendation for suitability. The Rubber Company cannot be held liable for any damage caused by incorrect installation. We hereby reserve the right to change the technical information herewith without notification or prior agreement.

### Technical Data

Property	Value
<b>Initial Properties</b>	
Hardness (Shore A)	75° ± 5
Density (Specific Gravity)	1.28 g/cm <sup>3</sup> ± 0.02
Tensile Strength	>6 Mpa
Elongation at Break	>250%
Compression Set (22hrs @ 70°C)	22.5%
Colour	Black
Max Continuous Length	30 metres
Weight	0.04kg
<b>Heat Resistance (70hrs @ 70°C)</b>	
Change in Shore Hardness	+5°
Change in Tensile Strength	±10%
Change in Elongation at Break	±15%
<b>Resistance</b>	
Ozone & Weathering Resistance	Fair
Dilute Acid & Bases	Fair

The black EPDM square channel/edge trim profile, suitable for up to 4.75mm glass/panel, boasts an overall size of approximately 8mm wide by 10mm high. Its versatile application includes use as aesthetic edge trimming, a glazing channel, and a protective edge across various industries and applications such as classic cars, buses, caravans, air, rail, marine, and more.



The information contained on this product information sheet is to be used as guidance. The advice is given in good faith and does not constitute any guarantee or recommendation for suitability. The Rubber Company cannot be held liable for any damage caused by incorrect installation. We hereby reserve the right to change the technical information herewith without notification or prior agreement.