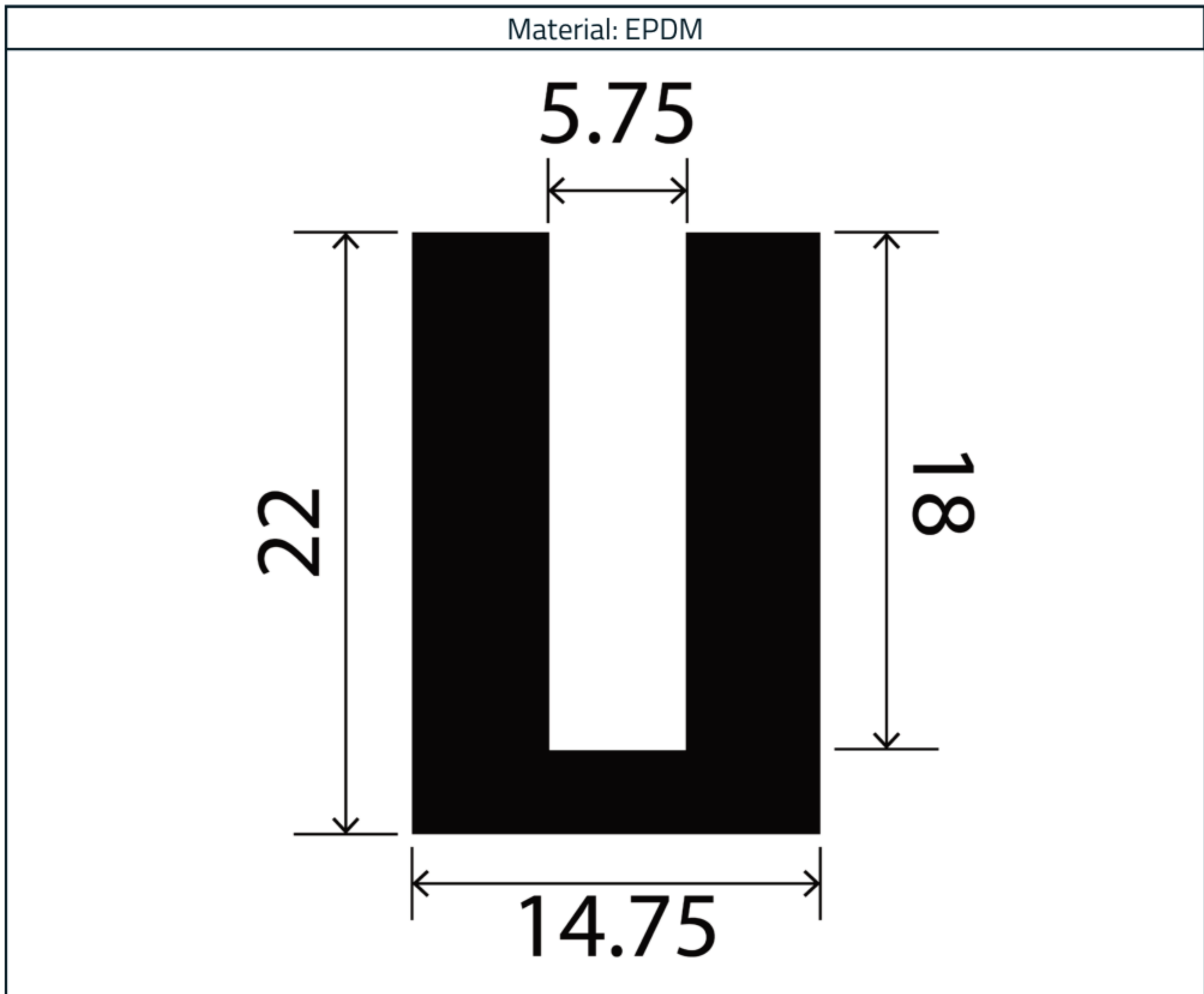


## Square U Channel Profile - 22mm x 14.75mm

Product Code: RC-I0320



### Measurements:

Height	Width
22mm	14.75mm

The information contained on this product information sheet is to be used as guidance. The advice is given in good faith and does not constitute any guarantee or recommendation for suitability. The Rubber Company cannot be held liable for any damage caused by incorrect installation. We hereby reserve the right to change the technical information herewith without notification or prior agreement.

### Technical Data

Property	Value
<b>Initial Properties</b>	
Hardness (Shore A)	75° ± 5
Density (Specific Gravity)	1.28 g/cm <sup>3</sup> ± 0.02
Tensile Strength	>6 Mpa
Elongation at Break	>250%
Compression Set (22hrs @ 70°C)	22.5%
Colour	Black
Max Continuous Length	30 metres
Weight	0.27kg
<b>Heat Resistance (70hrs @ 70°C)</b>	
Change in Shore Hardness	+5°
Change in Tensile Strength	±10%
Change in Elongation at Break	±15%
<b>Resistance</b>	
Ozone & Weathering Resistance	Fair
Dilute Acid & Bases	Fair

The black EPDM square channel, designed for compatibility with 4.75mm panels and measuring approximately 15mm wide by 22mm high, serves multiple purposes. It is employed as aesthetic edge trimming, functions as a glazing channel, and provides protective edging across diverse industries such as classic cars, buses, caravans, air, rail, marine, and various other industrial sectors.



The information contained on this product information sheet is to be used as guidance. The advice is given in good faith and does not constitute any guarantee or recommendation for suitability. The Rubber Company cannot be held liable for any damage caused by incorrect installation. We hereby reserve the right to change the technical information herewith without notification or prior agreement.