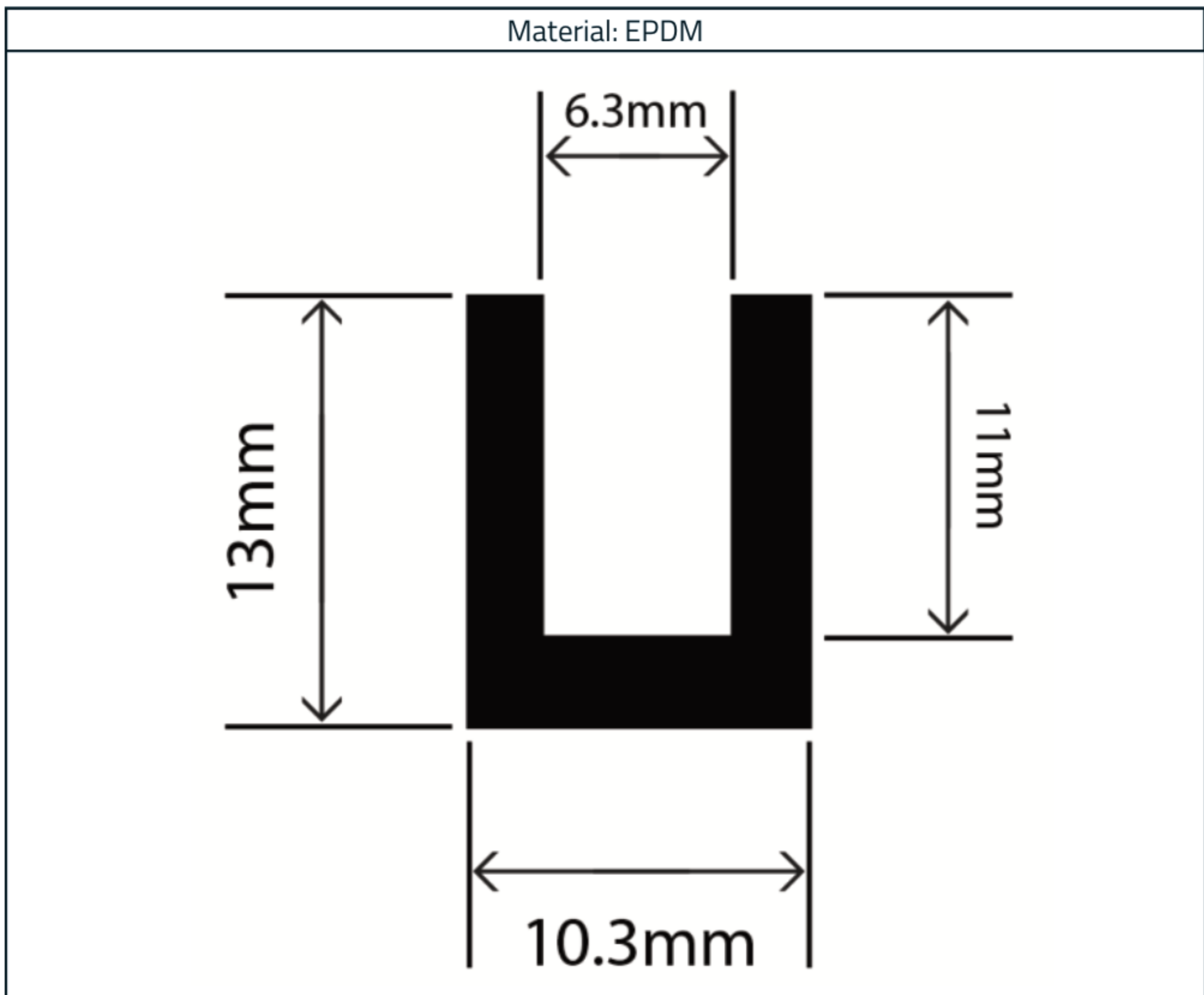


Square U Channel Profile - 13mm x 10.3mm

Product Code: RC-I0315-6.3



Measurements:

Height	Width
13mm	10.3mm

The information contained on this product information sheet is to be used as guidance. The advice is given in good faith and does not constitute any guarantee or recommendation for suitability. The Rubber Company cannot be held liable for any damage caused by incorrect installation. We hereby reserve the right to change the technical information herewith without notification or prior agreement.

Technical Data

Properties	Specification	Actual Values
Hardness	70 ± 5	73
Tensile Strength	10 Mpa min	13 Mpa
Elongation at Break	250% min	300%
A14 - Heat Ageing (70hrs @ 100 °C)		
Change in Hardness	+15 max	=10
Change in Tensile	-15% max	-6%
Change in Elongation	-40% max	-23%
B14 - Compression Set (22hrs @ 100 °C)	35% max	33%
E014 - Fluid Resistance Oil No.3 (70hrs @ 100 °C)		
Change in Hardness	± 10% max	=8
Change in Tensile	-30% max	-15%
Change in Elongation	-30% max	-20%
Change in Volume	-10 to +15%	+3%
E034 - Fluid Resistance Oil No.3 (70hrs @ 100 °C)		
Change in Tensile	-60% max	-45%
Change in Elongation	-50%	-47%
Change in Volume	+100%	+85%
F17 - low temp brittleness (non-brittle @ 3 min @ 55 °C)	Pass	Pass
Colour	Black	
Max Continuous Length	30 metres	
Weight	0.09kg	

Black Neoprene square channel. Suitable for 4.75mm edge.

Used as aesthetic edge trimming, glazing channel, protective edge in classic car, bus, caravan, air, rail, marine and other industries.



The information contained on this product information sheet is to be used as guidance. The advice is given in good faith and does not constitute any guarantee or recommendation for suitability. The Rubber Company cannot be held liable for any damage caused by incorrect installation. We hereby reserve the right to change the technical information herewith without notification or prior agreement.