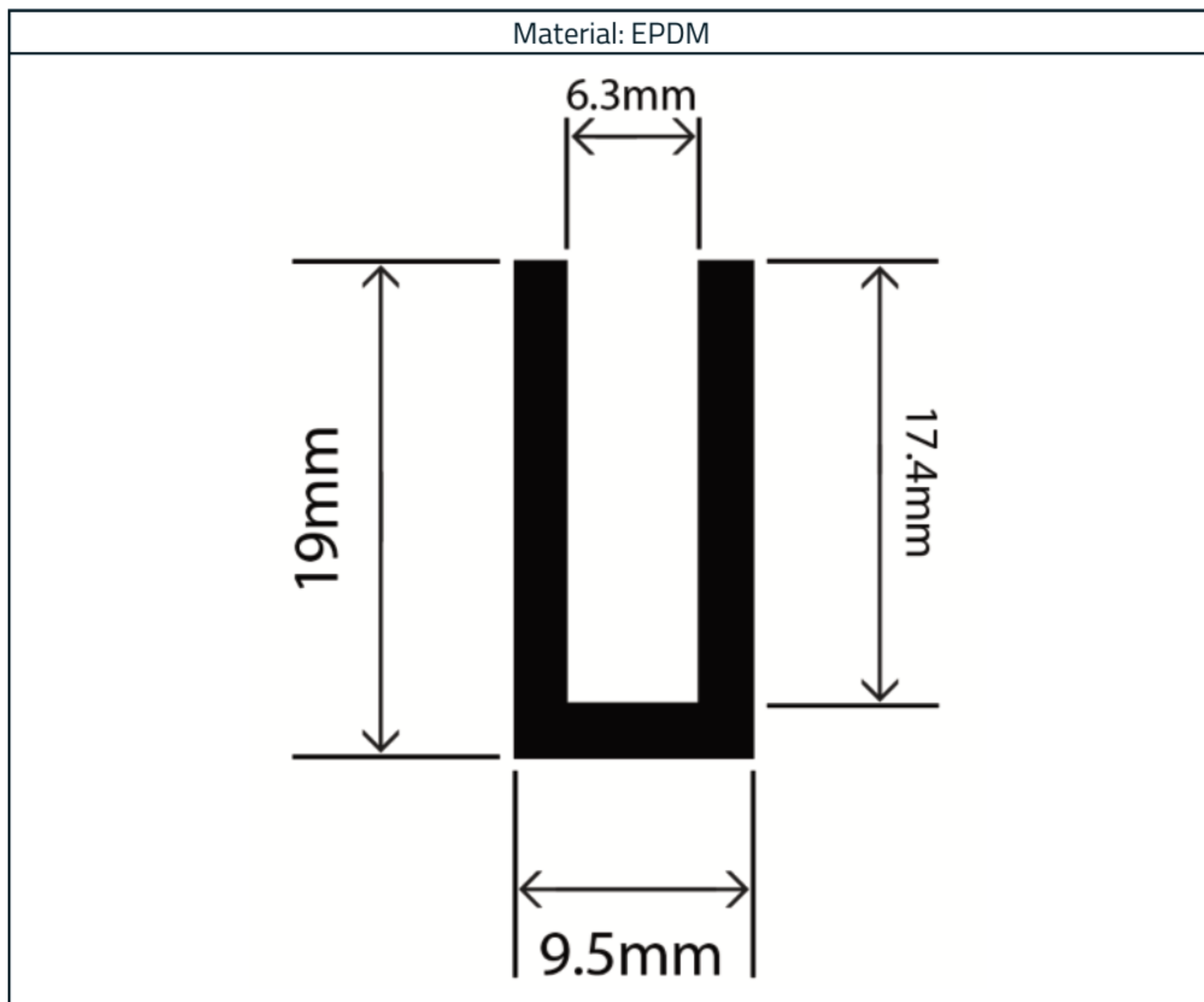


### Square U Channel Profile - 19mm x 9.5mm

Product Code: RC-I0271-6.3



#### Measurements:

Height	Width
19mm	9.5mm

The information contained on this product information sheet is to be used as guidance. The advice is given in good faith and does not constitute any guarantee or recommendation for suitability. The Rubber Company cannot be held liable for any damage caused by incorrect installation. We hereby reserve the right to change the technical information herewith without notification or prior agreement.

### Technical Data

Property	Value
<b>Initial Properties</b>	
Hardness (Shore A)	75° ± 5
Density (Specific Gravity)	1.28 g/cm <sup>3</sup> ± 0.02
Tensile Strength	>6 Mpa
Elongation at Break	>250%
Compression Set (22hrs @ 70°C)	22.5%
Colour	Black
Max Continuous Length	30 metres
Weight	0.11kg
<b>Heat Resistance (70hrs @ 70°C)</b>	
Change in Shore Hardness	+5°
Change in Tensile Strength	±10%
Change in Elongation at Break	±15%
<b>Resistance</b>	
Ozone & Weathering Resistance	Fair
Dilute Acid & Bases	Fair

The black EPDM square channel/edge trim, featuring a channel width of around 4.75mm and an overall size of approximately 8.75mm wide by 18mm high, with a wall thickness of about 2mm, serves various purposes. It is applied as aesthetic edge trimming, a glazing channel, and a protective edge across a diverse range of industries, including classic cars, buses, caravans, air, rail, marine, and numerous other industrial sectors.



The information contained on this product information sheet is to be used as guidance. The advice is given in good faith and does not constitute any guarantee or recommendation for suitability. The Rubber Company cannot be held liable for any damage caused by incorrect installation. We hereby reserve the right to change the technical information herewith without notification or prior agreement.