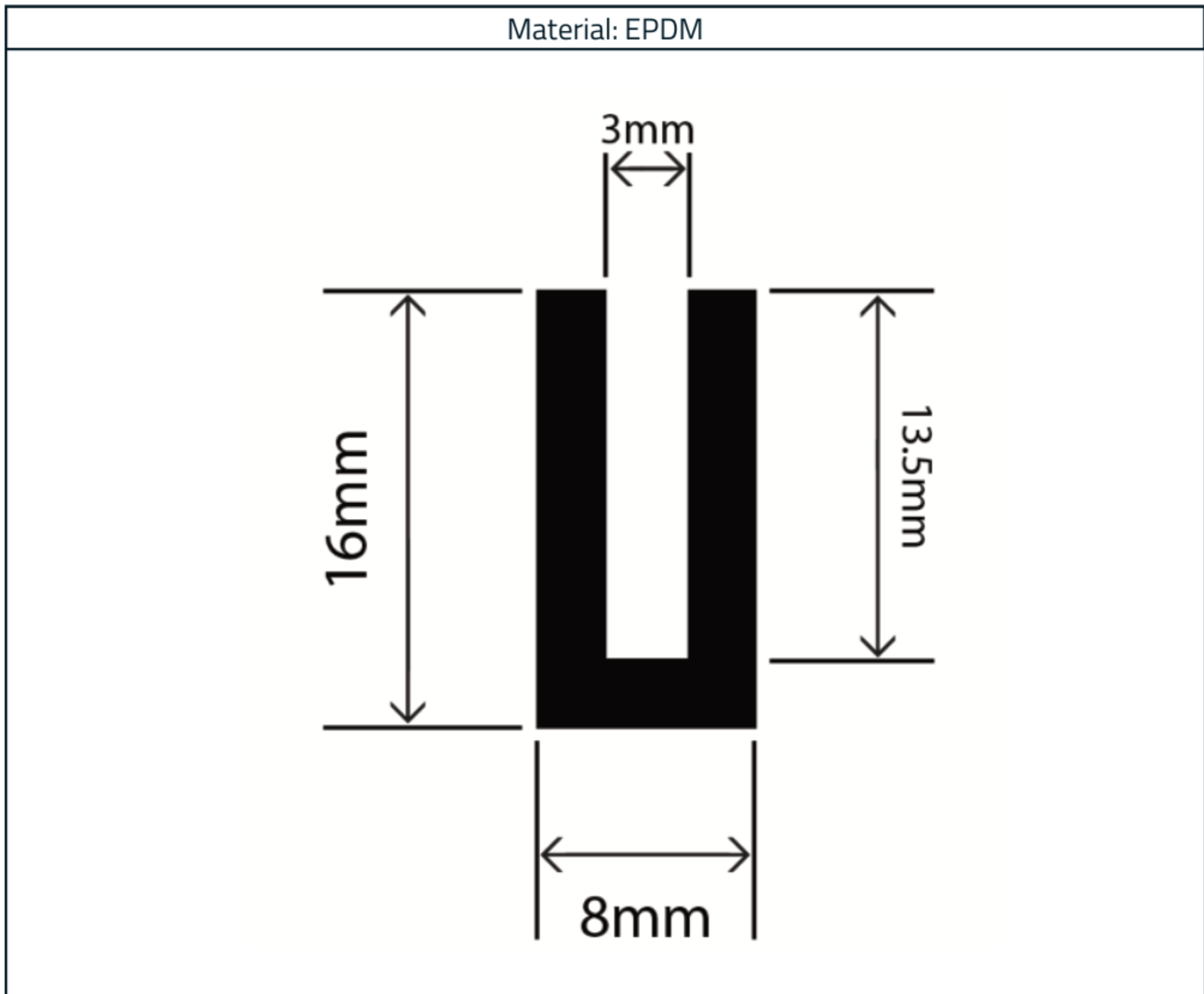


Square U Channel Profile - 16mm x 8mm

Product Code: RC-I0002



Measurements:

Height	Width
16mm	8mm

The information contained on this product information sheet is to be used as guidance. The advice is given in good faith and does not constitute any guarantee or recommendation for suitability. The Rubber Company cannot be held liable for any damage caused by incorrect installation. We hereby reserve the right to change the technical information herewith without notification or prior agreement.

Technical Data

Property	Value
Initial Properties	
Hardness (Shore A)	75° ± 5
Density (Specific Gravity)	1.28 g/cm ³ ± 0.02
Tensile Strength	>6 Mpa
Elongation at Break	>250%
Compression Set (22hrs @ 70°C)	22.5%
Colour	Black
Max Continuous Length	30 metres
Weight	0.1kg
Heat Resistance (70hrs @ 70°C)	
Change in Shore Hardness	+5°
Change in Tensile Strength	±10%
Change in Elongation at Break	±15%
Resistance	
Ozone & Weathering Resistance	Fair
Dilute Acid & Bases	Fair

Used in door, window and other sealing applications in classic car, bus, caravan, air, rail, marine and other industries.



The information contained on this product information sheet is to be used as guidance. The advice is given in good faith and does not constitute any guarantee or recommendation for suitability. The Rubber Company cannot be held liable for any damage caused by incorrect installation. We hereby reserve the right to change the technical information herewith without notification or prior agreement.