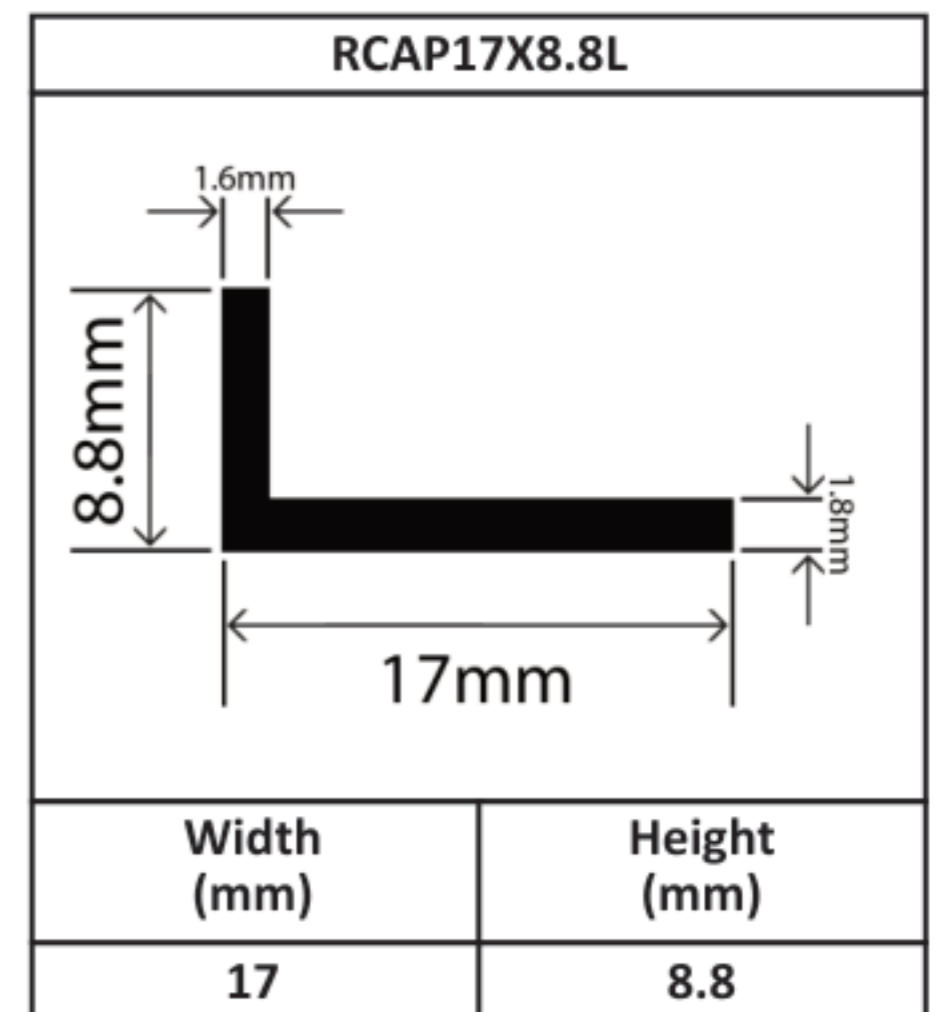
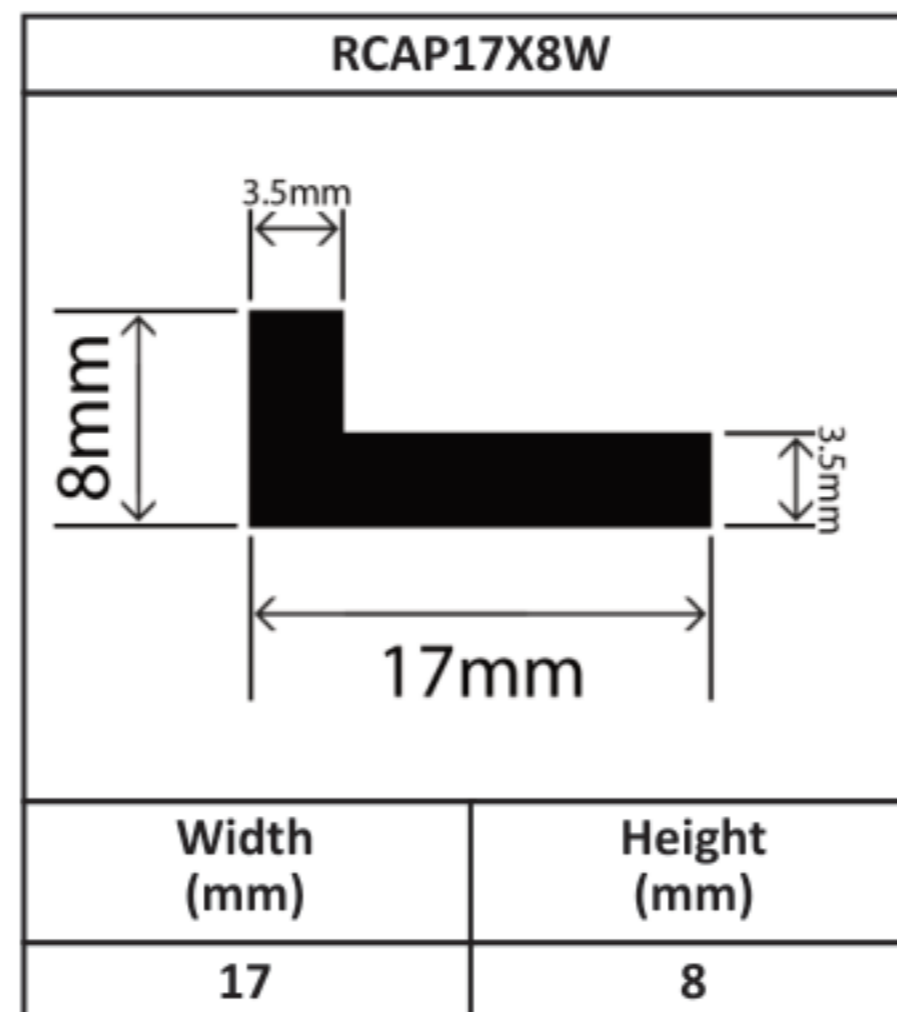
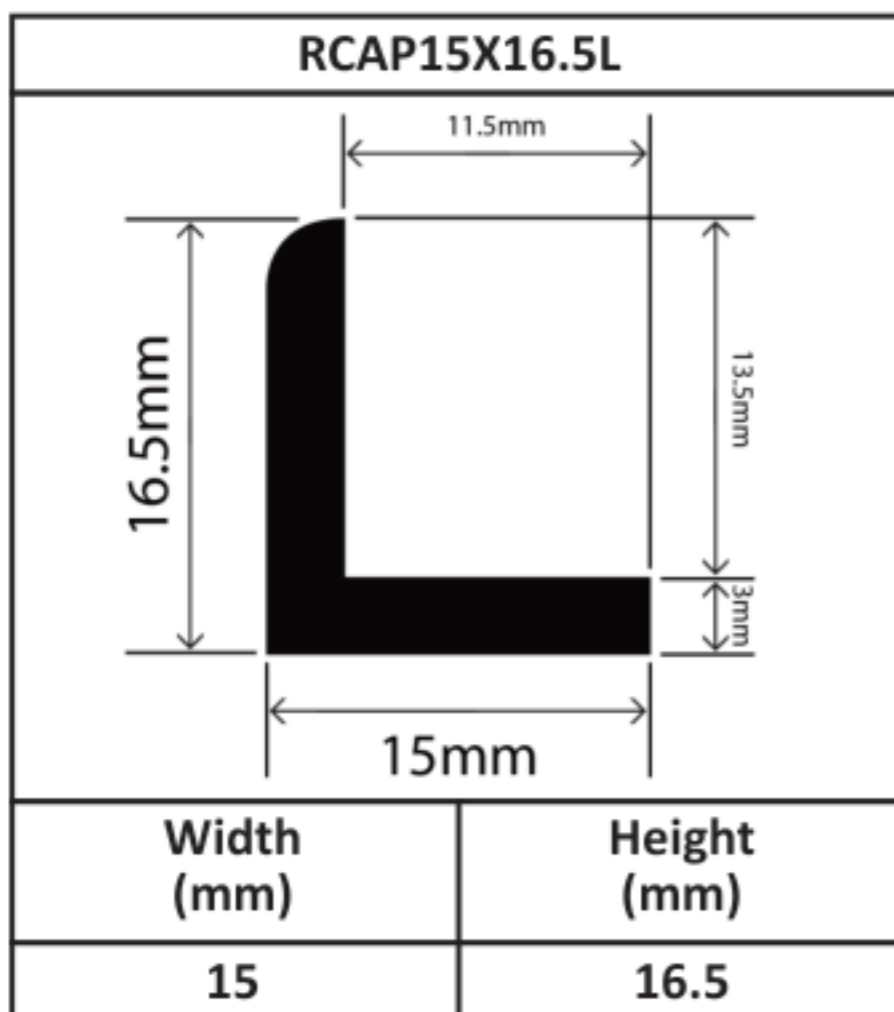
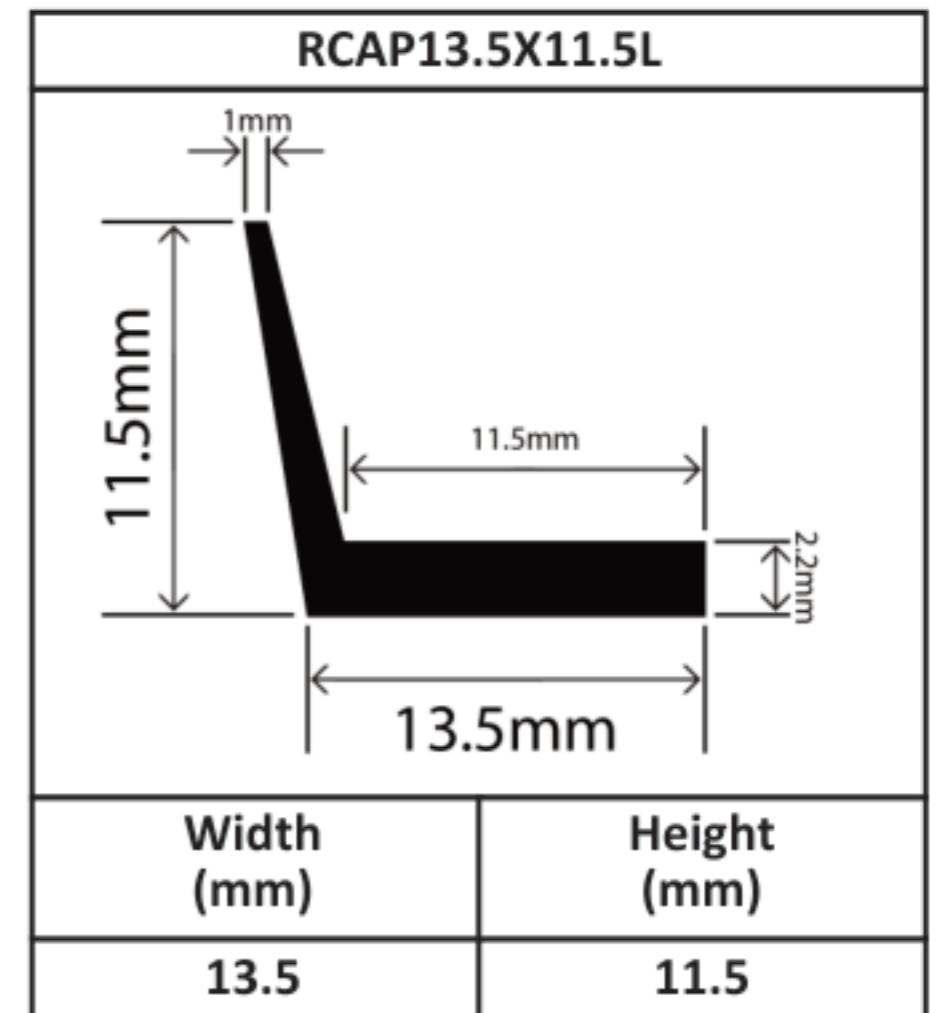
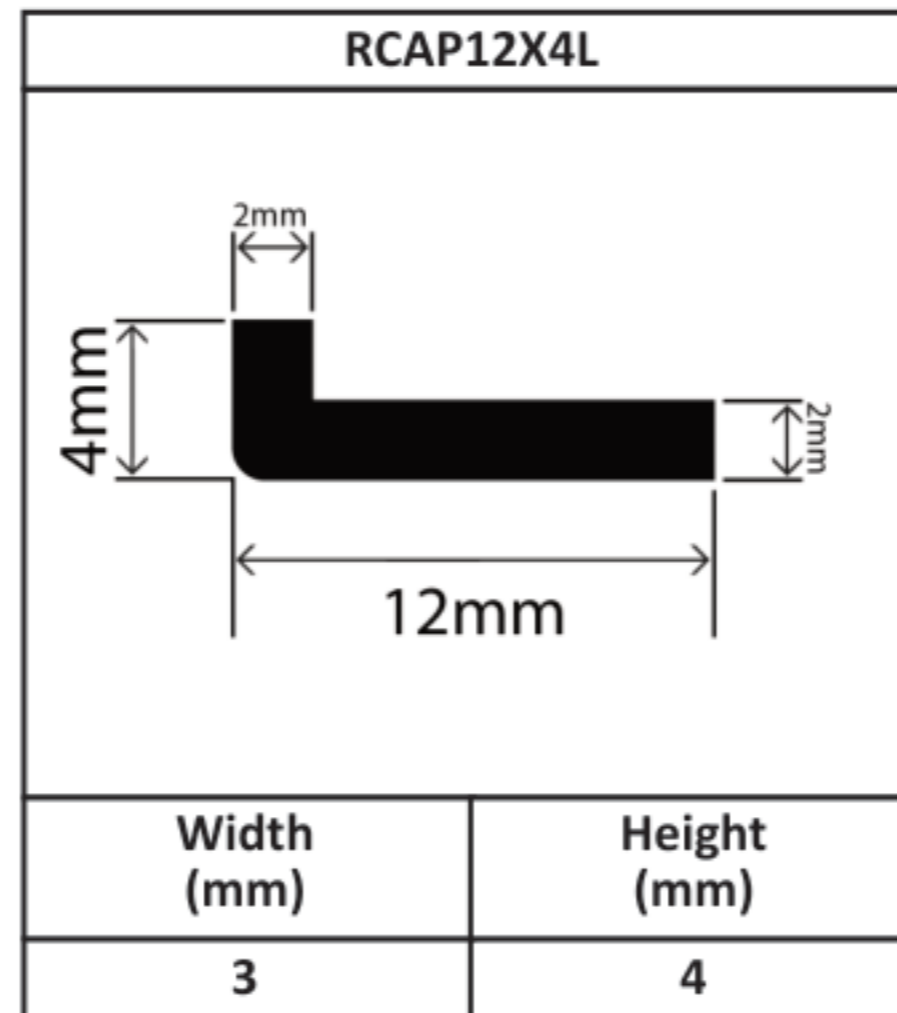
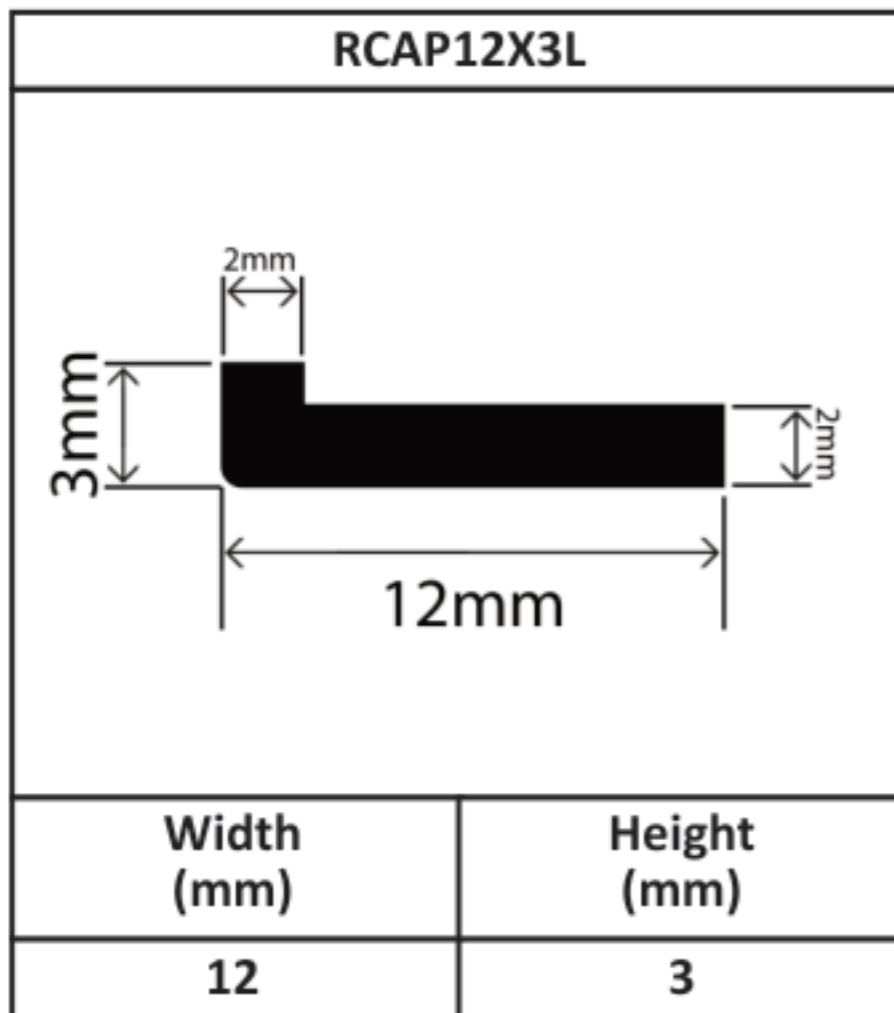
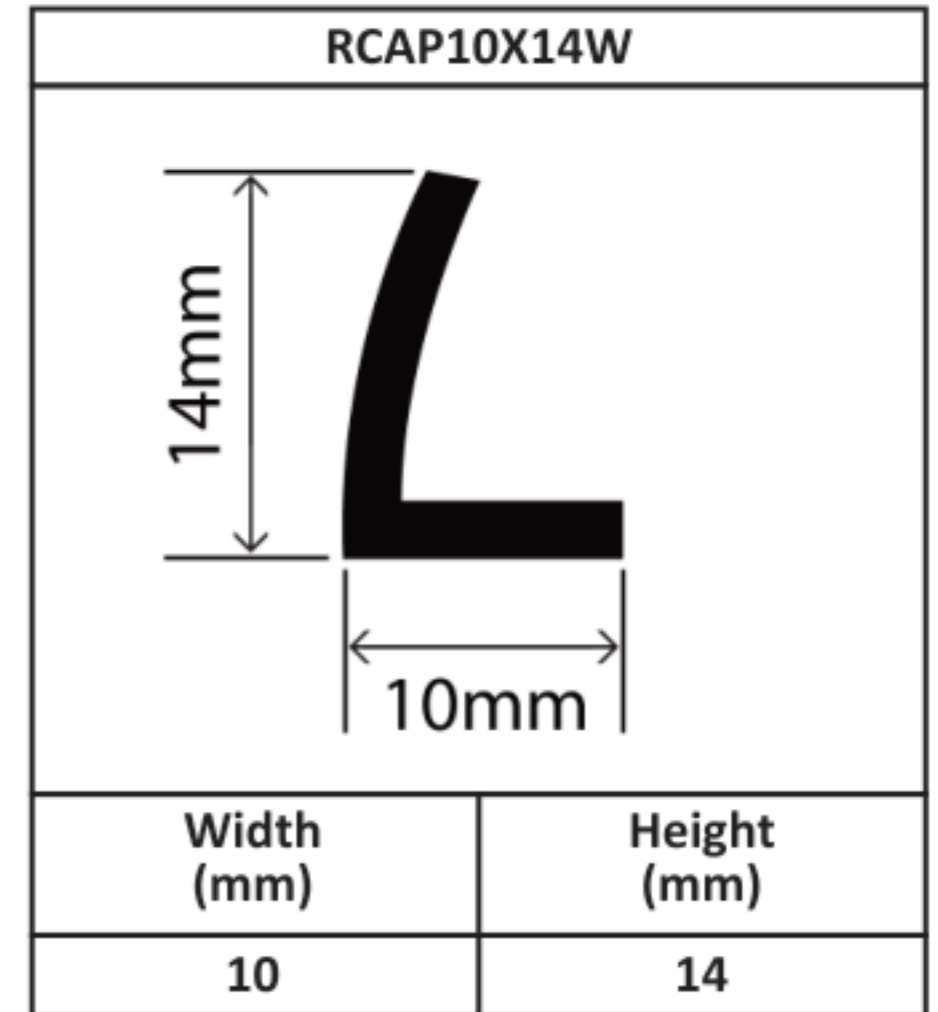
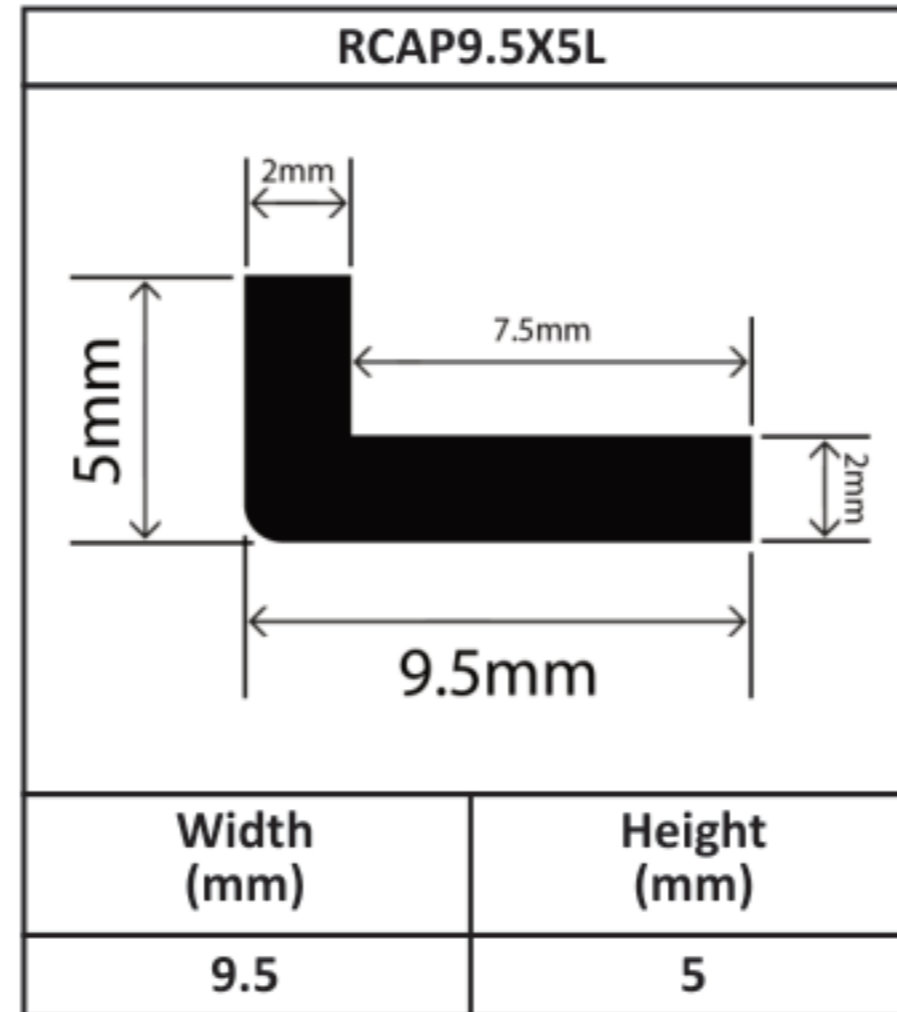
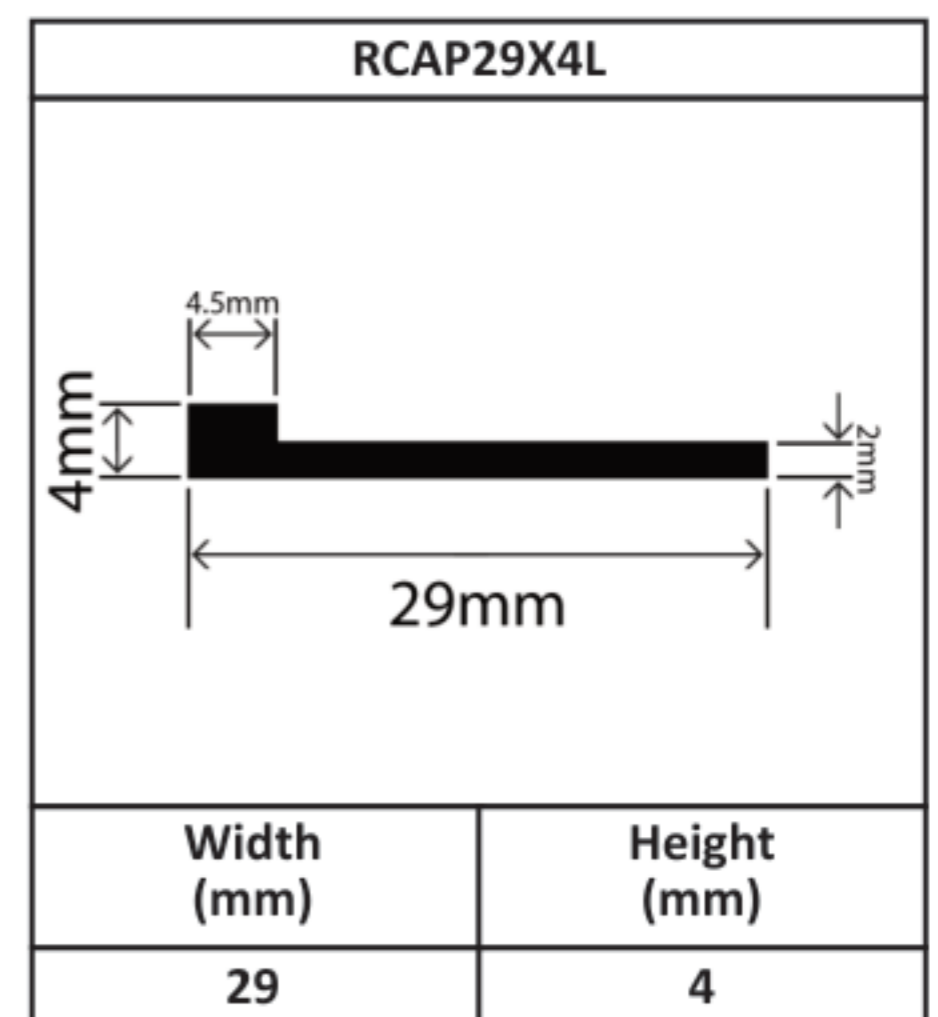
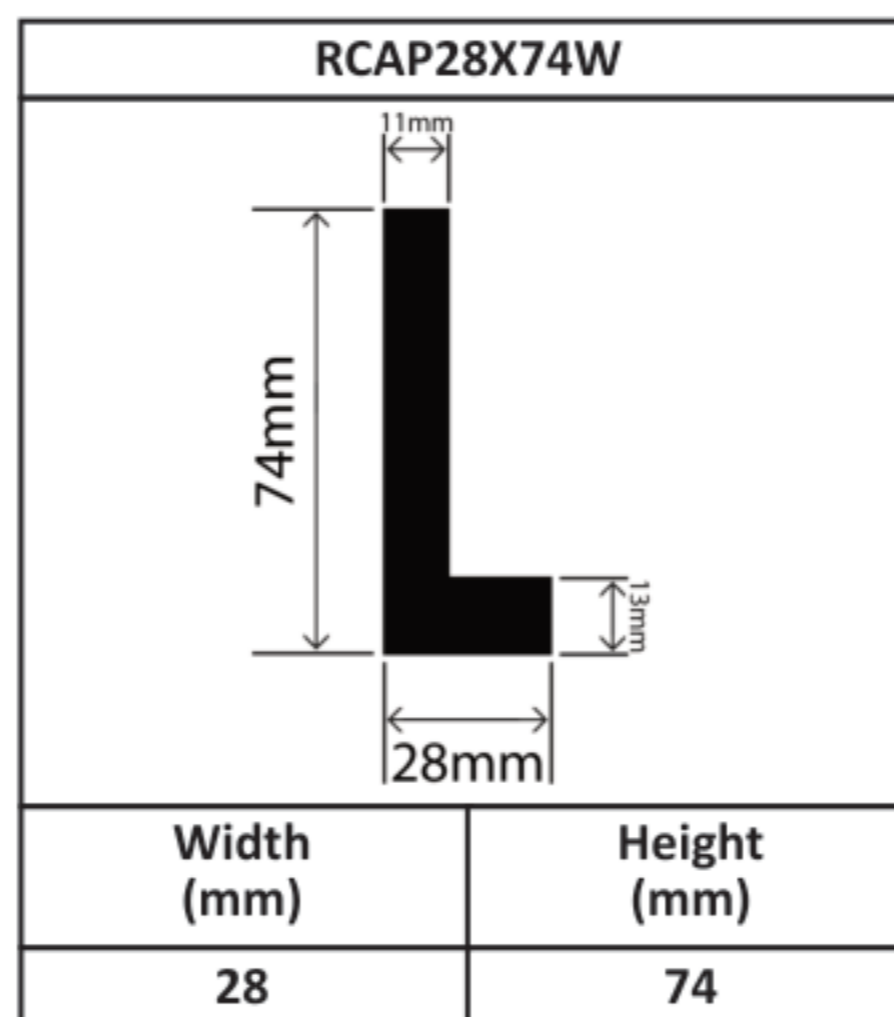
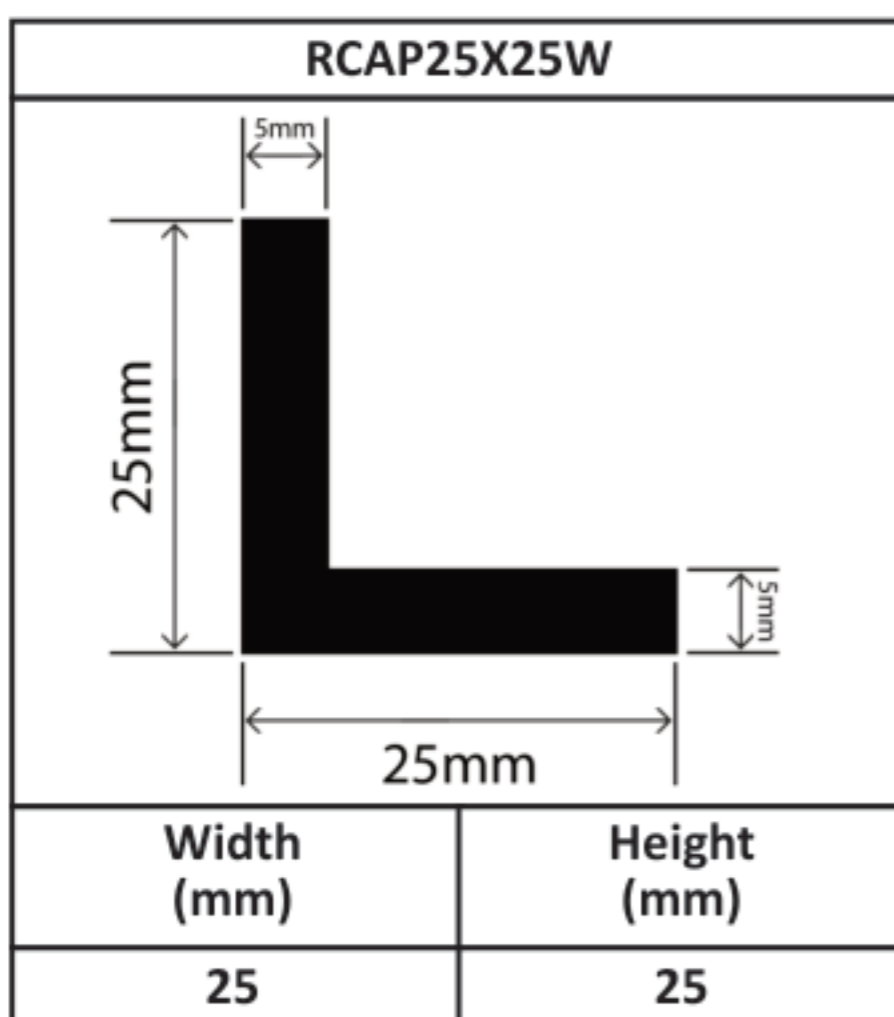
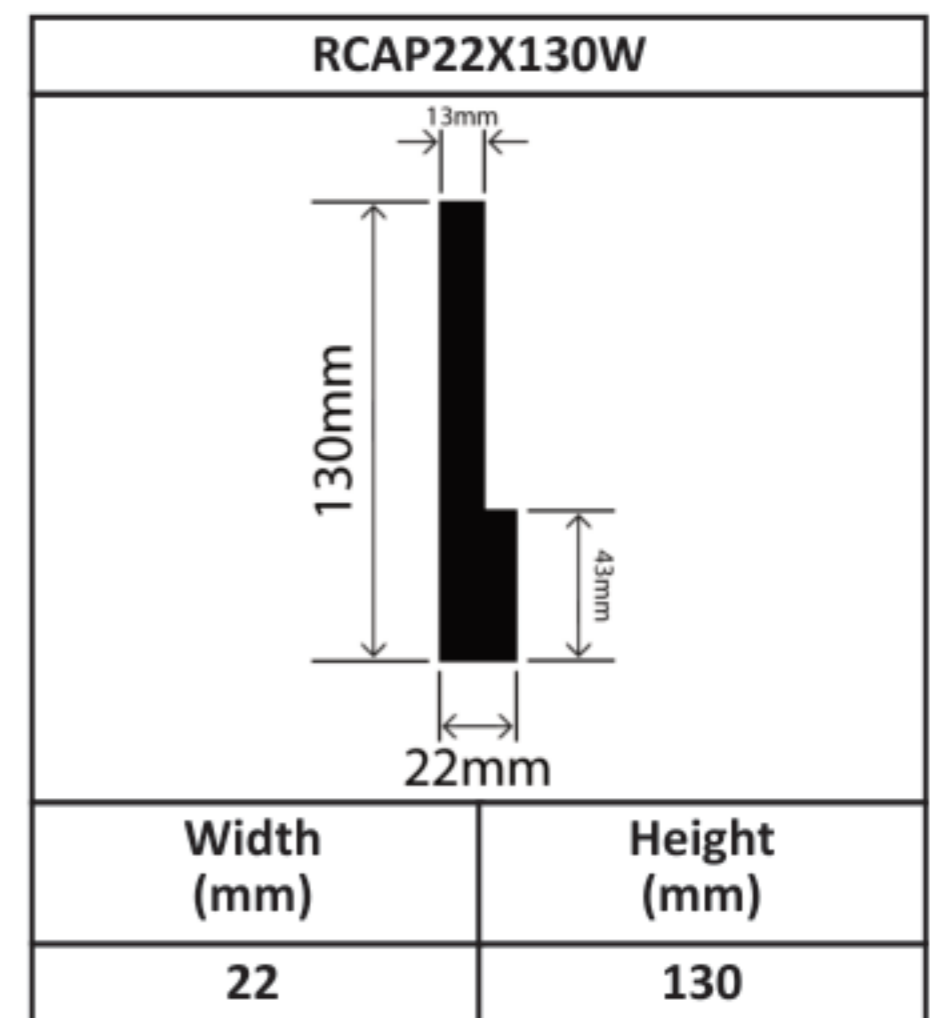
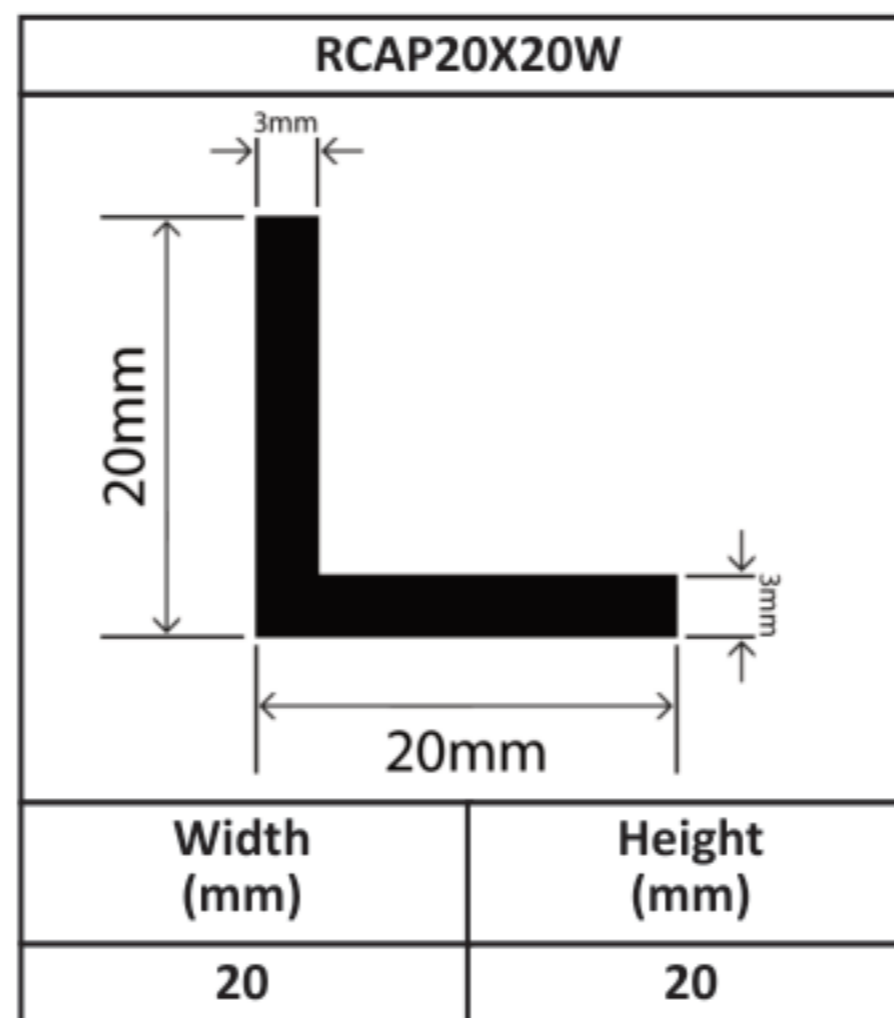
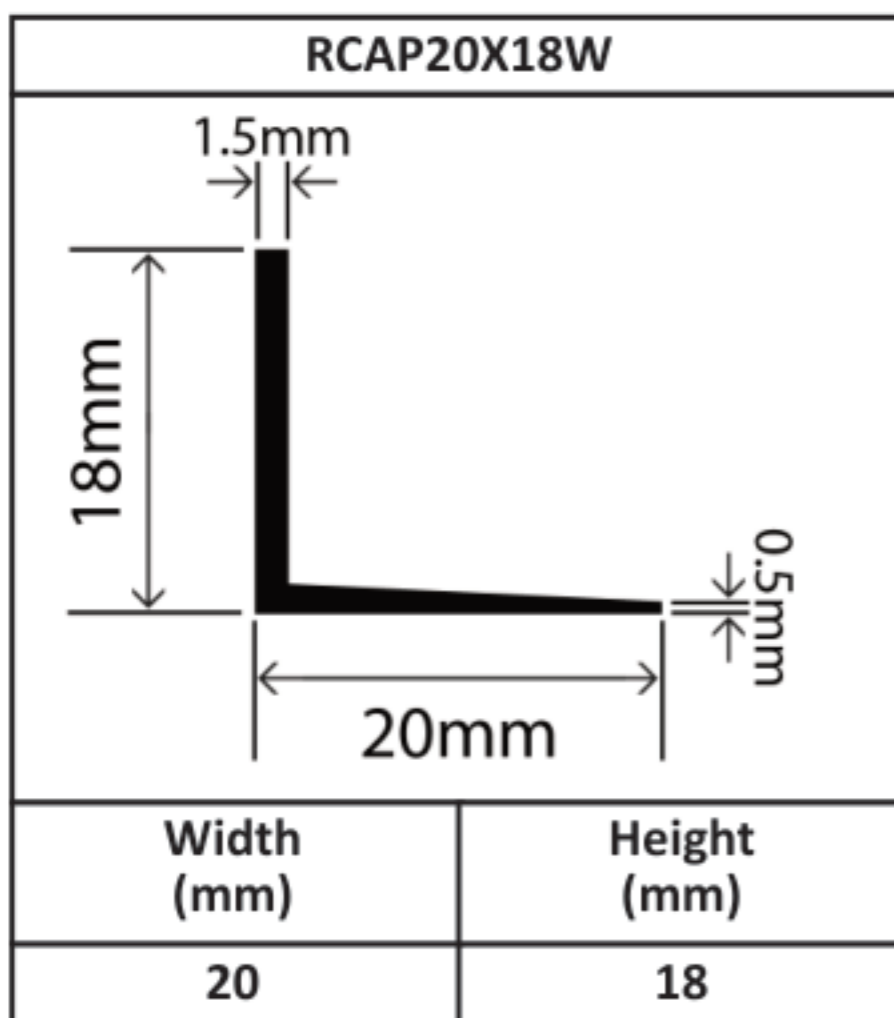
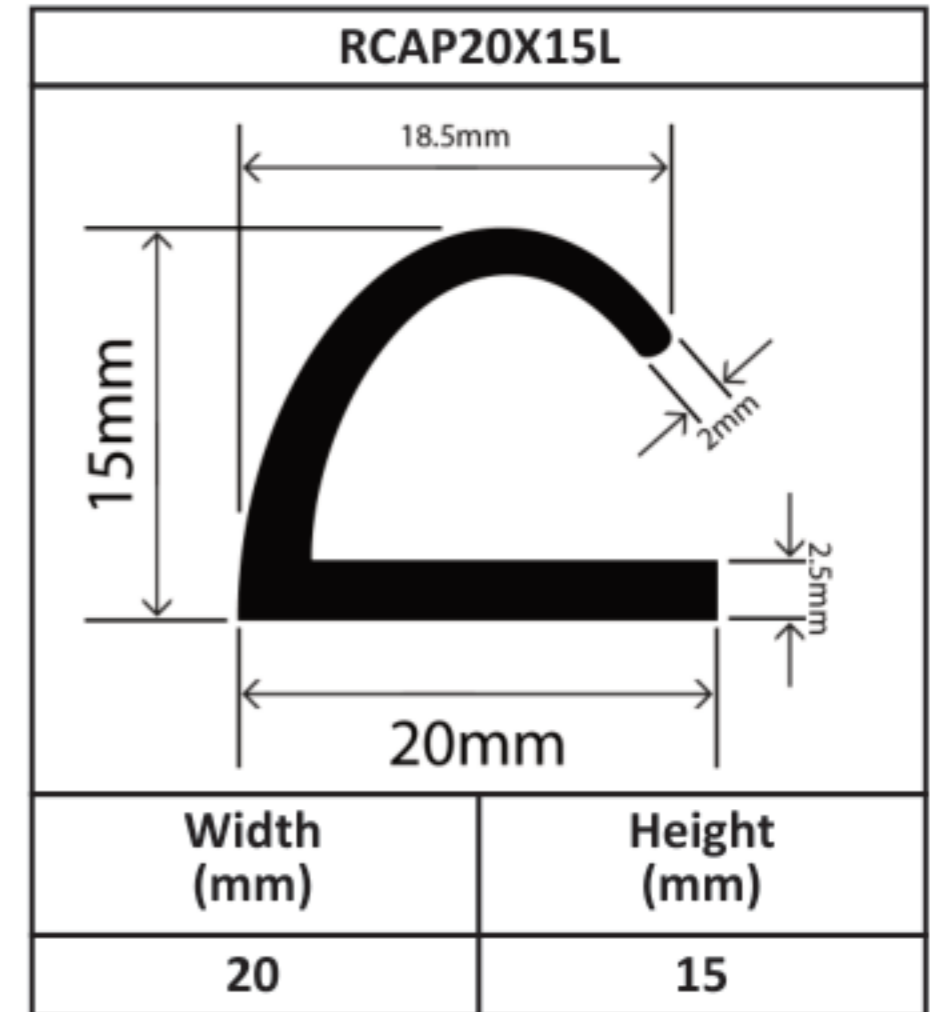
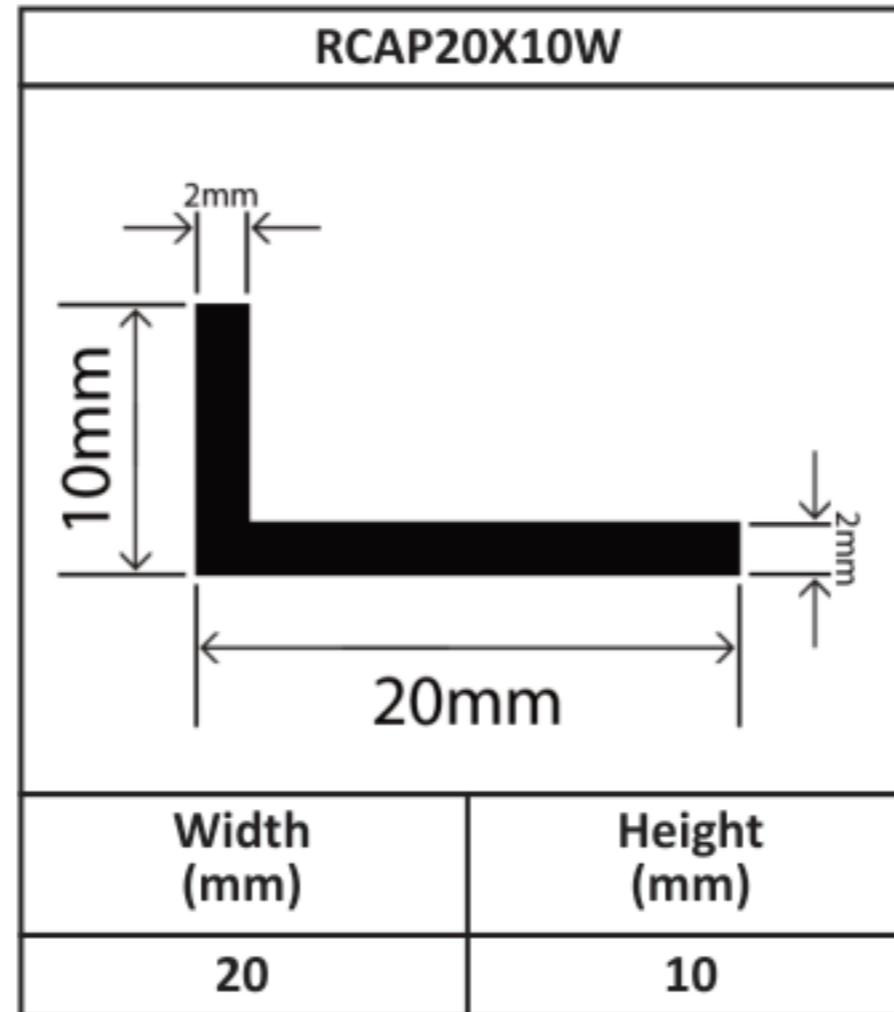
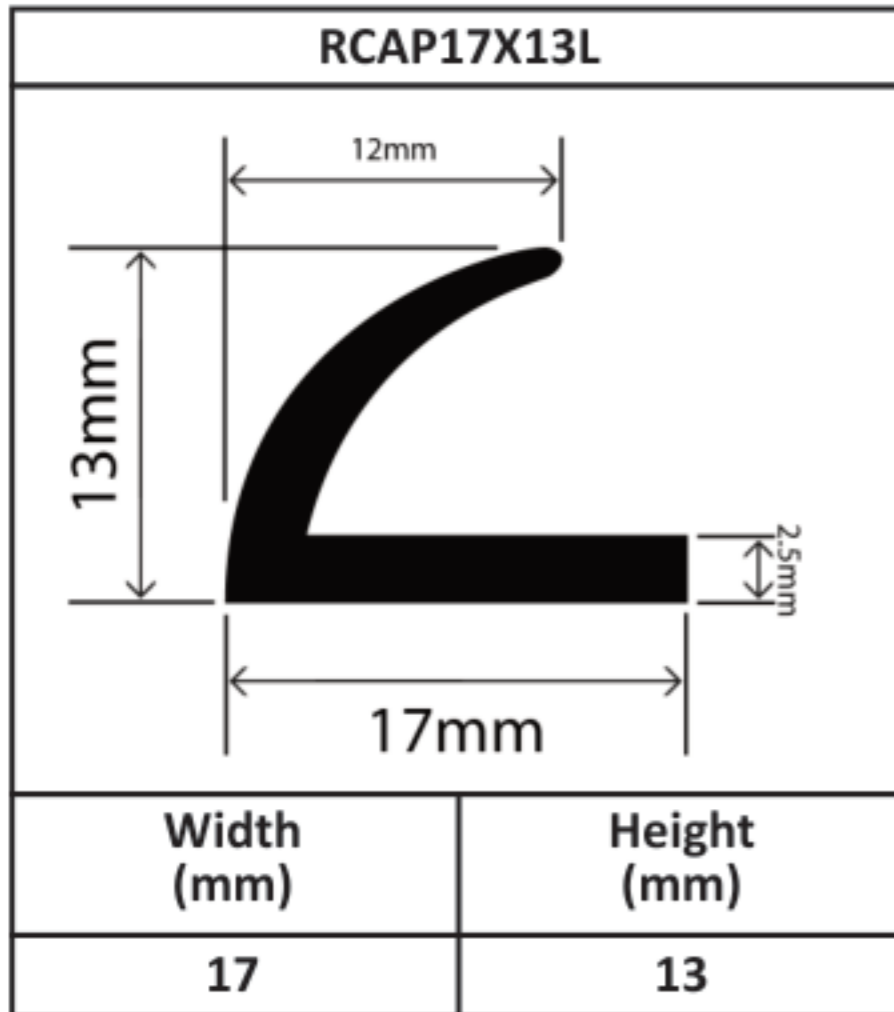


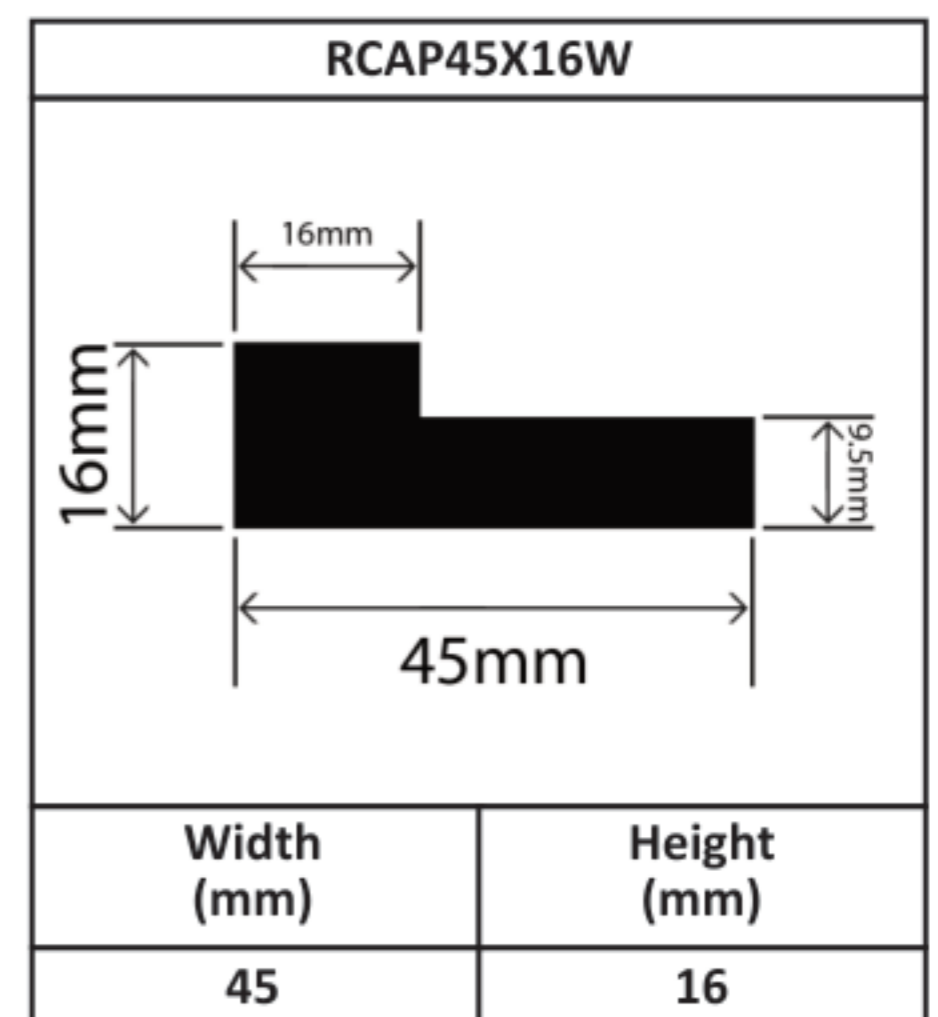
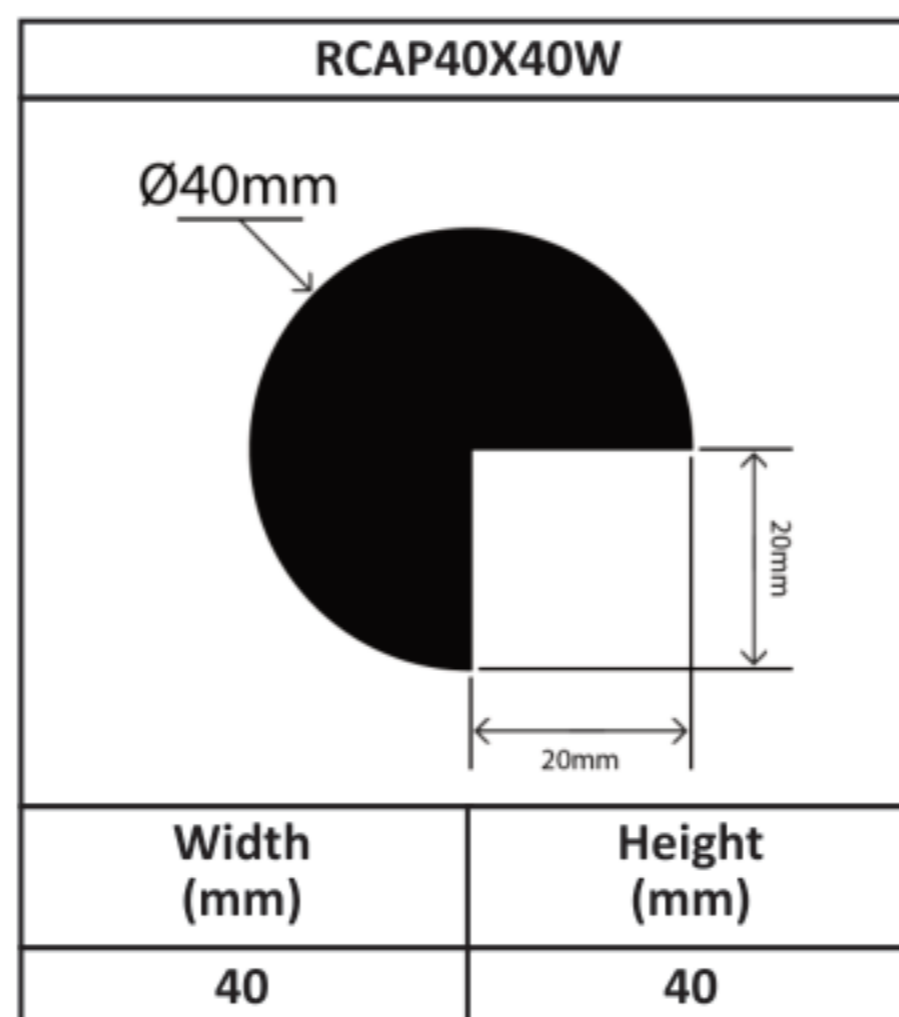
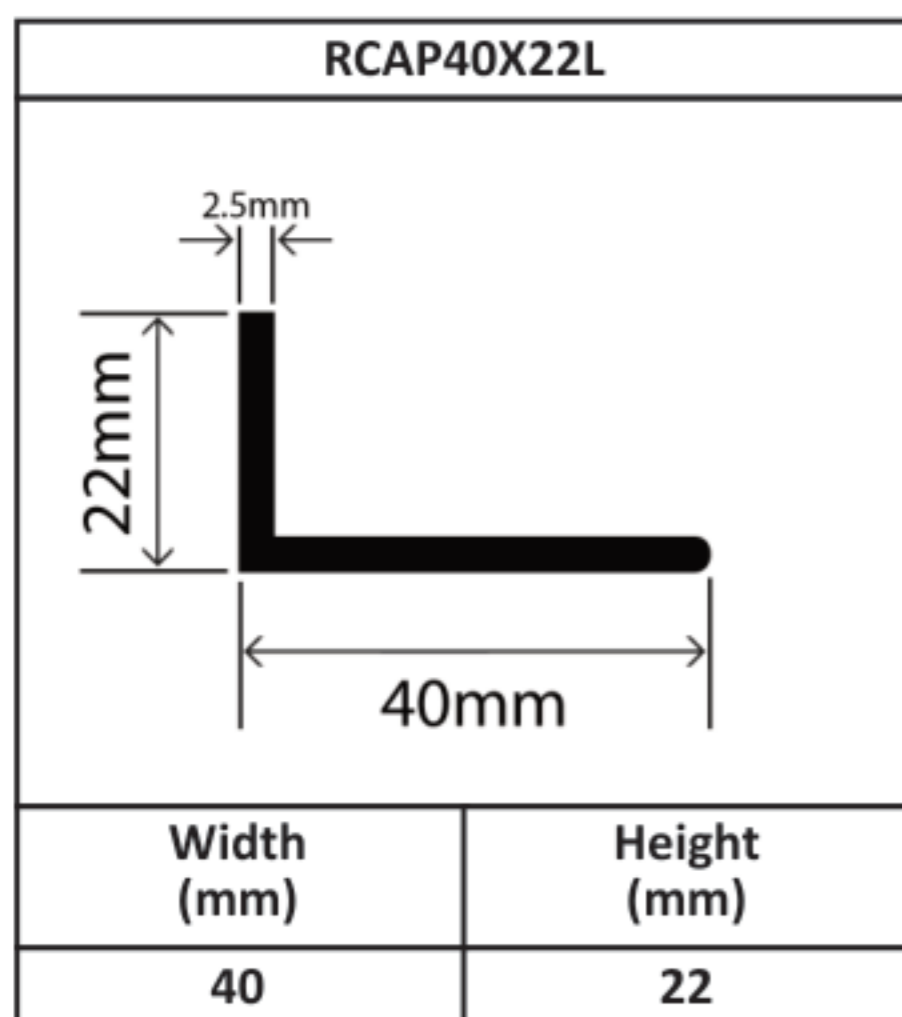
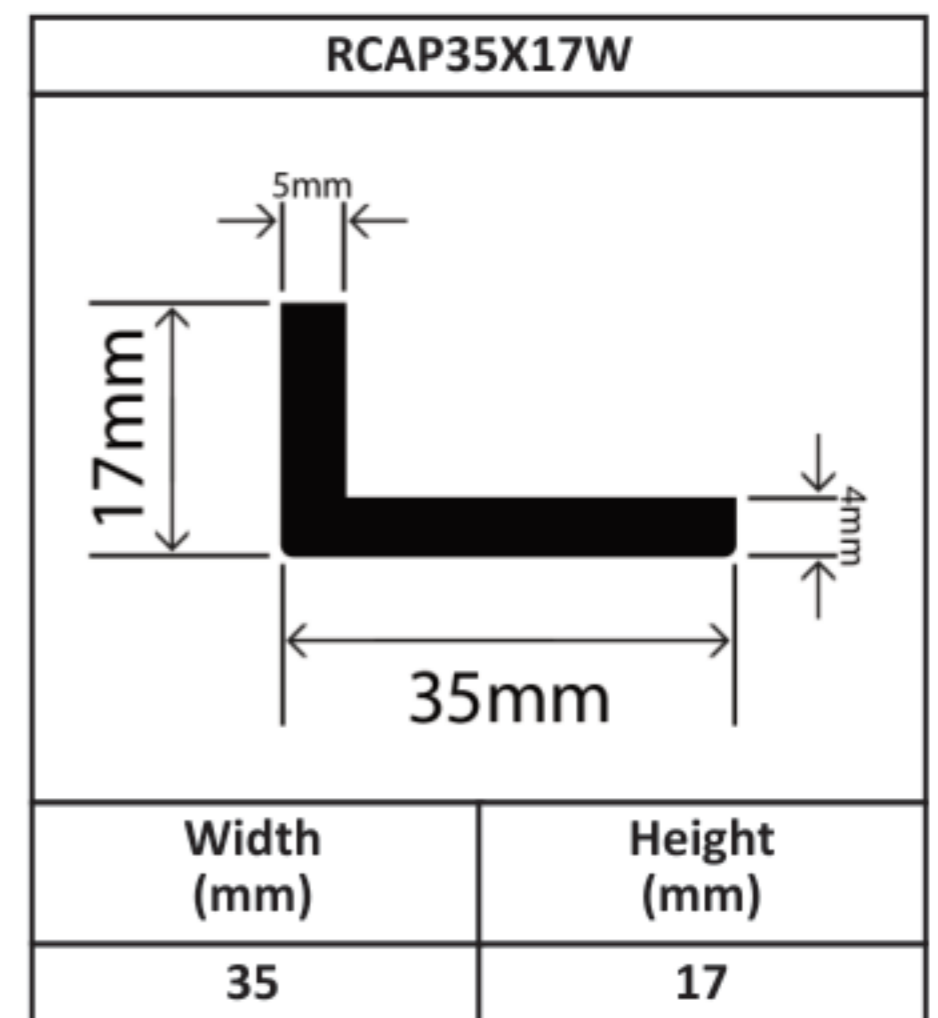
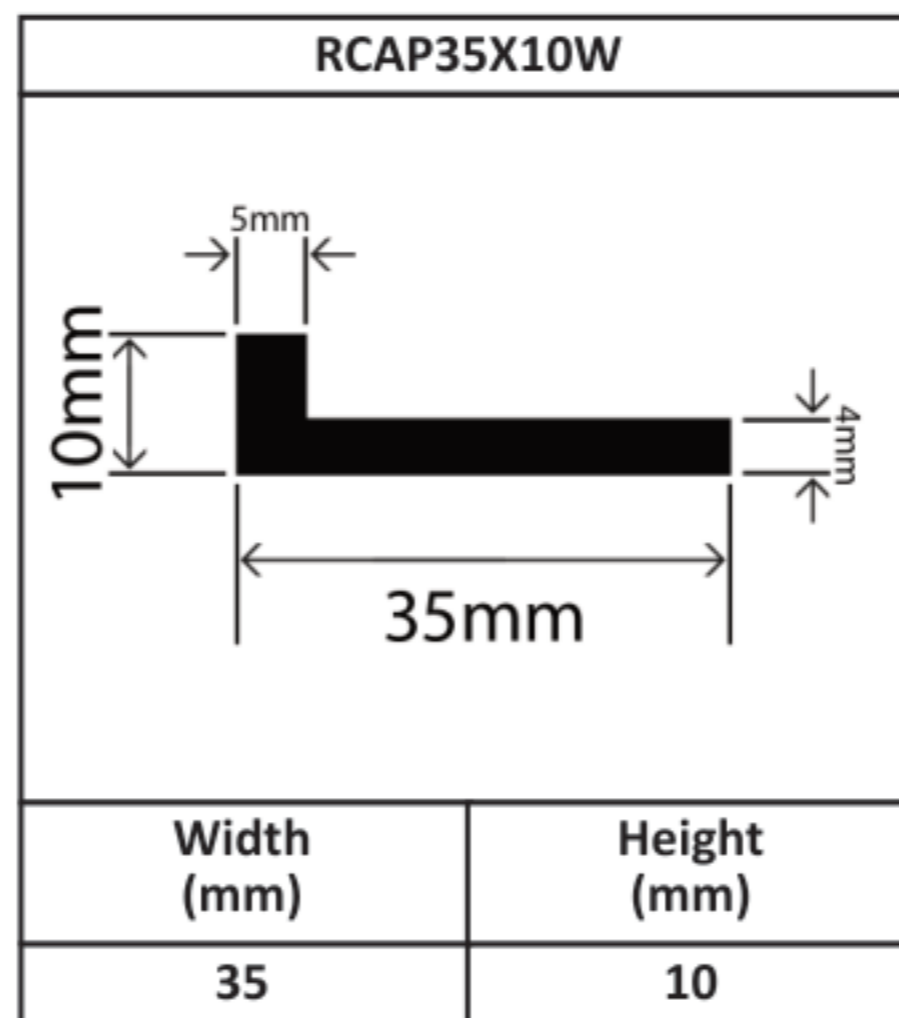
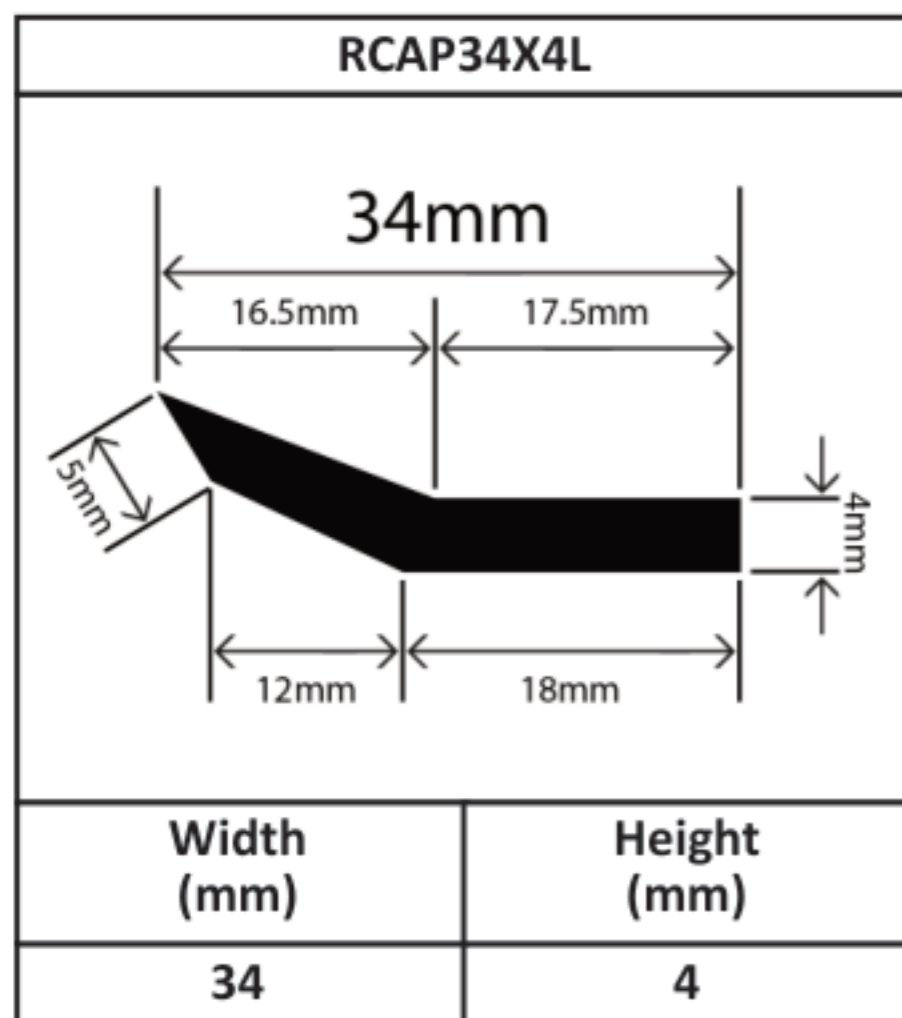
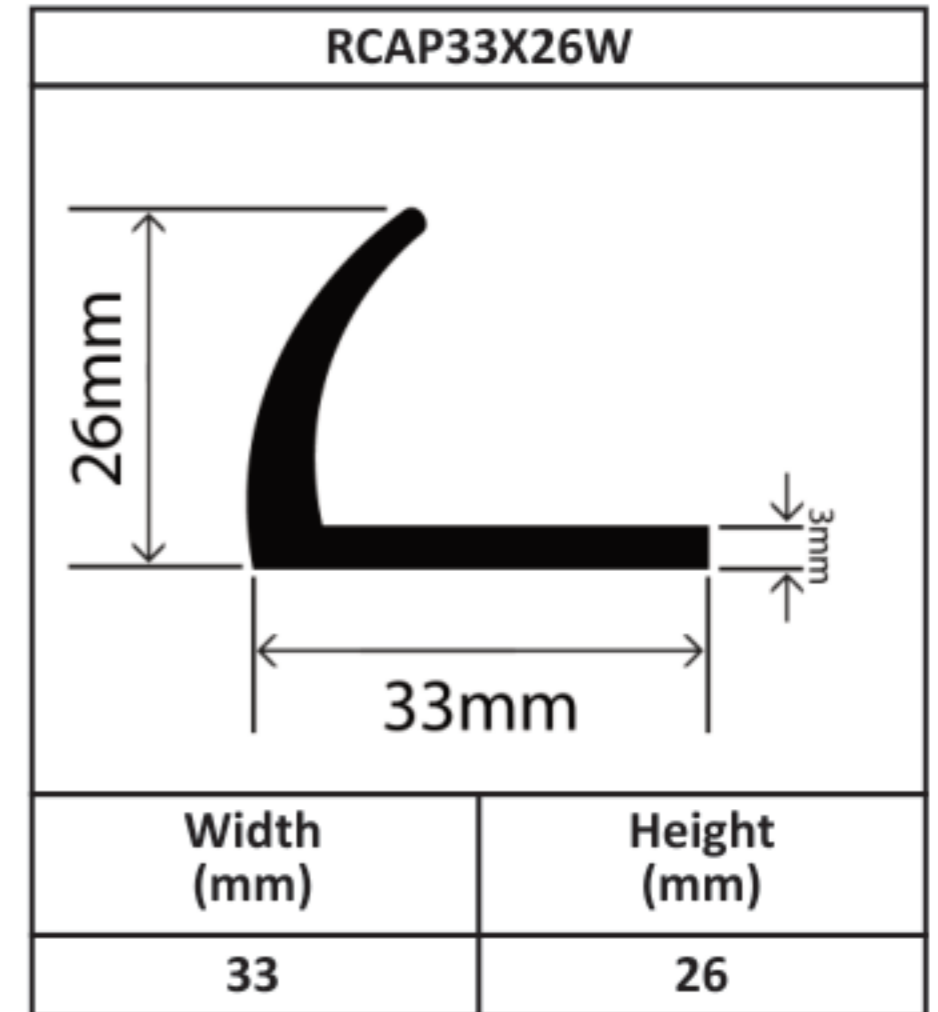
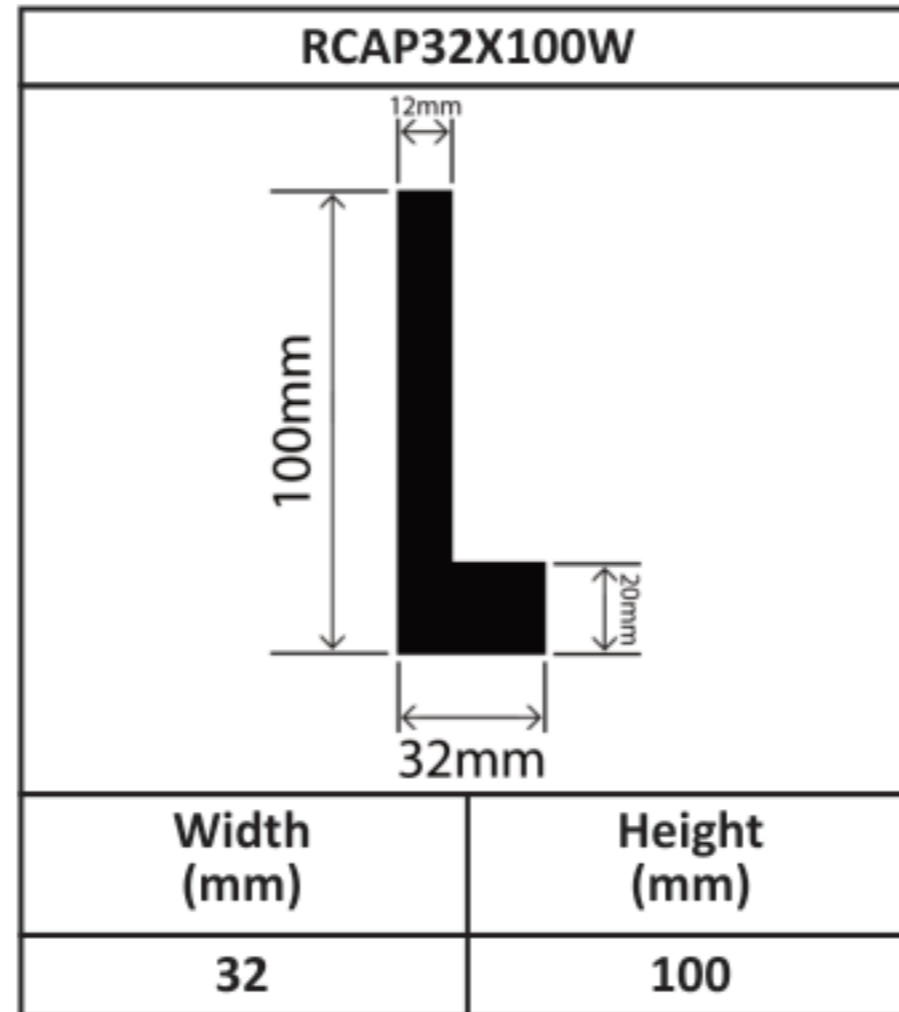
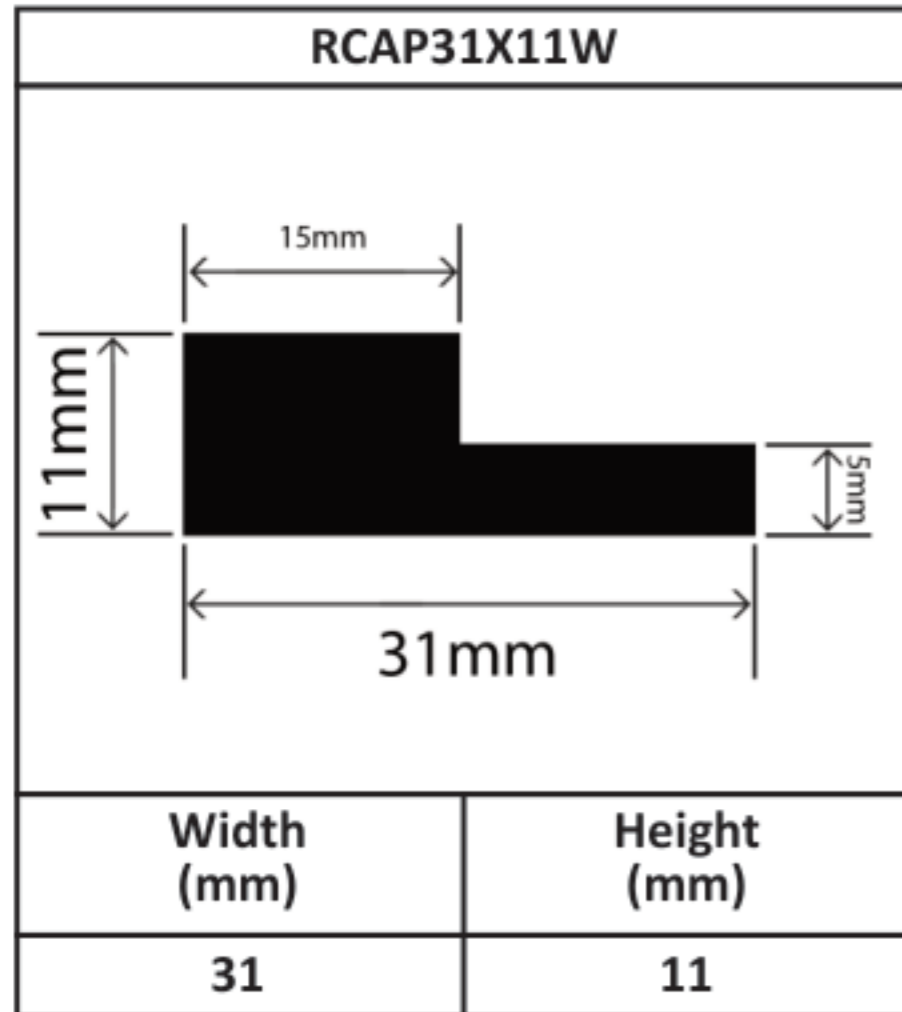
### Rubber Angle Extrusions & L Profiles



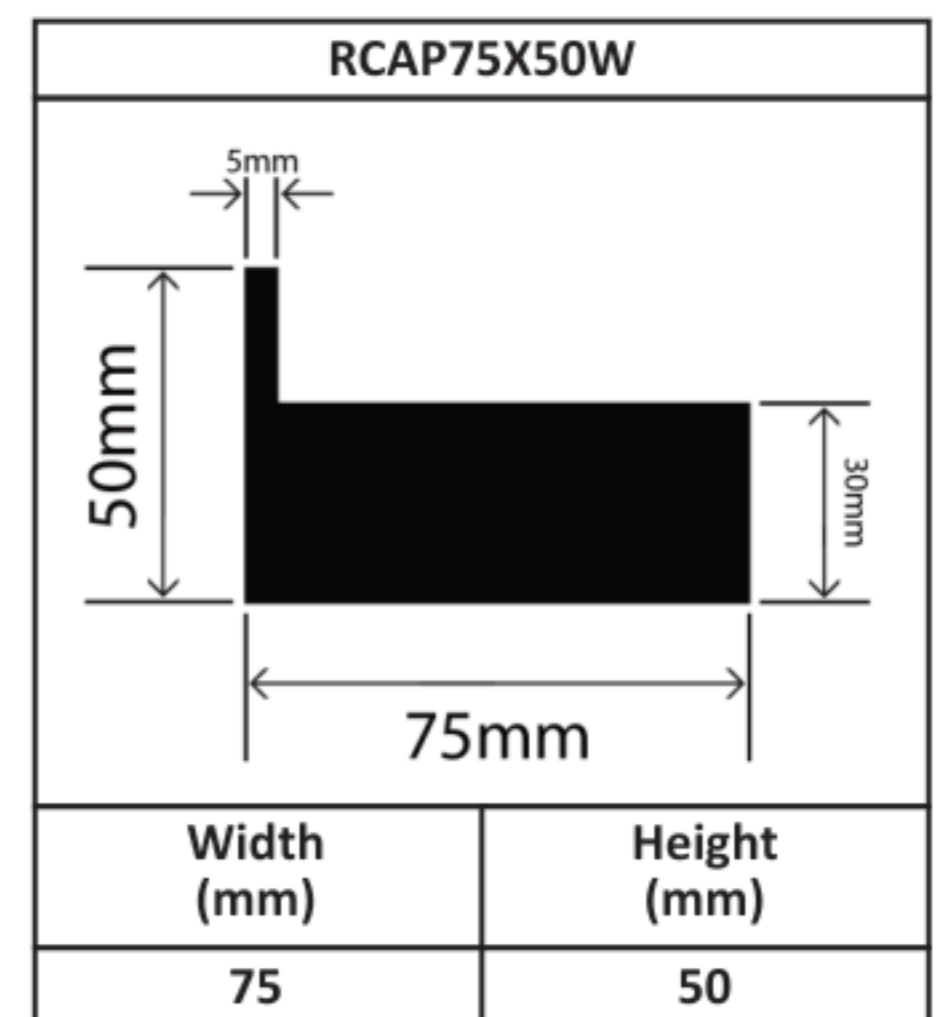
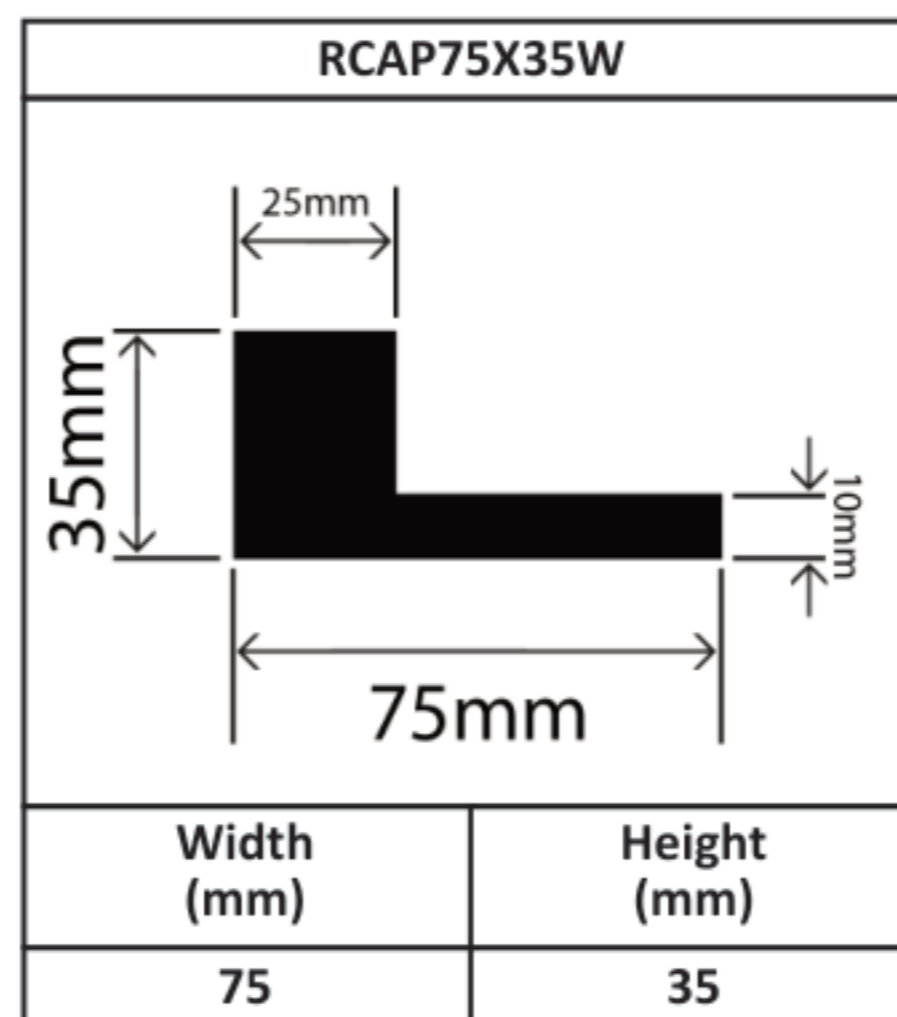
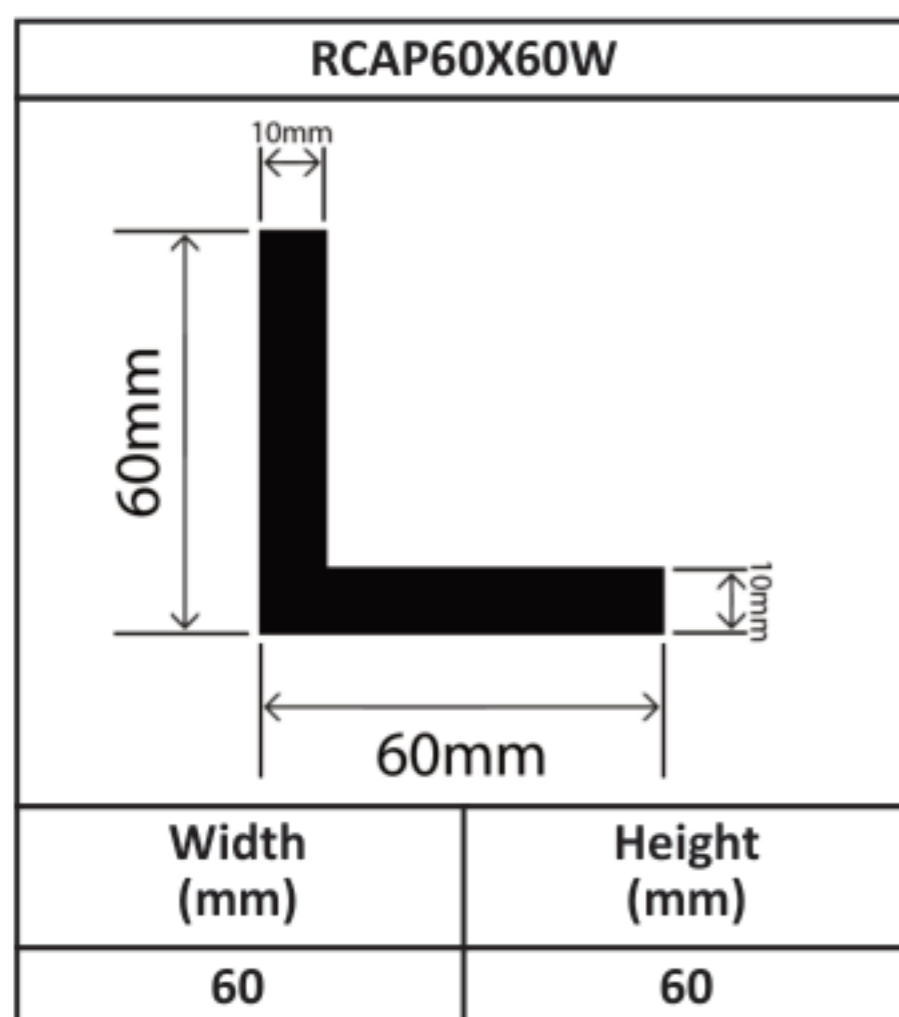
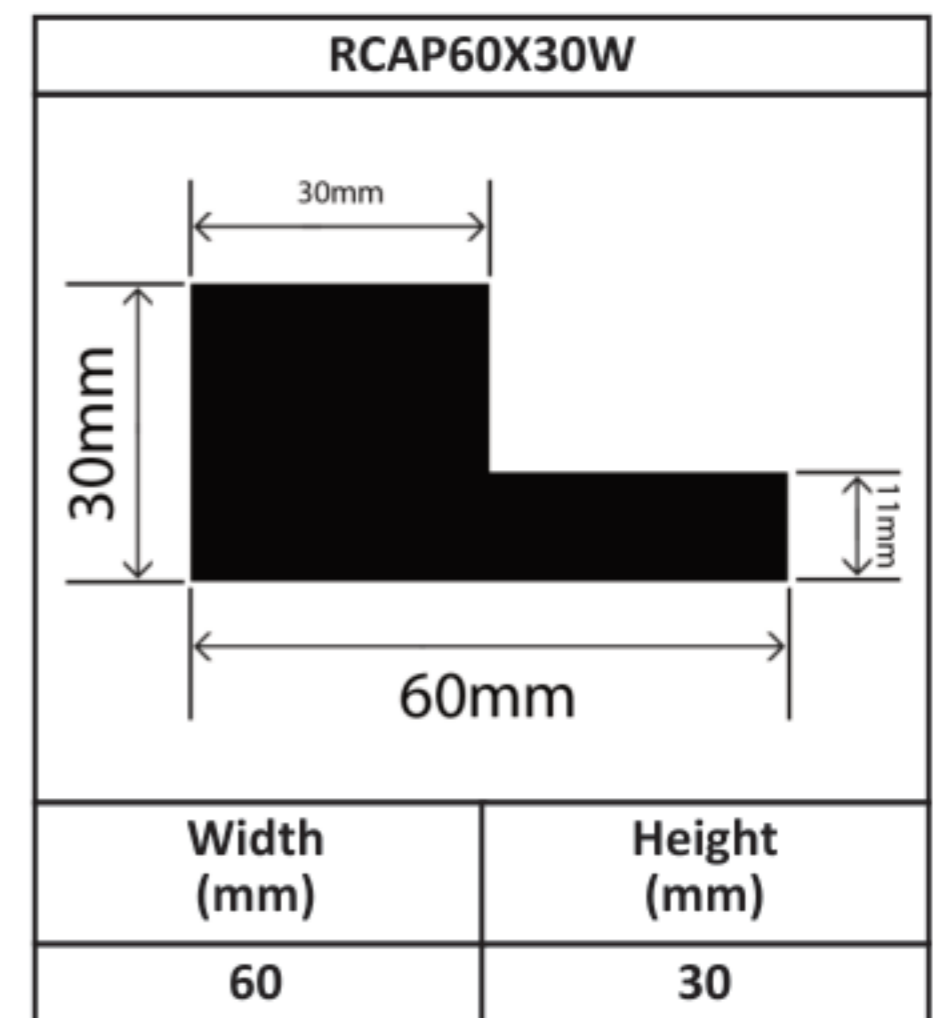
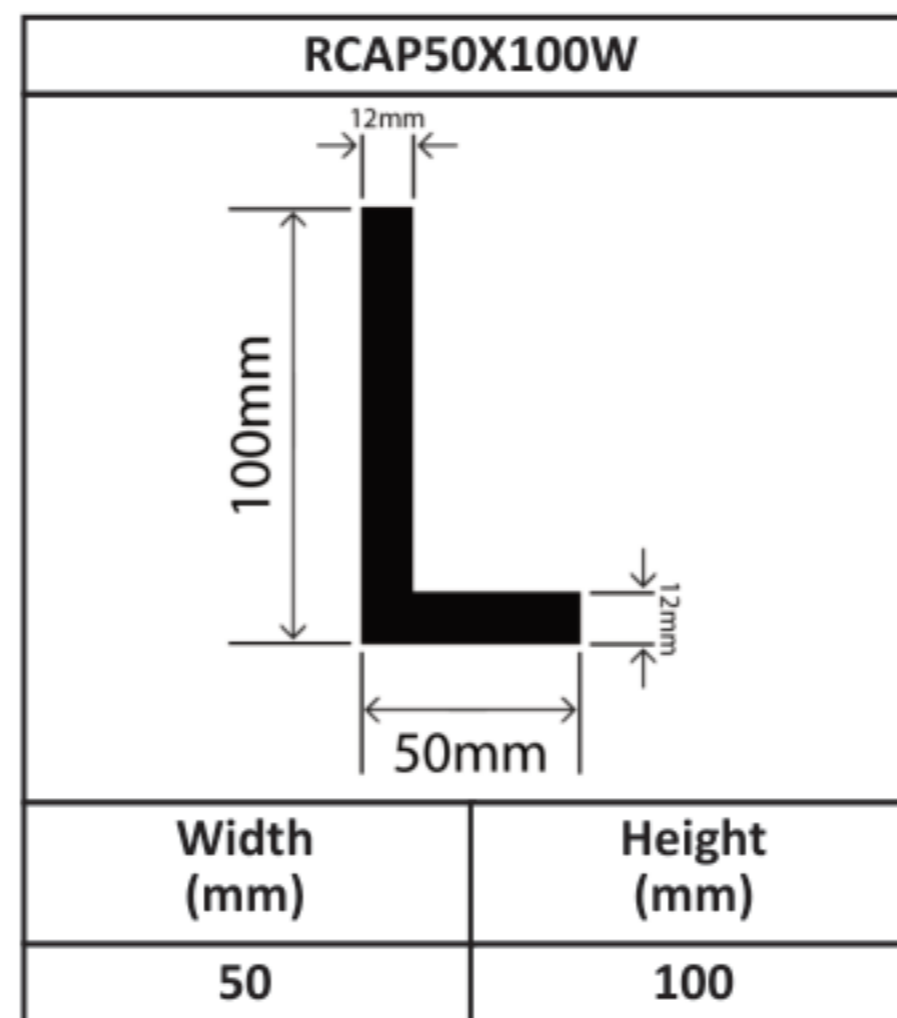
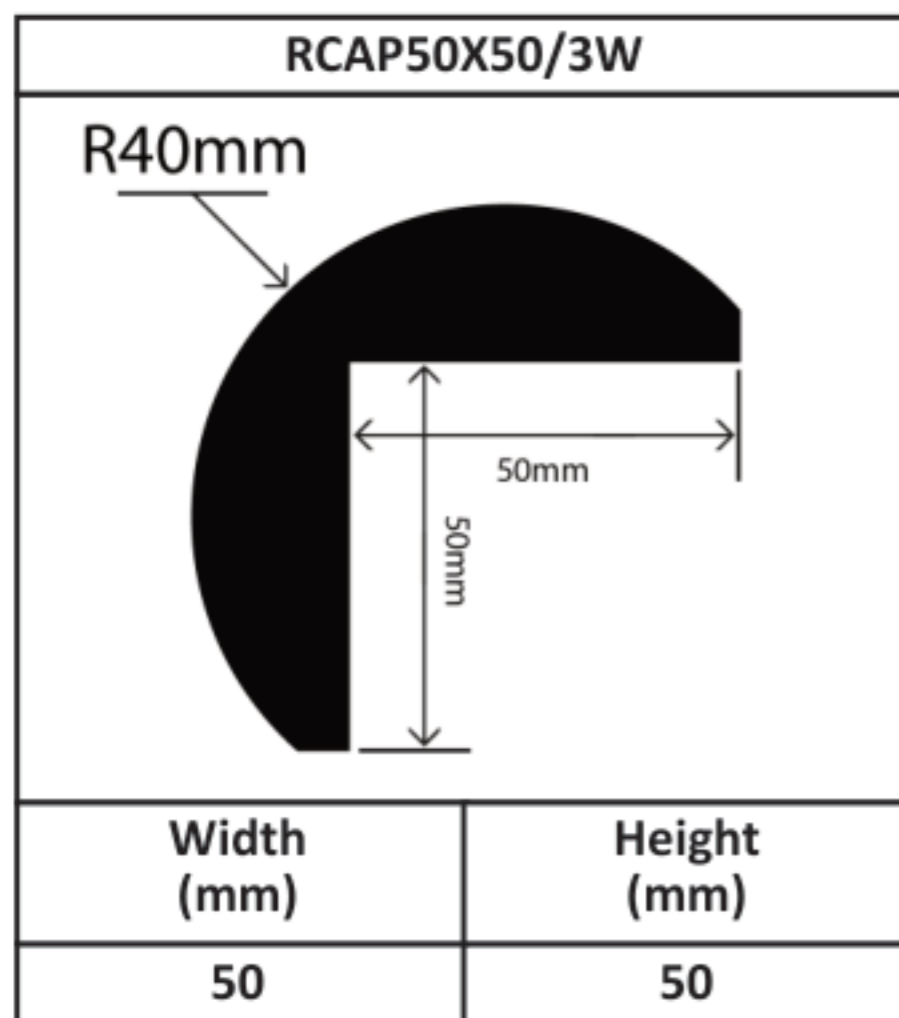
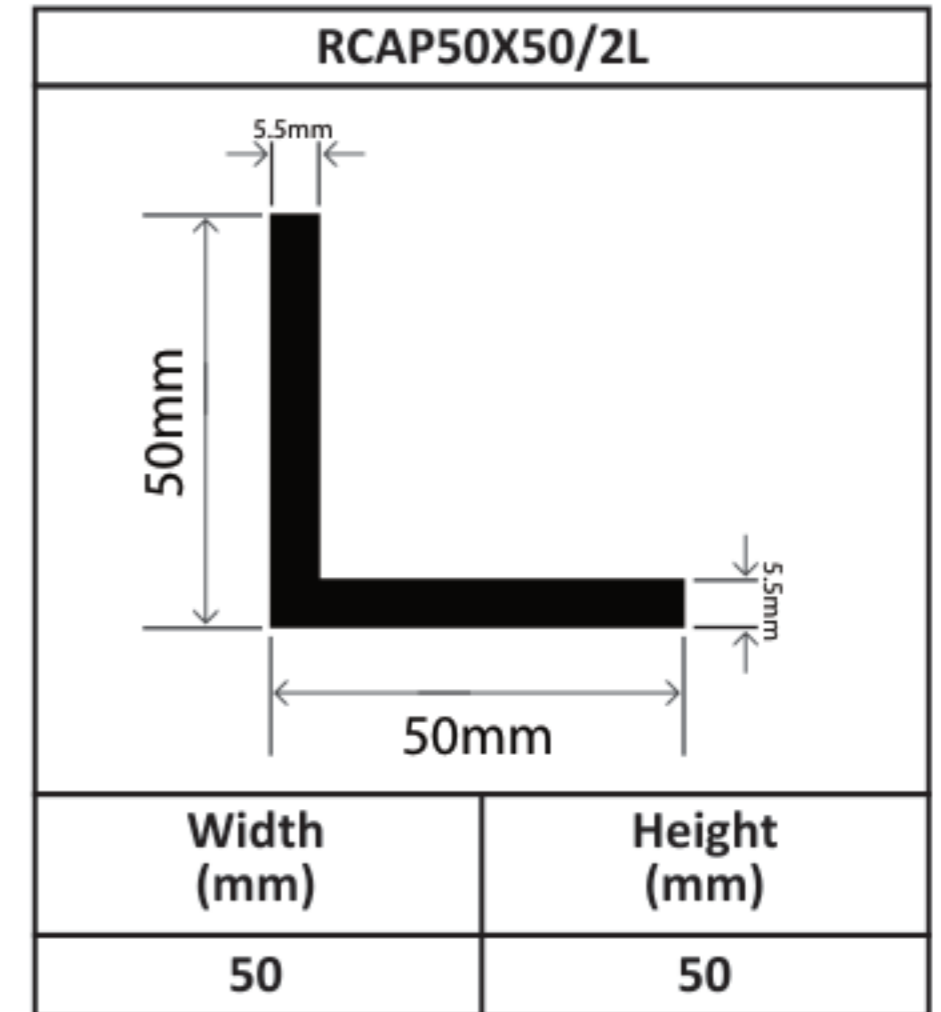
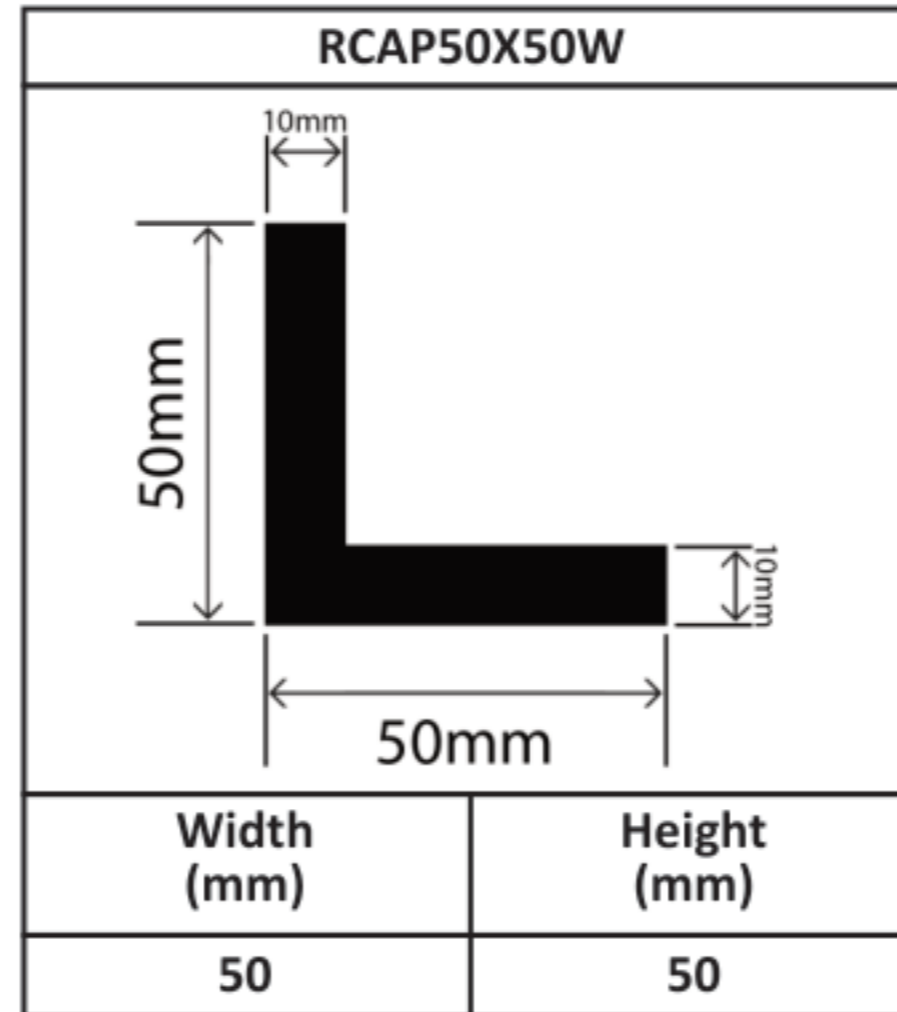
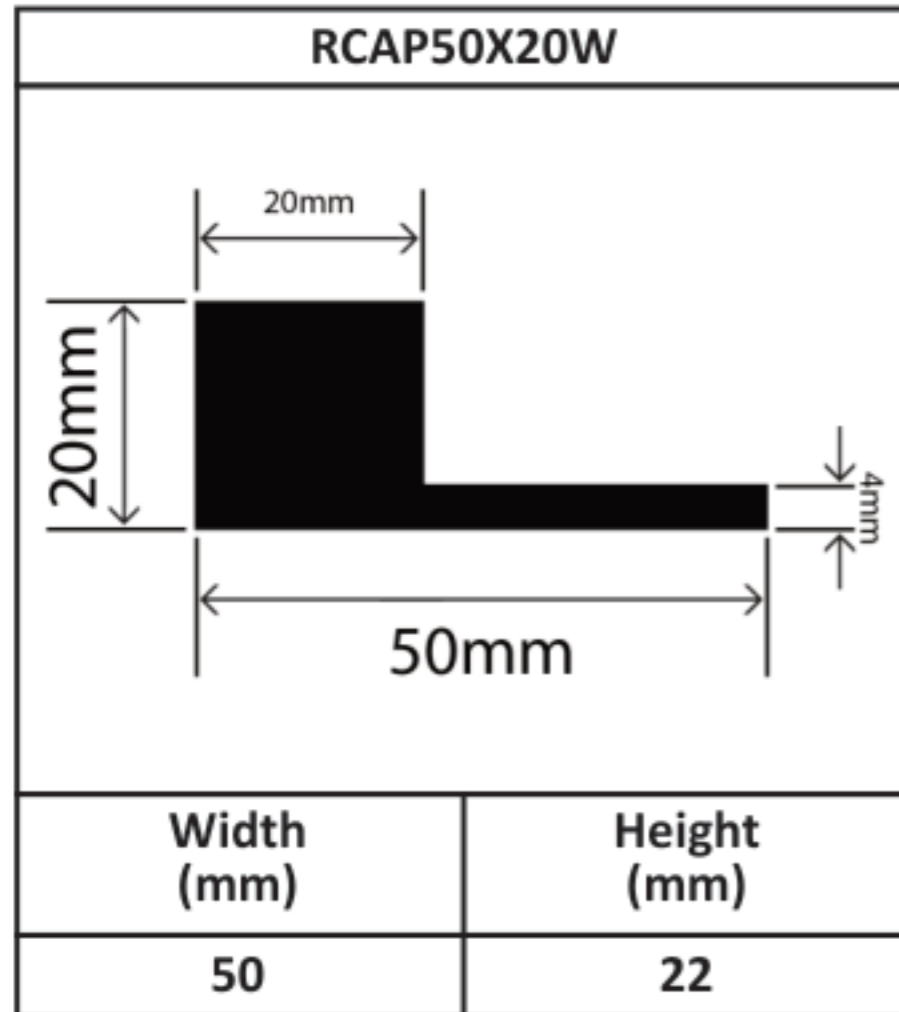
### Rubber Angle Extrusions & L Profiles



### Rubber Angle Extrusions & L Profiles



### Rubber Angle Extrusions & L Profiles



### Rubber Angle Extrusions & L Profiles

