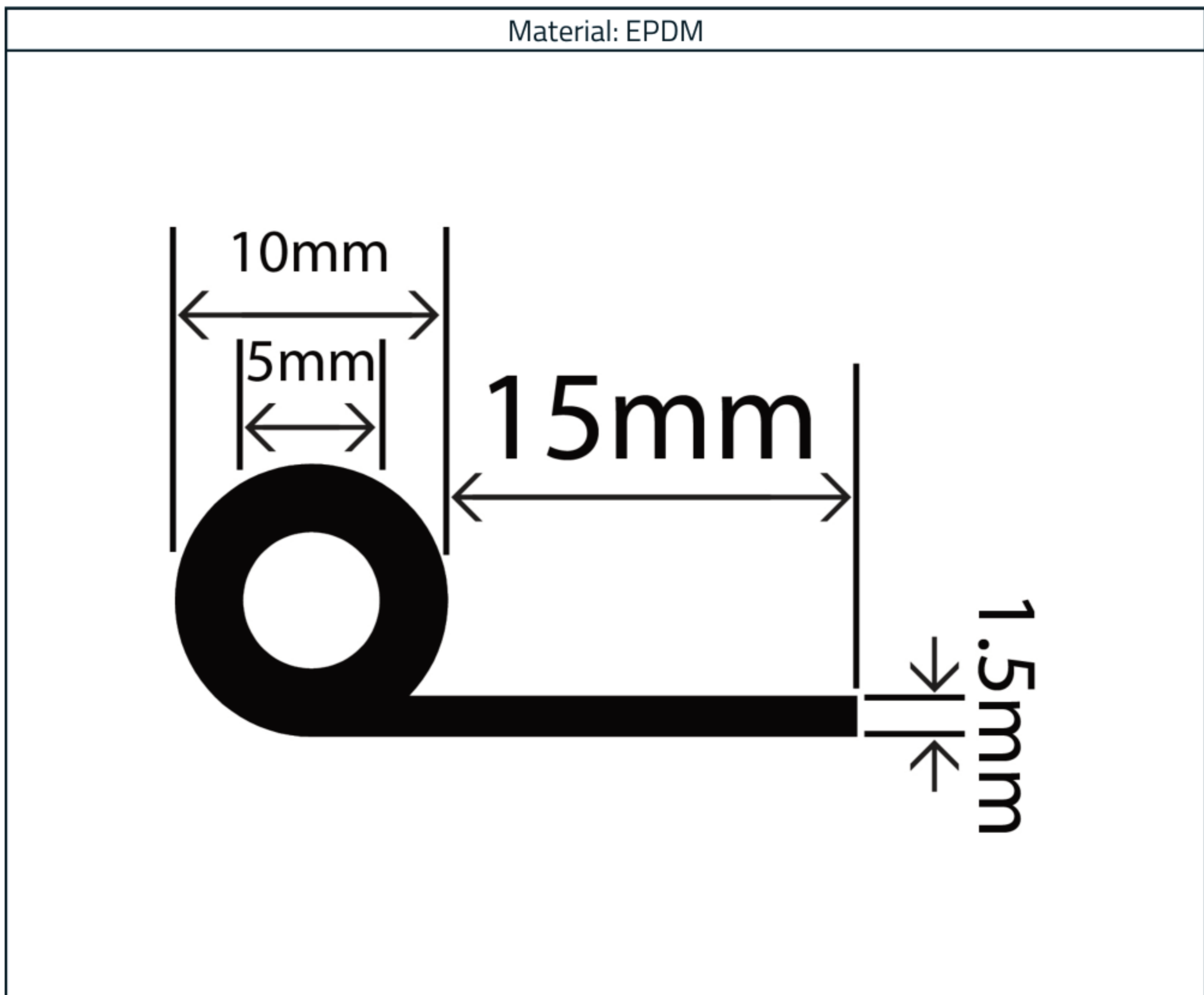


Rubber P Extrusion

Product Code: RC01107

Reference: RC1015



Measurements:

| Bead Diameter |
|---------------|
| Ø10mm |

The information contained on this product information sheet is to be used as guidance. The advice is given in good faith and does not constitute any guarantee or recommendation for suitability. The Rubber Company cannot be held liable for any damage caused by incorrect installation. We hereby reserve the right to change the technical information herewith without notification or prior agreement.

Technical Data

| Specification | Value |
|---|------------|
| Hardness | 65-75 IRHD |
| Tensile Strength | 10 MPA |
| Elongation at break | 500% |
| Tear Strength | 50 kN/M |
| Compression Set (22 hours at 70 °C) | 21% |
| Ozone Resistance (72 hours at 40 °C, 22PPHM, EXT) | No Cracks |
| Ages 70 hours at 70 °C Hardness Change | 0 IRHD |
| Tensile Change | + 9% |
| Elongation at break | 0% |



The information contained on this product information sheet is to be used as guidance. The advice is given in good faith and does not constitute any guarantee or recommendation for suitability. The Rubber Company cannot be held liable for any damage caused by incorrect installation. We hereby reserve the right to change the technical information herewith without notification or prior agreement.