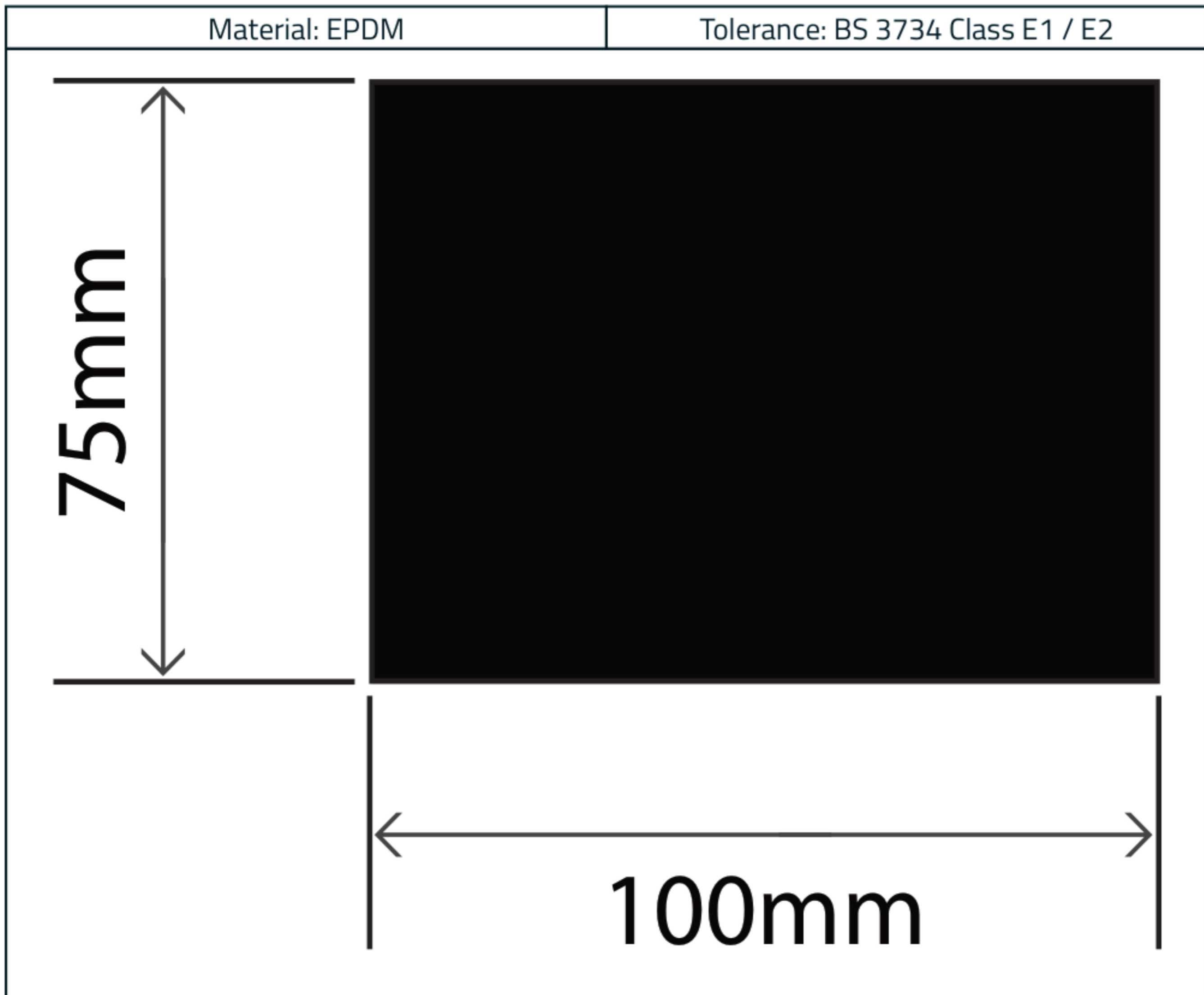


Extruded Hatchseal Profile

Product Code: RC01113

Reference: RC100X75



Measurements:

| Height | Width |
|--------|-------|
| 75mm | 100mm |

Other compounds are available on request subject to minimum order quantities.

The information contained on this product information sheet is to be used as guidance. The advice is given in good faith and does not constitute any guarantee or recommendation for suitability. The Rubber Company cannot be held liable for any damage caused by incorrect installation. We hereby reserve the right to change the technical information herewith without notification or prior agreement.

Technical Data

| Specification | Value |
|---------------|--------------------------------|
| Material | 70 IRHD EPDM |
| Density Range | ASTM D2000, 4AA, 707, A13, B33 |

| Definition | Specification | Actual Value |
|---------------------------------------|---------------|--------------|
| Hardness | 70 +/-5 | 73 |
| Tensile Strength | 7 Mpa min | 10 Mpa |
| Elongation at break | 400% | 430% |
| Compression Set (70°C for 22 hours) % | 35% max | 28% |
| Heat Ageing (70 hours @ 100°C) | | |
| Change in Tensile | -25% max | -18% |
| Change in Elongation | -25% | -18% |
| Change in Hardness | +10 max | +7 |
| Ozone | No cracks | Pass |



The information contained on this product information sheet is to be used as guidance. The advice is given in good faith and does not constitute any guarantee or recommendation for suitability. The Rubber Company cannot be held liable for any damage caused by incorrect installation. We hereby reserve the right to change the technical information herewith without notification or prior agreement.