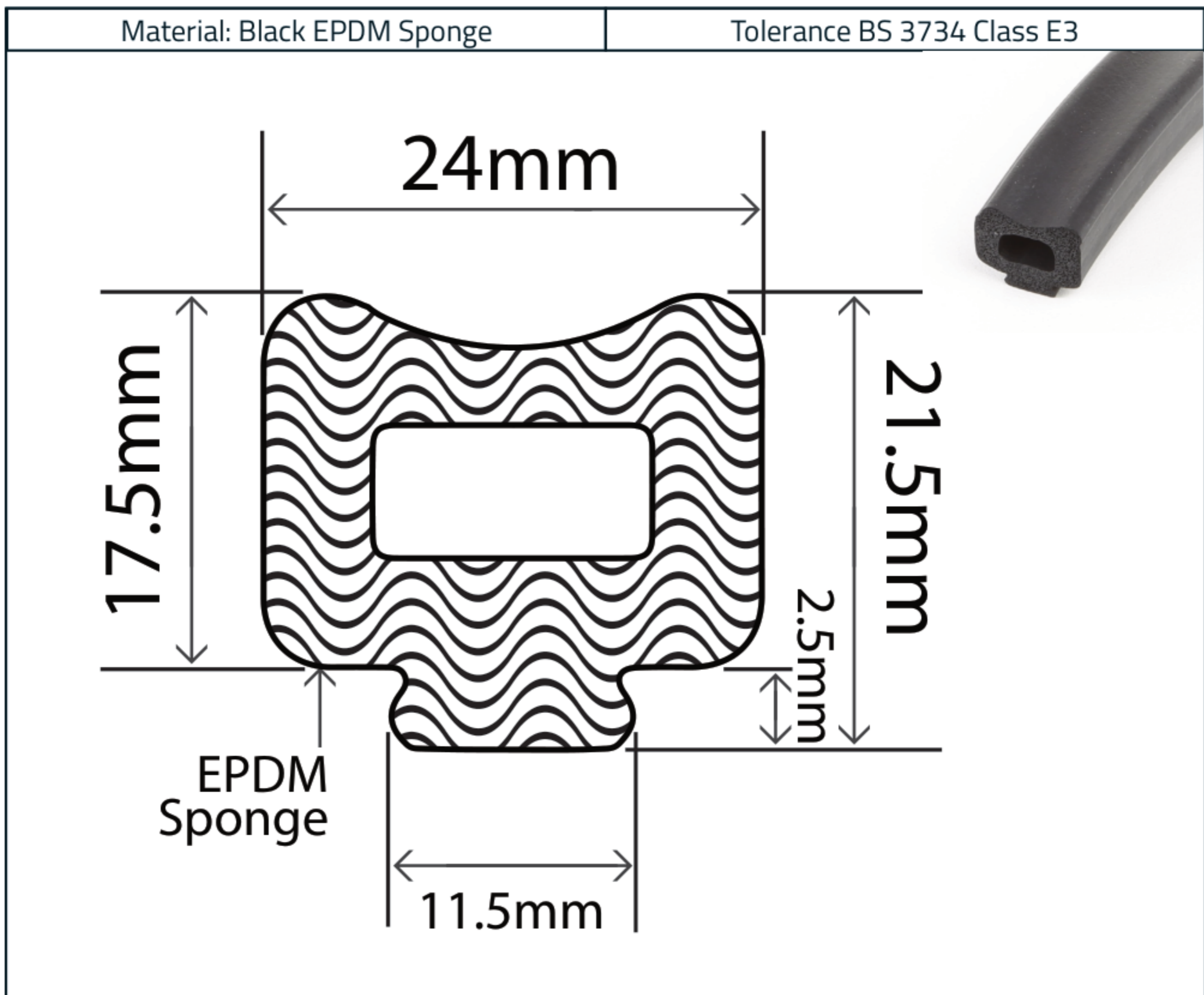


## EPDM Sponge Profile Hood Seal

Product Code: RC-S109



### Details:

1. Sold by either the coil or the metre
2. This product's coil length is 50 metres
3. This product's weight per metre is 0.17 kg
4. This product is made of a flexible sponge material therefore sizes are approximations.

The information contained on this product information sheet is to be used as guidance. The advice is given in good faith and does not constitute any guarantee or recommendation for suitability. The Rubber Company cannot be held liable for any damage caused by incorrect installation. We hereby reserve the right to change the technical information herewith without notification or prior agreement.

### Technical Data

| Specification                       | Value                        |
|-------------------------------------|------------------------------|
| Material                            | EPDM Sponge                  |
| Density Range                       | 0.5 - 0.9 gm/cm <sup>3</sup> |
| Oven Ageing (7 days, 70°C)          | ±30%                         |
| Water Absorption                    | 5% Maximum                   |
| Compression (24 hours recovery)     | 25% Maximum                  |
| Ozone Resistance                    | Excellent                    |
| Weather Resistance                  | Excellent                    |
| Low Temperature Flexibility (-40°C) | Pass                         |
| UV Light Resistance                 | Excellent                    |
| Mould Growth Resistance             | Very Good                    |



The information contained on this product information sheet is to be used as guidance. The advice is given in good faith and does not constitute any guarantee or recommendation for suitability. The Rubber Company cannot be held liable for any damage caused by incorrect installation. We hereby reserve the right to change the technical information herewith without notification or prior agreement.