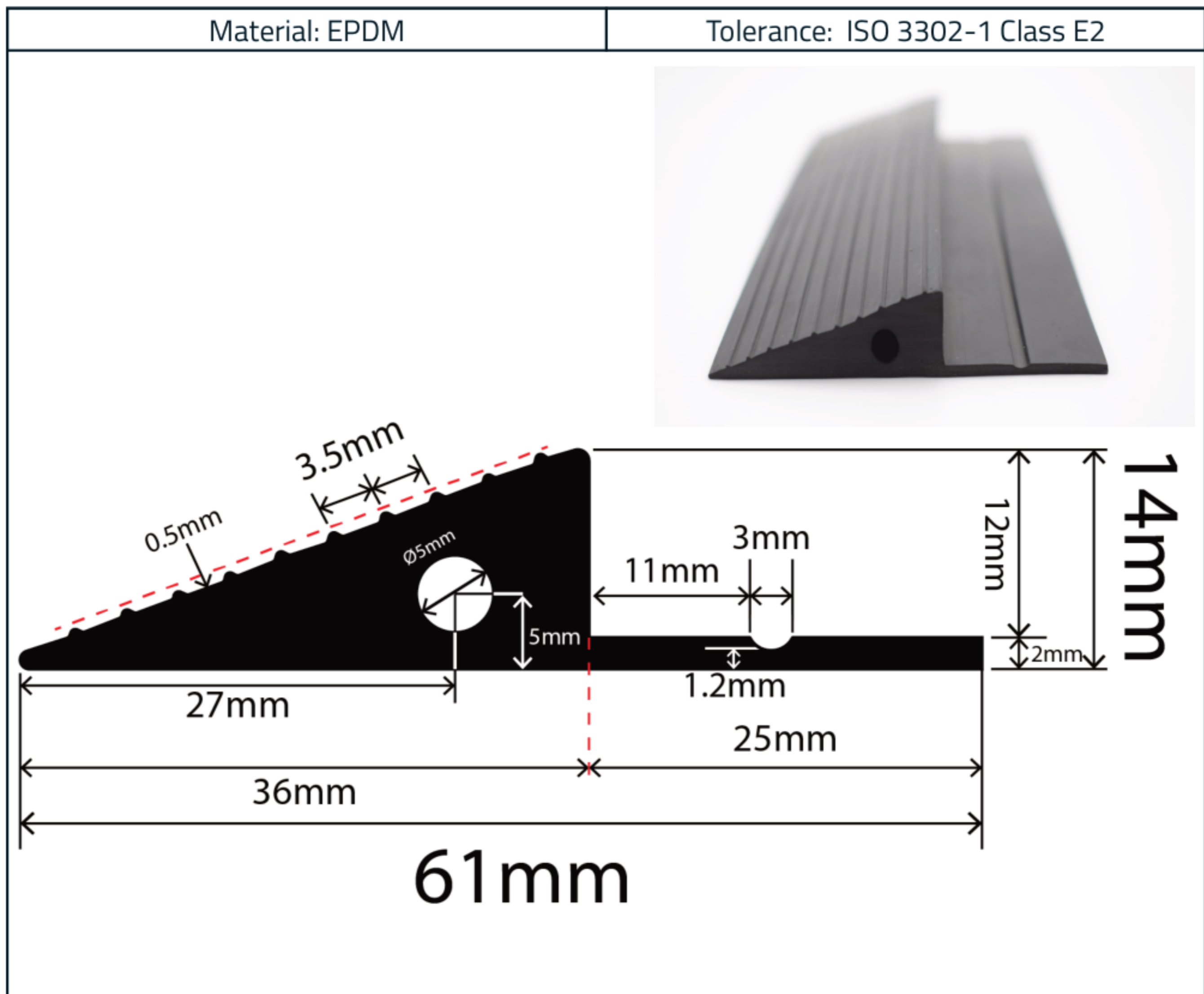


EPDM Ramp Edge Profile - 14mm x 61mm

Product Code: RCAP61X14C



Measurements:

Height	Width
14mm	61mm

The information contained on this product information sheet is to be used as guidance. The advice is given in good faith and does not constitute any guarantee or recommendation for suitability. The Rubber Company cannot be held liable for any damage caused by incorrect installation. We hereby reserve the right to change the technical information herewith without notification or prior agreement.

Technical Data

Property	Value
Scale	3:1
Hardness (Shore A)	70 ±5
Surface Area	303mm ²
Weight	394 gr/m



The information contained on this product information sheet is to be used as guidance. The advice is given in good faith and does not constitute any guarantee or recommendation for suitability. The Rubber Company cannot be held liable for any damage caused by incorrect installation. We hereby reserve the right to change the technical information herewith without notification or prior agreement.