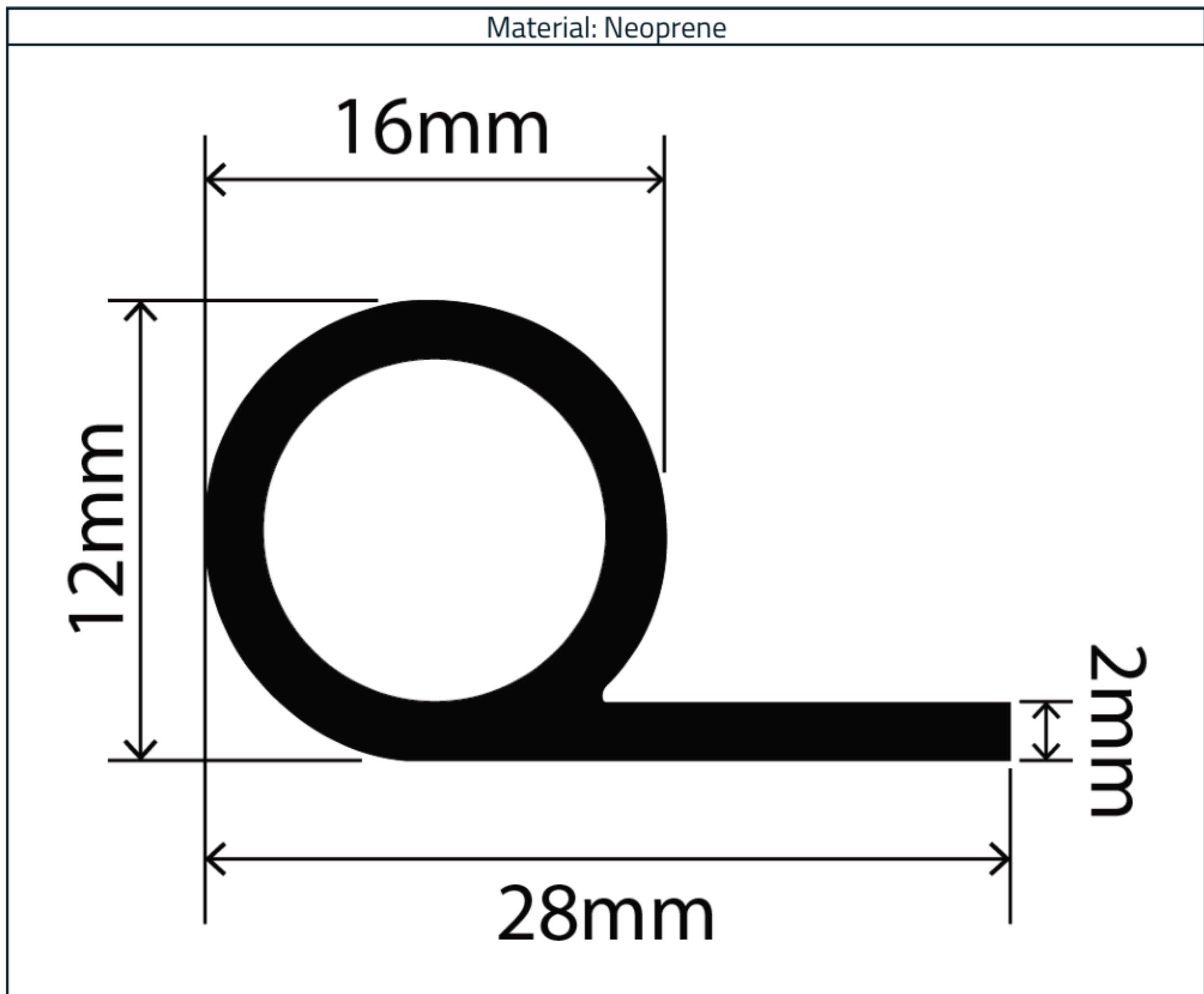


P Profile - 12mm x 28mm

Product Code: RC-L6821



Measurements:

Height	Width
12mm	28mm

The information contained on this product information sheet is to be used as guidance. The advice is given in good faith and does not constitute any guarantee or recommendation for suitability. The Rubber Company cannot be held liable for any damage caused by incorrect installation. We hereby reserve the right to change the technical information herewith without notification or prior agreement.

Technical Data

Property	Value
Moulding conditions 20mins @ 160°C	
Hardness (IRHD)	69
Specific Gravity	1.4 g/cm ³
Tensile Strength	8.77 Mpa
Elongation at Break	255.45%

The values above are typical values for these compounds but must not be taken and used as material specification.



The information contained on this product information sheet is to be used as guidance. The advice is given in good faith and does not constitute any guarantee or recommendation for suitability. The Rubber Company cannot be held liable for any damage caused by incorrect installation. We hereby reserve the right to change the technical information herewith without notification or prior agreement.