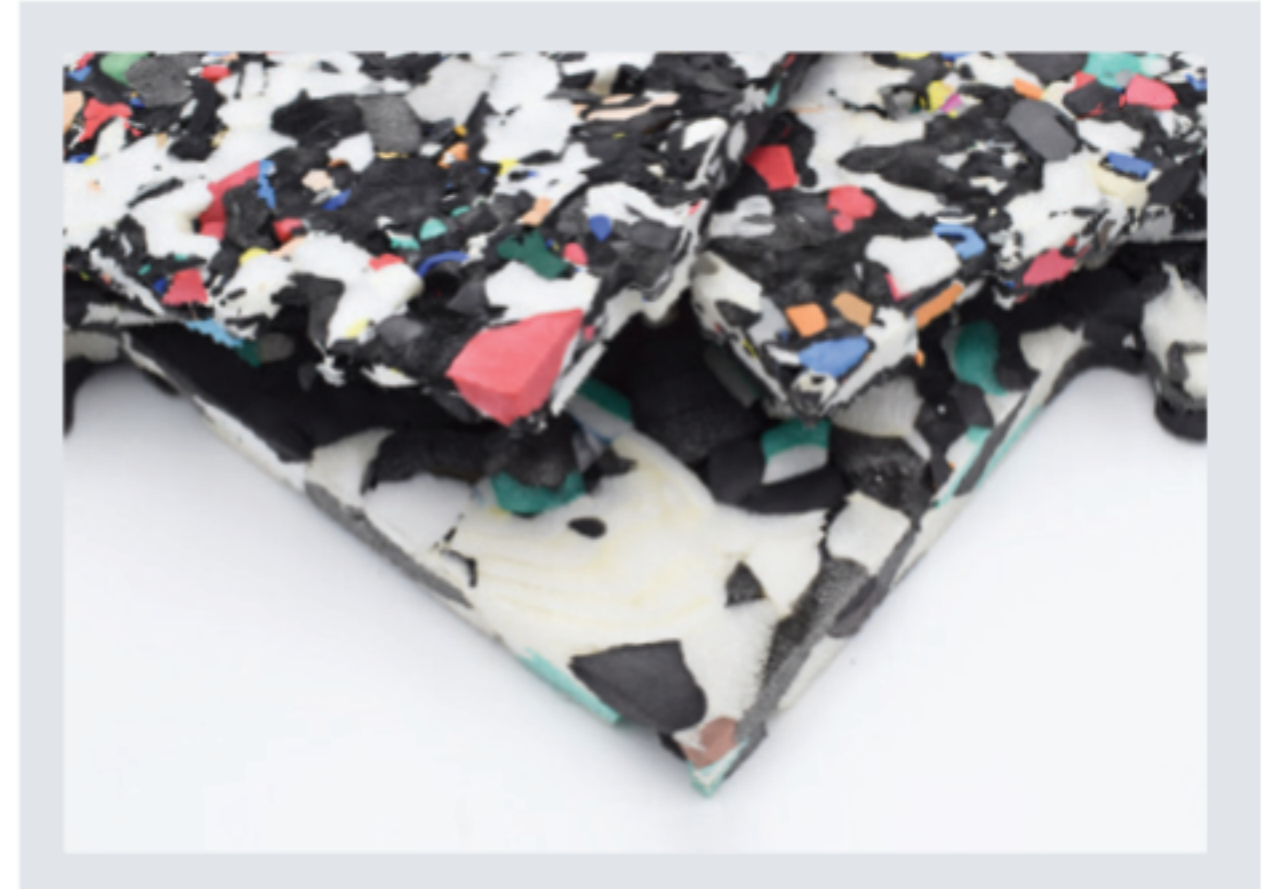


## 45mm Interlocking Foam Shock Pad Underlay Datasheet

Product Code: PAD45-2250

### Product Description

Our puzzle lock foam shock pads are manufactured from perforated polyethylene bonded foam. Designed for use as an artificial grass shock pad underlay, primarily for safer surfaces in playgrounds. The foam shock pads absorb impacts, which help to reduce the risk of serious injury caused from falls from play equipment.



### Technical Specification

Physical Properties	Test Method	Values
Pad Thickness	-	45mm
Density	-	80.0 kg/m <sup>3</sup>
HIC Value (Critical Fall Height) 1 Layer	-	2m
HIC Value (Critical Fall Height) 2 Layers	-	3m
Mass per Unit Area	-	3.6 kg/m <sup>2</sup>

Performance Properties	Test Method	Values
Hardness (Shore A)	ISO R.868	34°
Tensile Strength	EN ISO 1798	0.38 Mpa
Elongation at Break	EN ISO 1798	33.5%
Tear Strength	DIN 53 507	2.13 N/mm
Compression Set (25%, 22hrs @ 23°C)	EN ISO 1856	2.83%
Compression Set (50%, 22hrs @ 23°C)	EN ISO 1856	6.97%
Compression Stress Strength (10%)	EN-ISO 3386/1	40.33 kPa
Compression Stress Strength (25%)	EN-ISO 3386/1	83.67 kPa
Compression Stress Strength (50%)	EN-ISO 3386/1	237.67 kPa
Conditioning (Time, Temperature, Humidity)	-	>72 hours, 22°C, 41%
Thermal Conductivity	-	0.0440-0.0378 KCAL/MH°C – W/MK
Thermal Stability	EN ISO 2796	105°C

The information contained on this product information sheet is to be used as guidance. The advice is given in good faith and does not constitute any guarantee or recommendation for suitability. The Rubber Company cannot be held liable for any damage caused by incorrect installation. We hereby reserve the right to change the technical information herewith without notification or prior agreement.

## 45mm Interlocking Foam Shock Pad Underlay Datasheet

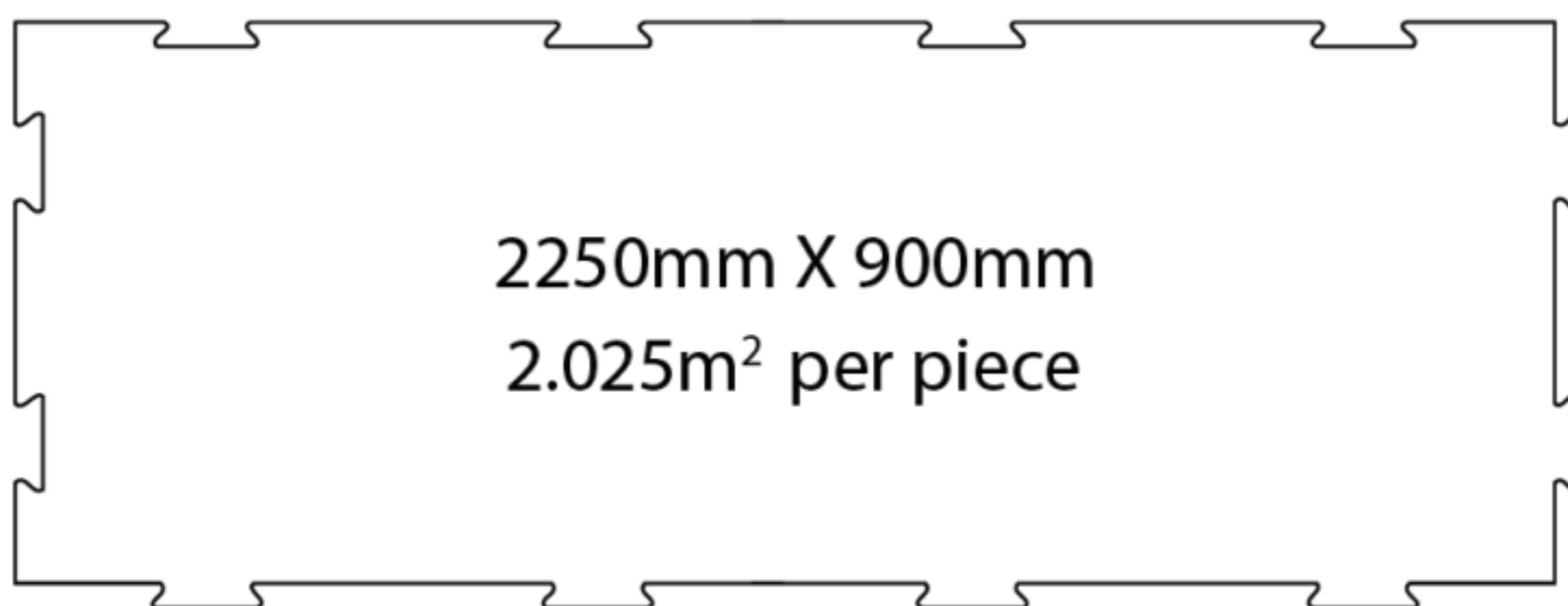
Product Code: PAD45-2250

### Durability

Our interlocking foam shock pad underlay consists of thermal bonded (closed-celled) cross-linked polyethylene foam (from non-contaminated industrial waste) with a predicted durability (according ISO/TR 13434) for a minimum of 100 years but the normal Warranty is tied to the use of turf. Based on microbiological resistant (according EN 12225) Resistant To:

- Weathering (According EN 12224)
- Oxidation (according EN 13438)
- Acids & bases (according EN 14030)

The performance characteristics of PAD45 are hardly effected by simulated (mechanical) wear. The (dimensional) Characteristics of PAD45 are hardly effected by stimulated aging. Based on stability after hot water and hot air (according EN 13744 and EN 13817).



### Key Features

- High quality perforated polyethylene bonded foam shock pads
- Critical fall heights from 2m to 3m
- Any existing surface may be considered suitable to install on (concrete, earth, stone)
- Excellent drainage
- Puzzle system for quick and easy installation
- Good insulation and sound absorption properties
- Environmentally friendly

### Potential Applications

- Impact absorbing underlay
- Play area safety surfacing
- Patio underlay
- Roof Garden underlay
- Shock pad underlay for artificial grass
- Temporary event surfacing
- Sports pitch underlay
- Improve comfort & cushioning under flooring

The information contained on this product information sheet is to be used as guidance. The advice is given in good faith and does not constitute any guarantee or recommendation for suitability. The Rubber Company cannot be held liable for any damage caused by incorrect installation. We hereby reserve the right to change the technical information herewith without notification or prior agreement.