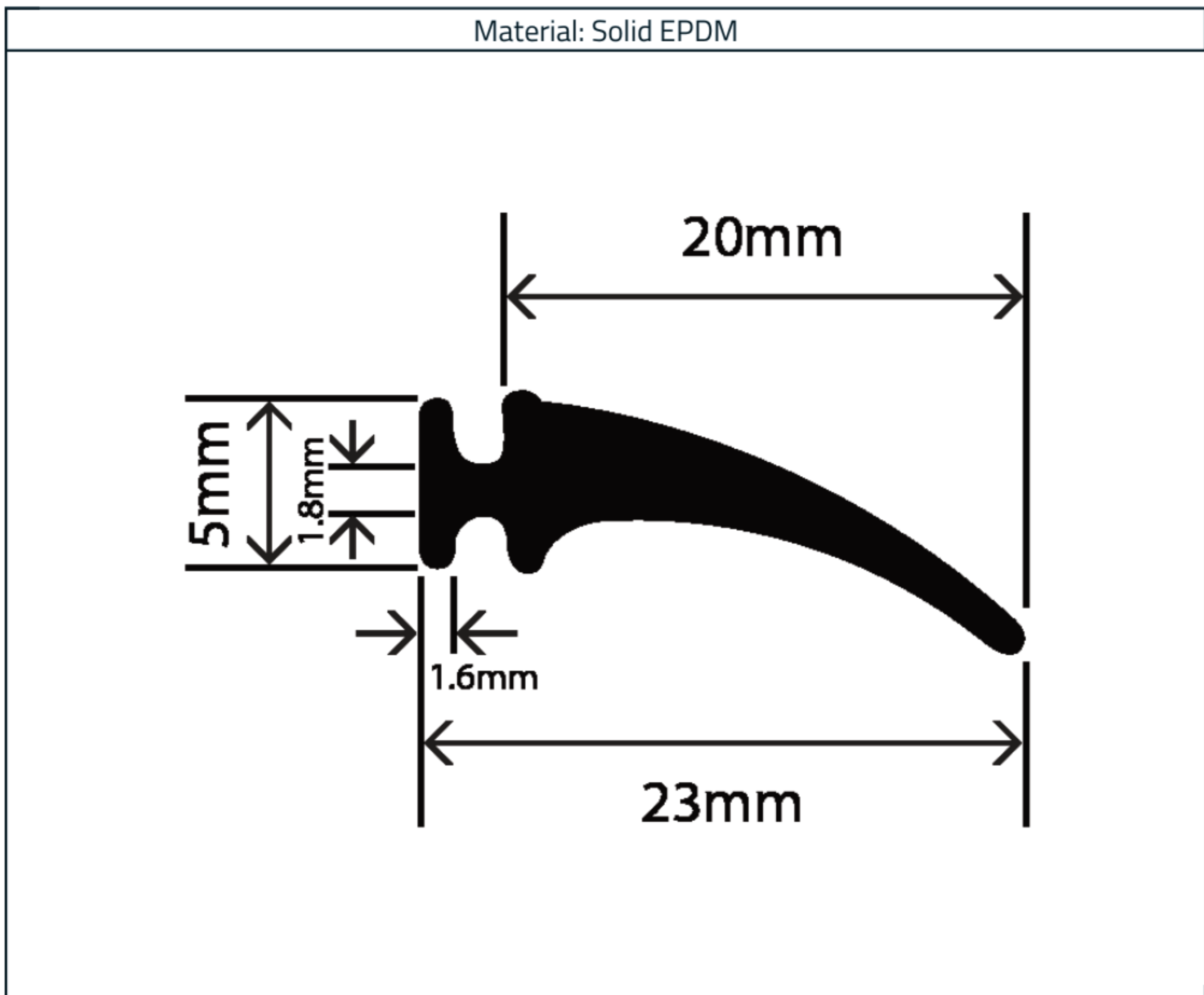


T Glazing Seal Profile 23mm x 5mm

Product Code: RCWS-679



Measurements:

Channel Height	To Fit Panel
23mm	6mm

The information contained on this product information sheet is to be used as guidance. The advice is given in good faith and does not constitute any guarantee or recommendation for suitability. The Rubber Company cannot be held liable for any damage caused by incorrect installation. We hereby reserve the right to change the technical information herewith without notification or prior agreement.

Material Specification

Property	Value
Hardness (Shore A)	65° to 75°
Tensile Strength	8.5 Mpa
Elongation at Break	285%
Compression Set (22hrs @ 70°C)	20%
Operating Temperature Range	-40°C to +120°C
Aged (70hrs @ 70°C)	
Hardness Change	+1°
Tensile Strength Change	+4%
Elongation at Break Change	-9%



The information contained on this product information sheet is to be used as guidance. The advice is given in good faith and does not constitute any guarantee or recommendation for suitability. The Rubber Company cannot be held liable for any damage caused by incorrect installation. We hereby reserve the right to change the technical information herewith without notification or prior agreement.