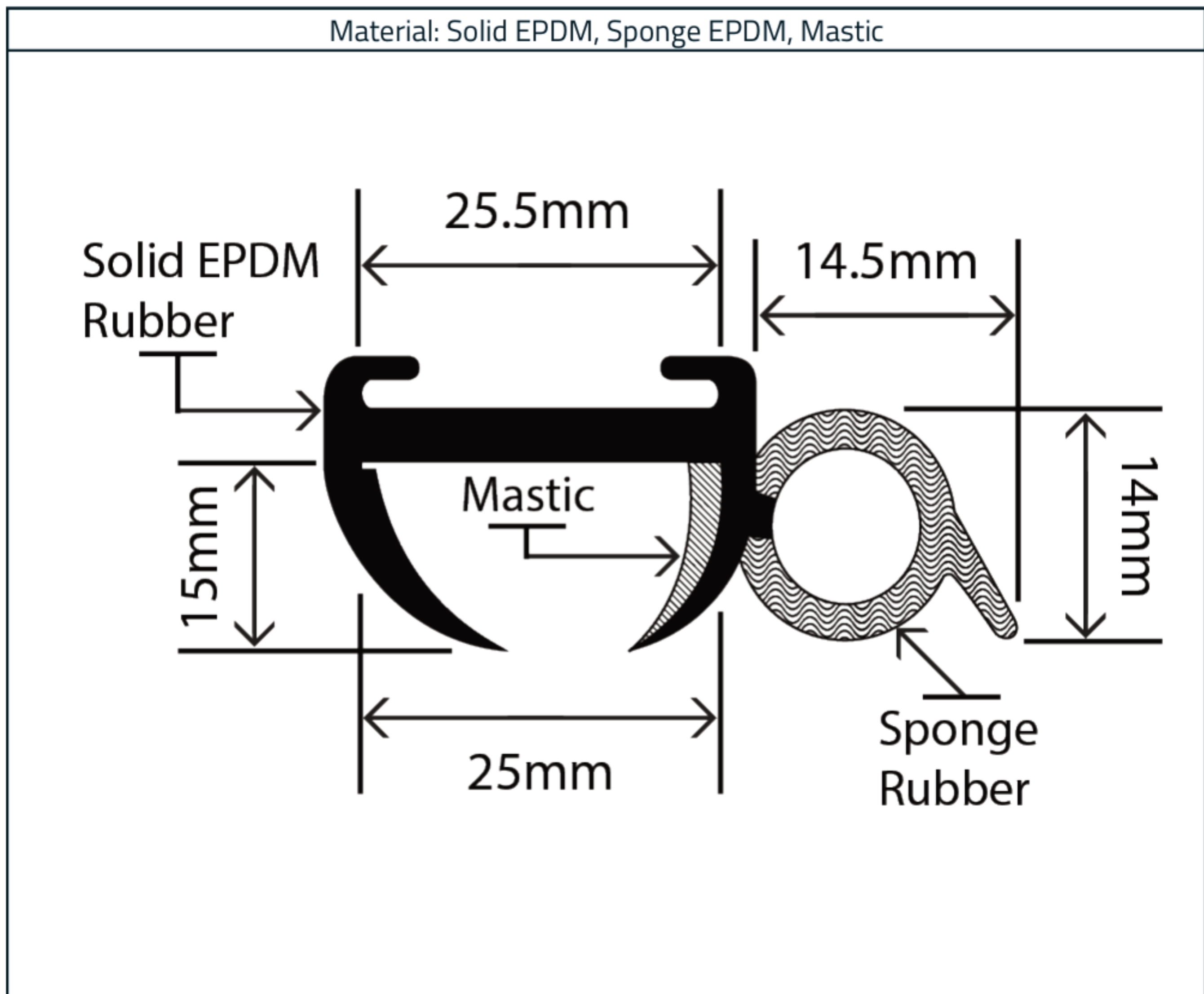


Caravan Window Seal Profile 40mm x 15mm

Product Code: RCWS-02



Measurements:

Channel Height	Channel Width
15mm	25mm

The information contained on this product information sheet is to be used as guidance. The advice is given in good faith and does not constitute any guarantee or recommendation for suitability. The Rubber Company cannot be held liable for any damage caused by incorrect installation. We hereby reserve the right to change the technical information herewith without notification or prior agreement.

Material Specification - Solid Body

Properties - EPDM Rubber	Values
Hardness (Shore A)	65° to 75°
Tensile Strength	8.5 Mpa
Elongation at Break	285%
Compression Set (22hrs @ 70°C)	20%
Operating Temperature Range	-40°C to +120°C
Aged (70hrs @ 70°C)	
Hardness Change	+1°
Tensile Strength Change	+4%
Elongation at Break Change	-9%

Material Specification - Sponge Seal

Properties - EPDM Expanded Sponge	Values
Density	0.5 to 0.9 g/cm ³
Water Absorption	2.5%
Compression Set (50%, 22hrs @ 23°C)	19%
Compression Deflection (25%)	80 KPa
Heat Resistance (168hrs @ 70°C)	
Compression Deflection Change	-4%

Properties - Mastic Sealant	Values
Specific Gravity (ASTM D-71)	1.3 g/cm ³
Softening Point (ASTM D-36)	200°C
Elongation at 25°C	300% (min)
Operating Temperature Range	-40°C to +90°C



The information contained on this product information sheet is to be used as guidance. The advice is given in good faith and does not constitute any guarantee or recommendation for suitability. The Rubber Company cannot be held liable for any damage caused by incorrect installation. We hereby reserve the right to change the technical information herewith without notification or prior agreement.