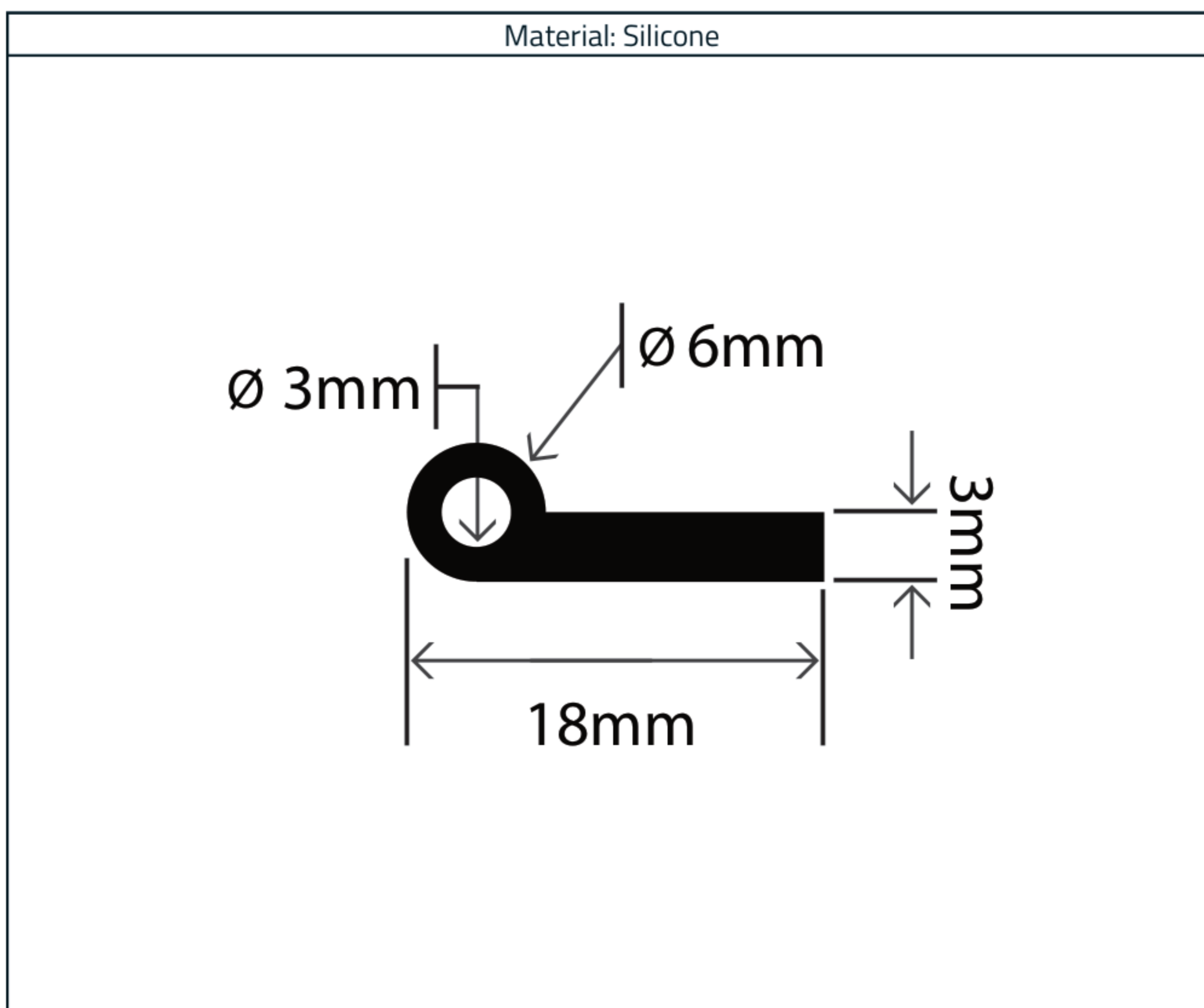


Hollow Silicone P Profile 18mm x 6mm

Product Code: RCSP18X3SR



Measurements:

| Height | Width | Bead Inner Diameter |
|--------|-------|---------------------|
| 6mm | 18mm | 3mm |

The information contained on this product information sheet is to be used as guidance. The advice is given in good faith and does not constitute any guarantee or recommendation for suitability. The Rubber Company cannot be held liable for any damage caused by incorrect installation. We hereby reserve the right to change the technical information herewith without notification or prior agreement.

Technical Data

This profile can be manufactured from a variety of general purpose silicone rubber grades as standard. All of the available grades feature excellent stability and physical properties. This profile can be supplied either pigmented or transparent.

Temperature Range (Working)

-65°C to +200°C

Material Specification - 40° Shore

| Properties | Tested Method | Values |
|--------------------------------|---------------|------------------------|
| Polymer | - | Silicone |
| Hardness (Shore A) | DIN 53505 | 40° +/- 5° |
| Density (Specific Gravity) | DIN 53 479A | 1.12 g/cm ³ |
| Tensile Strength | DIN 53504-SI | 9.3 N/mm ² |
| Elongation at Break | DIN 53504-SI | 570% |
| Tear Resistance | ASTM D 624 B | 16 N/mm |
| Impact Resistance | DIN 53512 | 57% |
| Compression Set (22rs @ 175°C) | DIN 53517 | 35% |

Material Specification - 50° Shore

| Properties | Tested Method | Values |
|--------------------------------|---------------|------------------------|
| Polymer | - | Silicone |
| Hardness (Shore A) | DIN 53505 | 50° +/- 5° |
| Density (Specific Gravity) | DIN 53 479A | 1.14 g/cm ³ |
| Tensile Strength | DIN 53504-SI | 10.4 N/mm ² |
| Elongation at Break | DIN 53504-SI | 500% |
| Tear Resistance | ASTM D 624 B | 21 N/mm |
| Impact Resistance | DIN 53512 | 54% |
| Compression Set (22rs @ 175°C) | DIN 53517 | 35% |

The information contained on this product information sheet is to be used as guidance. The advice is given in good faith and does not constitute any guarantee or recommendation for suitability. The Rubber Company cannot be held liable for any damage caused by incorrect installation. We hereby reserve the right to change the technical information herewith without notification or prior agreement.

Material Specification - 60° Shore

| Properties | Tested Method | Values |
|--------------------------------|---------------|------------------------|
| Polymer | - | Silicone |
| Hardness (Shore A) | DIN 53505 | 60° +/- 5° |
| Density (Specific Gravity) | DIN 53 479A | 1.15 g/cm ³ |
| Tensile Strength | DIN 53504-SI | 10.4 N/mm ² |
| Elongation at Break | DIN 53504-SI | 470% |
| Tear Resistance | ASTM D 624 B | 21 N/mm |
| Impact Resistance | DIN 53512 | 58% |
| Compression Set (22rs @ 175°C) | DIN 53517 | 35% |

Material Specification - 70° Shore

| Properties | Tested Method | Values |
|--------------------------------|---------------|------------------------|
| Polymer | - | Silicone |
| Hardness (Shore A) | DIN 53505 | 70° +/- 5° |
| Density (Specific Gravity) | DIN 53 479A | 1.17 g/cm ³ |
| Tensile Strength | DIN 53504-SI | 10.7 N/mm ² |
| Elongation at Break | DIN 53504-SI | 440% |
| Tear Resistance | ASTM D 624 B | 22 N/mm |
| Impact Resistance | DIN 53512 | 56% |
| Compression Set (22rs @ 175°C) | DIN 53517 | 35% |

Material Specification - 80° Shore

| Properties | Tested Method | Values |
|--------------------------------|---------------|------------------------|
| Polymer | - | Silicone |
| Hardness (Shore A) | DIN 53505 | 80° +/- 5° |
| Density (Specific Gravity) | DIN 53 479A | 1.19 g/cm ³ |
| Tensile Strength | DIN 53504-SI | 9.6 N/mm ² |
| Elongation at Break | DIN 53504-SI | 350% |
| Tear Resistance | ASTM D 624 B | 21 N/mm |
| Impact Resistance | DIN 53512 | 54% |
| Compression Set (22rs @ 175°C) | DIN 53517 | 40% |

The information contained on this product information sheet is to be used as guidance. The advice is given in good faith and does not constitute any guarantee or recommendation for suitability. The Rubber Company cannot be held liable for any damage caused by incorrect installation. We hereby reserve the right to change the technical information herewith without notification or prior agreement.