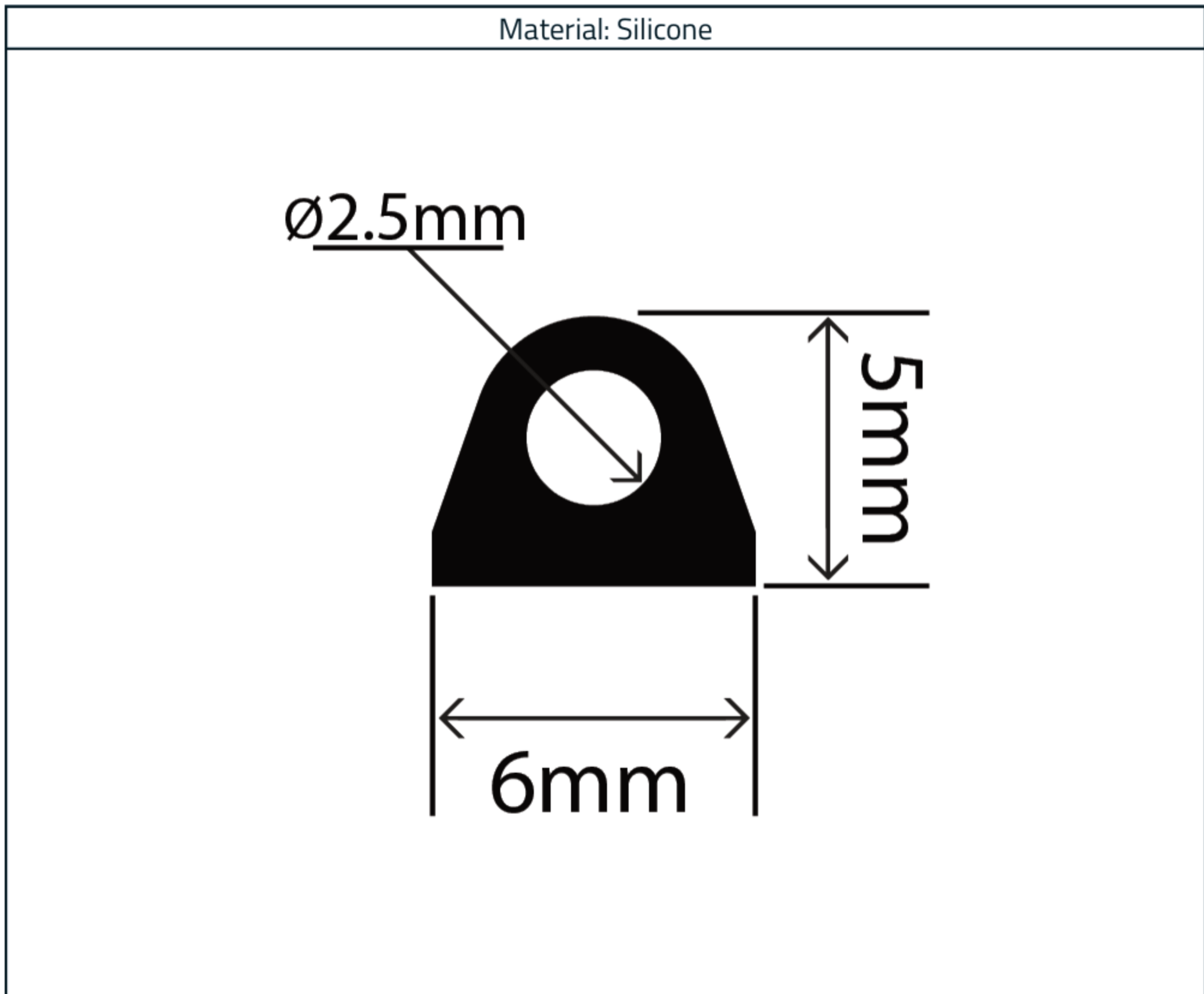


## Hollow Silicone D Profile RCSHD6X5V



### Measurements:

| Height | Width |
|--------|-------|
| 5mm    | 6mm   |

The information contained on this product information sheet is to be used as guidance. The advice is given in good faith and does not constitute any guarantee or recommendation for suitability. The Rubber Company cannot be held liable for any damage caused by incorrect installation. We hereby reserve the right to change the technical information herewith without notification or prior agreement.

## Technical Data

### Material Specification

| Properties                               | Values  |
|--|---|
| Polymer                                  | Silicone  |
| Hardness (Shore A)                       | 61  |
| Operating Temperature Range              | -50°C to +180°C (working)<br>Up to 200°C (intermittent) |
| Density (Specific Gravity)               | Approx. 1.15 g/cm <sup>3</sup>                          |
| Tensile Strength                         | 11.00 N/mm <sup>2</sup>                                 |
| Compression Set (20% Deflection at 70°C) | 31%   |
| Elongation at Break                      | 440%  |



The information contained on this product information sheet is to be used as guidance. The advice is given in good faith and does not constitute any guarantee or recommendation for suitability. The Rubber Company cannot be held liable for any damage caused by incorrect installation. We hereby reserve the right to change the technical information herewith without notification or prior agreement.