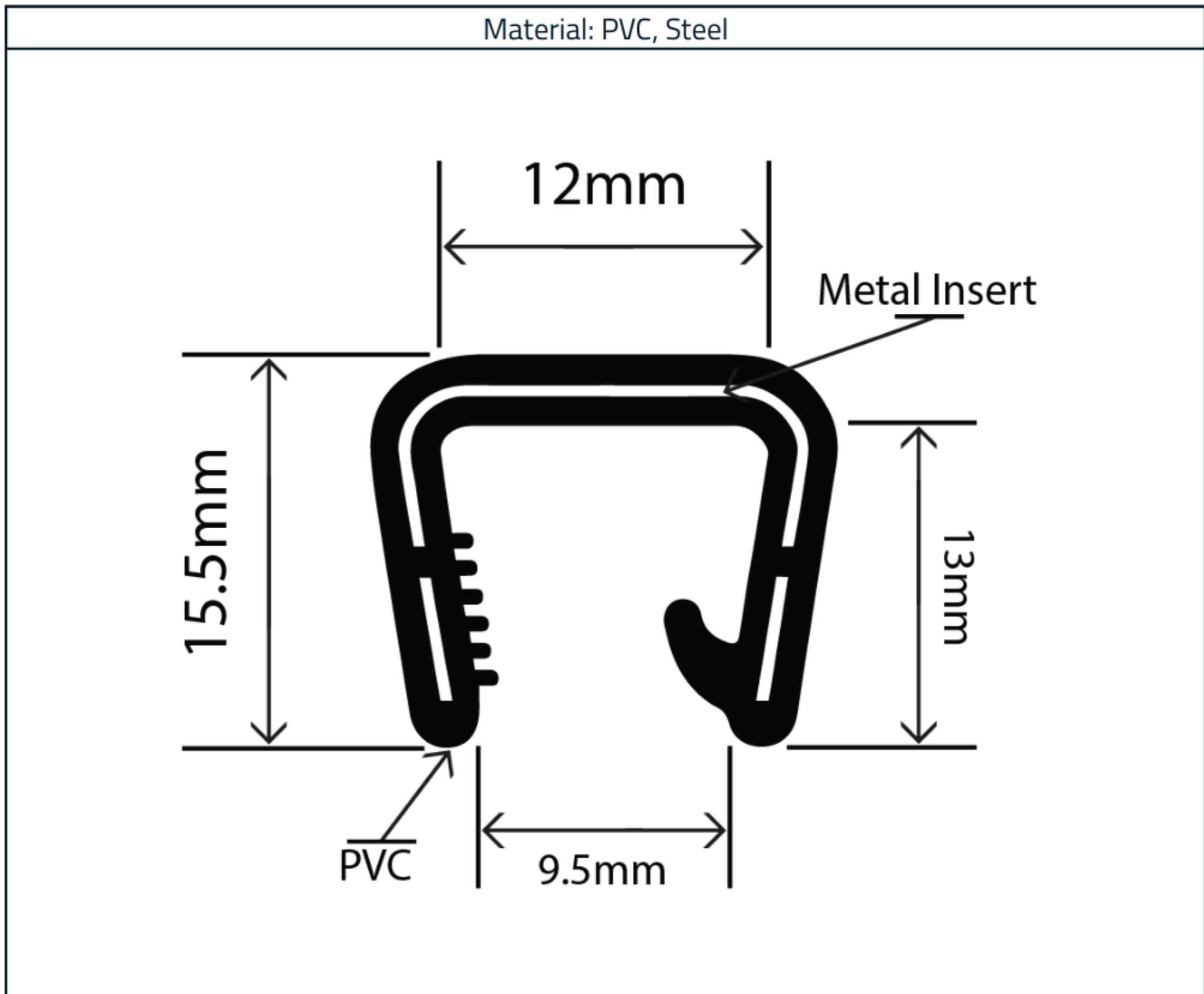


PVC Self Grip Edge Trim 12mm x 15.5mm

Product Code: RCET12X15.5L



Measurements:

Height	Width	To Fit Panel
15.5mm	12mm	8mm - 9.5mm

The information contained on this product information sheet is to be used as guidance. The advice is given in good faith and does not constitute any guarantee or recommendation for suitability. The Rubber Company cannot be held liable for any damage caused by incorrect installation. We hereby reserve the right to change the technical information herewith without notification or prior agreement.

Material Description

PVC (also known as polyvinyl-chloride) is an incredibly popular and versatile material, that has been widely produced for more than 55 years. There are many advantages to manufacturing from PVC as it is an incredibly stable material. It provides excellent resistance against weathering deterioration, it does not corrode, it is very hard to burn and does not depolymerize.

PVC is commonly used in construction, medicine (instruments) and packaging applications. There is a difference to be made between hard PVC, which is used in pipes, in profiles for windows and borders (ratio of PVC 77/89%) and soft PVC, which is used in insulation tubes, flooring and edge protection profiles (ratio of 44-61%).

Material Specification

Properties	Values
Polymer	PVC
Hardness (Shore A)	70° +/- 3°
Density (Specific Gravity)	1.40 g/cm ³
Tensile Strength	>11.0 MPa
Elongation at Break	260%
Operating Temperature Range	-25°C to +75°C

Steel or Wire Insert

By using either a steel or wire carrier, the edge trim profiles will grip well without the use of splicing tape. However, the use of a steel carrier will have a greater clamping effect than a wire carrier.

The disadvantage of a profile with an unbroken steel carrier is a restricted bending radius over the lateral blade. This can be solved by breaking the connecting bridges. However, a slightly uneven strand may develop if this is done. In most technical application the appearance will be irrelevant.



The information contained on this product information sheet is to be used as guidance. The advice is given in good faith and does not constitute any guarantee or recommendation for suitability. The Rubber Company cannot be held liable for any damage caused by incorrect installation. We hereby reserve the right to change the technical information herewith without notification or prior agreement.