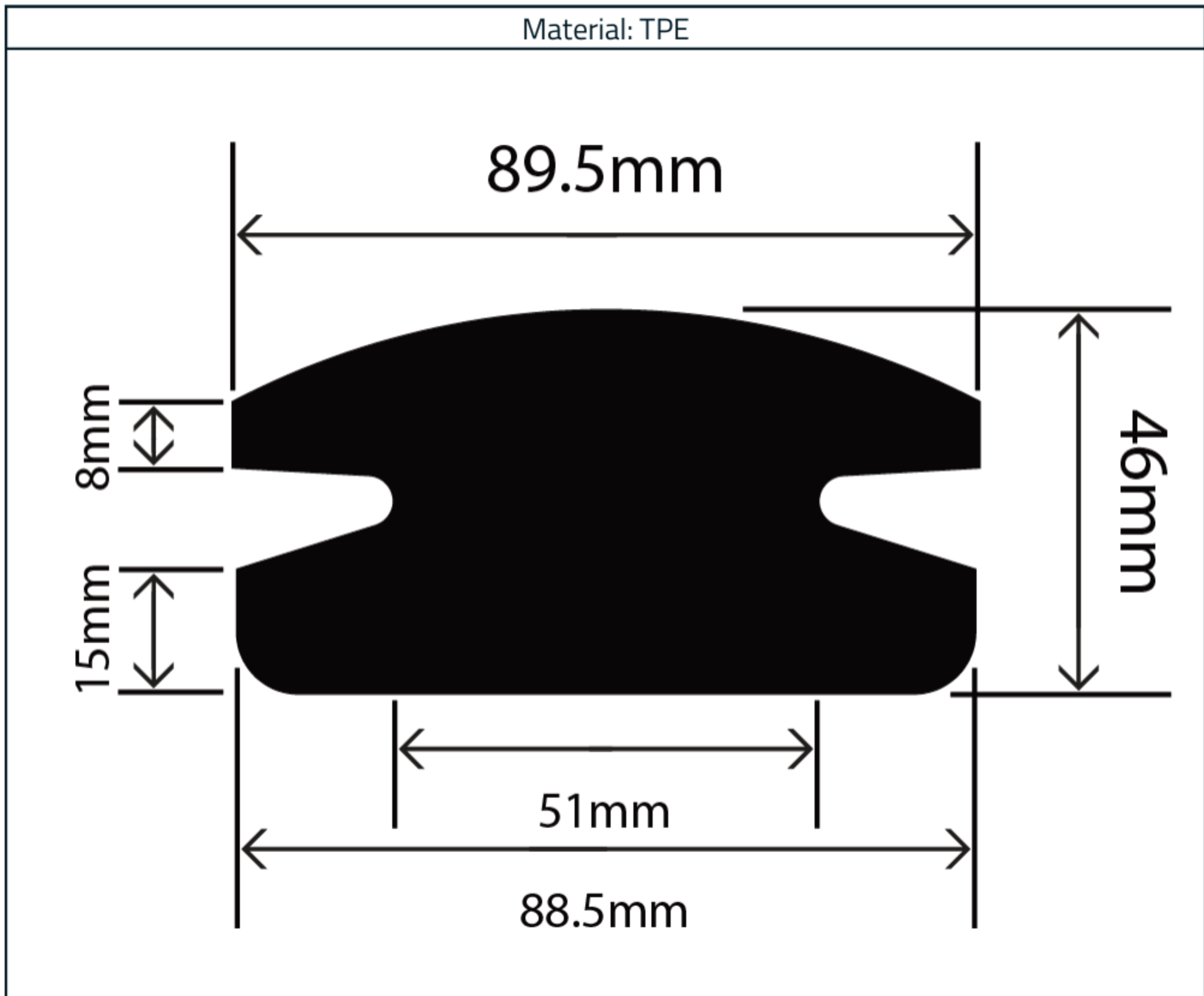


TPE Brick Grab Rubber Profile 89.5mm x 46mm

Product Code: RCBG89.5X46P



Measurements:

Height	Width
46mm	89.5mm

The information contained on this product information sheet is to be used as guidance. The advice is given in good faith and does not constitute any guarantee or recommendation for suitability. The Rubber Company cannot be held liable for any damage caused by incorrect installation. We hereby reserve the right to change the technical information herewith without notification or prior agreement.

Material Description

Our P404 compound is a thermoplastic elastomer rubber of the SEBS type. It provides excellent mechanical properties such as a high tensile strength and elongation break point. This compound also features good resistance against atmospheric agents, ageing, to UV deterioration. P404TR is 100% recyclable.

Technical Specification

Specification	Test Method	Value
Hardness (Shore A)	ASTM D2240	67°
Density	ASTM D792	1.2kg/m ³
Tensile Strength	ASTM D412	7.0 MPa
Elongation at Break	ASTM D412	750%
Compression Set (22 hours, 23°C)	ASTM D395	15%
Compression Set (22 hours, 70°C)	ASTM D395	29%
Compression Set (22 hours, 100°C)	ASTM D395	54%
Reflexometric Fogging (3 hours, 100°C)	DIN 75201 A	96%
Gravimetric Fogging (16 hours, 100°C)	DIN 75201 B	10.65 MG
Operating Temperature	-	-40.0°C to +90.0°C
Colour	-	White (as standard), colourable



The information contained on this product information sheet is to be used as guidance. The advice is given in good faith and does not constitute any guarantee or recommendation for suitability. The Rubber Company cannot be held liable for any damage caused by incorrect installation. We hereby reserve the right to change the technical information herewith without notification or prior agreement.