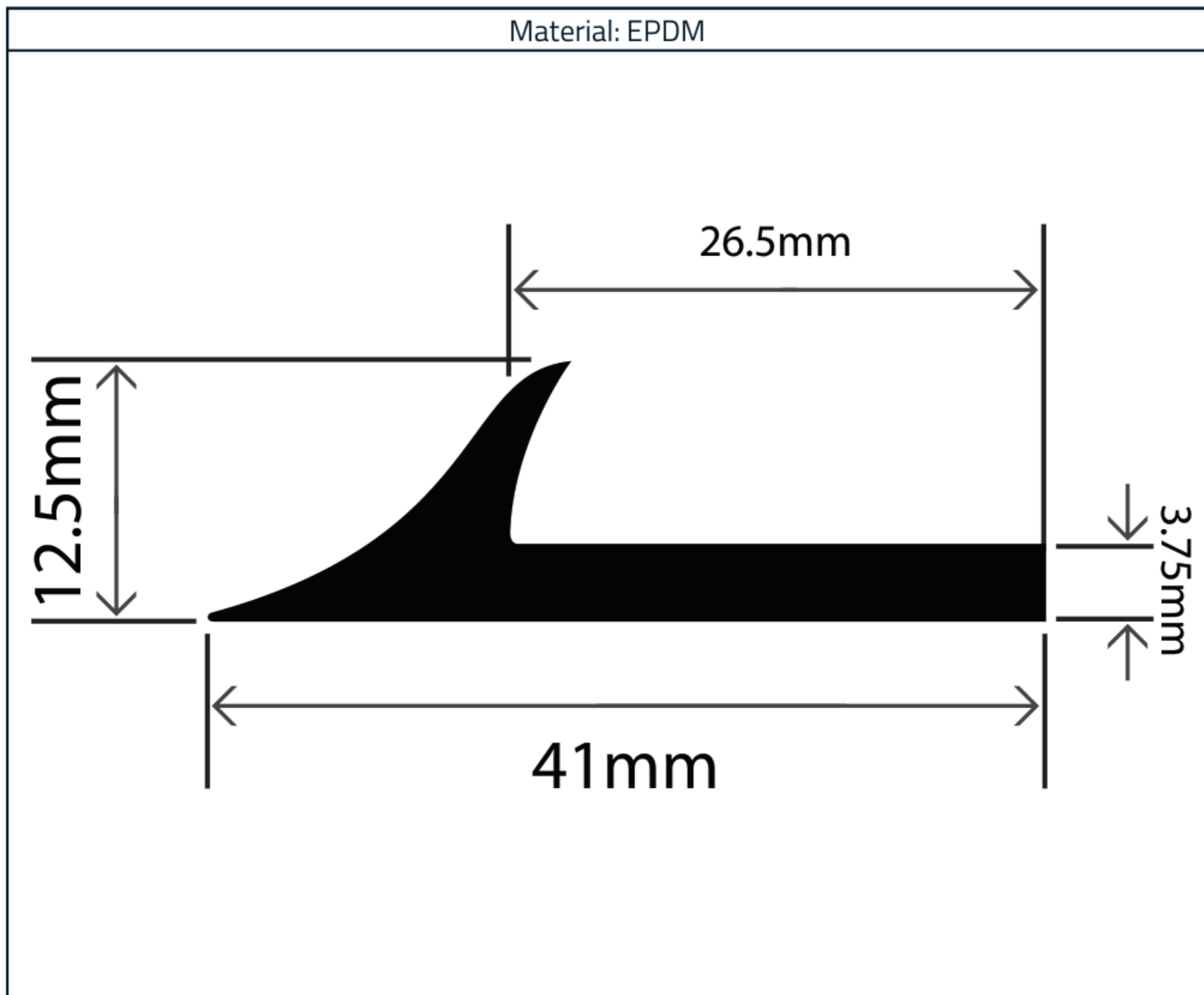


EPDM Ramp Edge Profile 41mm x 12.5mm

Product Code: RCAP41X12.5L



Measurements:

Height	Width
12.5mm	41mm

The information contained on this product information sheet is to be used as guidance. The advice is given in good faith and does not constitute any guarantee or recommendation for suitability. The Rubber Company cannot be held liable for any damage caused by incorrect installation. We hereby reserve the right to change the technical information herewith without notification or prior agreement.

Material Specification

Properties	Values
Polymer	EPDM
Hardness (IRHD)	65-75 +/- 5°
Tear Strength	50 kn/m
Tensile Strength (MPA)	10.00 MPa
Compression Set (22hrs @ 70°C)	21%
Elongation at Break	500%



The information contained on this product information sheet is to be used as guidance. The advice is given in good faith and does not constitute any guarantee or recommendation for suitability. The Rubber Company cannot be held liable for any damage caused by incorrect installation. We hereby reserve the right to change the technical information herewith without notification or prior agreement.