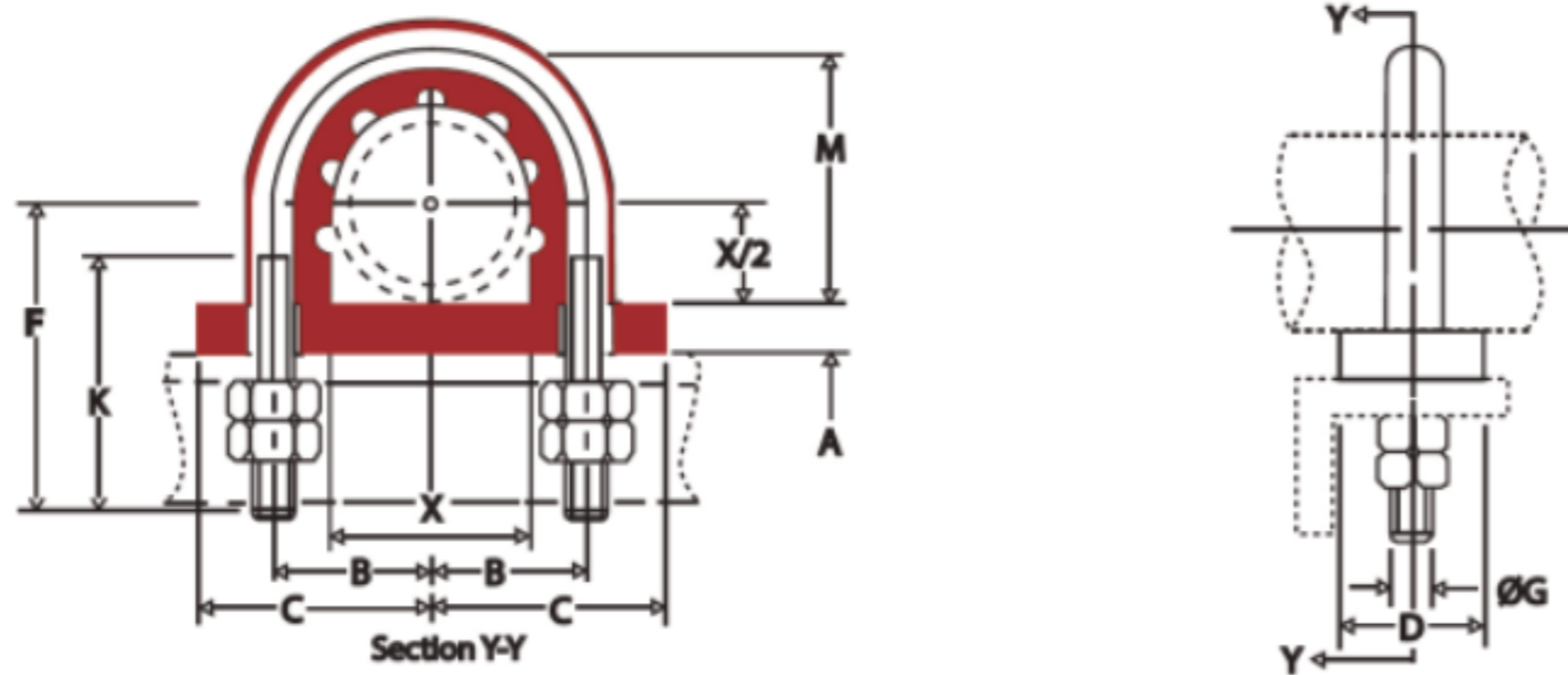


TICO® Pipe Grips Dimensions

Product Code: RC1159

Grip Type TICO Pipe Grips (Ribbed Rubber Inner Face)



Dimensions for Stainless Pipes (The OD's of pipes are based on BS 3974 Part 1 1974 Table 10)

Nominal Pipe Size		Product Code	Dimensions (mm)								
mm	inch		A	B	C	D	F	G	K	M	X
12.70	½	TJ-080211	10	18.5	30	25	60	6	57	29	21
19.00	¾	TJ-080270	10	21.5	34	25	65	6	60	35	27
25.40	1	TJ-080343	10	25	36	25	65	6	60	42	34
31.75	1 ¼	TJ-080432	10	34.5	45	25	70	10	60	56	43
38.10	1 ½	TJ-080491	10	37.5	49	25	80	10	70	62	49
50.80	2	TJ-080610	10	43.5	55	25	90	10	75	74	61
76.20	3	TJ-080890	10	57.5	70	25	100	12	75	102	89
101.60	4	TJ-081153	10	70.5	83	25	110	12	75	128	115
152.40	6	TJ-081684	10	105	123	25	180	16	120	189	168
203.20	8	TJ-082192	10	131	150	25	199	16	120	240	219

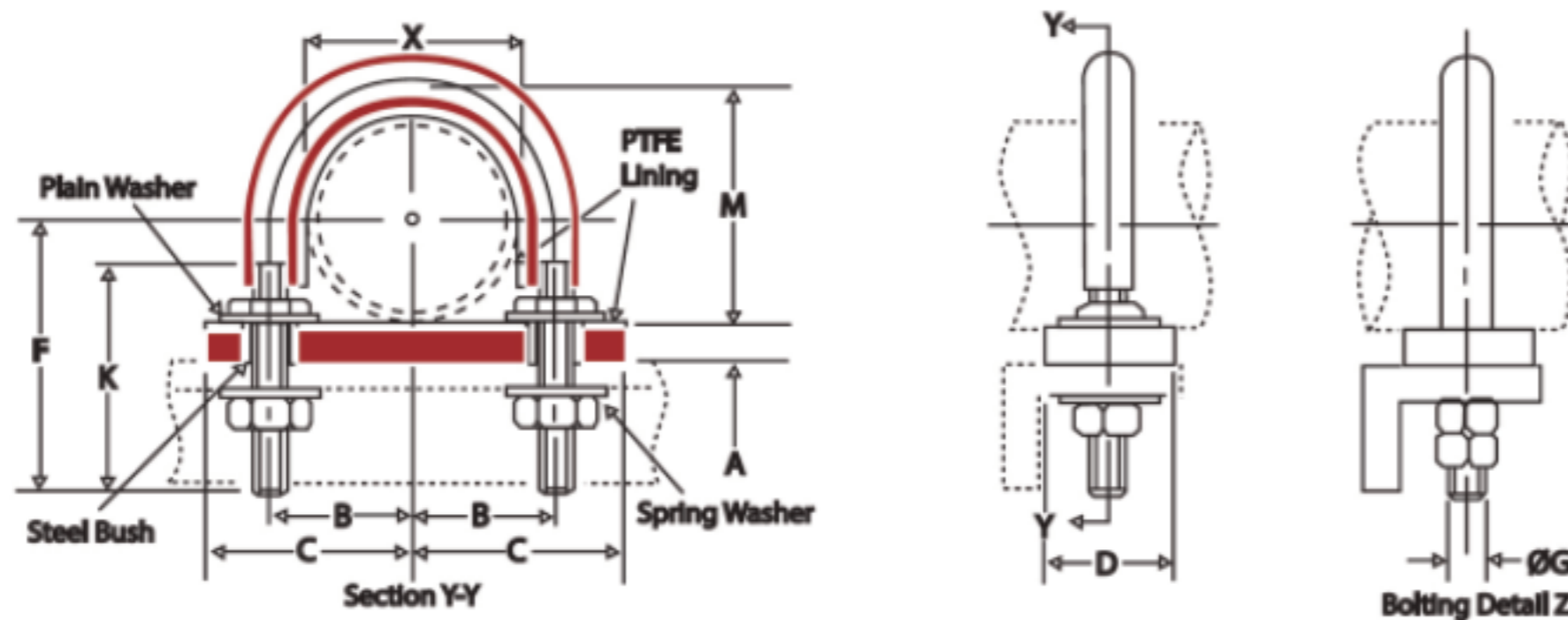
The information contained on this product information sheet is to be used as guidance. The advice is given in good faith and does not constitute any guarantee or recommendation for suitability. The Rubber Company cannot be held liable for any damage caused by incorrect installation. We hereby reserve the right to change the technical information herewith without notification or prior agreement.

Dimensions for Cu/Ni Pipes (The OD's of pipes conform to BS 2871 Part 2 1974 Table 3. BS MA 18 Table 2 BS MA60)

Nominal Pipe Size		Product Code	Dimensions (mm)								
mm	inch		A	B	C	D	F	G	K	M	X
12.70	½	TJ-040163	10	16	30	25	60	6	54	24	16
19.00	¾	TJ-040252	10	20.5	34	25	65	6	58	33	25
25.40	1	TJ-040309	10	23	36	25	65	6	61	38	30
31.75	1¼	TJ-040384	10	32	45	25	70	10	62	51	38
38.10	1½	TJ-040457	10	35	49	25	80	10	70	57	44.5
50.80	2	TJ-040570	10	41.5	55	25	90	10	75	70	57
63.50	2½	TJ-040767	10	51	67	25	100	12	75	89	76
76.20	3	TJ-040899	10	57.5	70	25	100	12	75	102	89
101.60	4	TJ-041089	10	67	83	25	110	12	75	121	108
152.40	6	TJ-041593	10	100.5	119	50	180	16	120	180	159
203.20	8	TJ-042190	10	131	150	50	199	16	120	240	219

The information contained on this product information sheet is to be used as guidance. The advice is given in good faith and does not constitute any guarantee or recommendation for suitability. The Rubber Company cannot be held liable for any damage caused by incorrect installation. We hereby reserve the right to change the technical information herewith without notification or prior agreement.

Guide Type TICO Pipe Grips (PTFE Lined Inner Face)



Dimensions for Stainless Pipes (The OD's of pipes are based on BS 3974 Part 1 1974 Table 10)

Nominal Pipe Size		Product Code	Dimensions (mm)								
mm	inch		A	B	C	D	F	G	K	M	X
12.70	½	TJ-102509*	10	18.5	30	25	60	6	57	29	21
19.00	¾	TJ-102517*	10	21.5	34	25	65	6	60	35	27
25.40	1	TJ-102525*	10	25	36	25	65	6	60	42	34
31.75	1 ¼	TJ-102533	10	34.5	49	30	70	10	60	56	43
38.10	1 ½	TJ-102541	10	37.5	53	30	80	10	70	62	49
50.80	2	TJ-10255X	10	43.5	59	30	90	10	75	74	61
76.20	3	TJ-102568	10	57.5	77	40	100	12	75	102	89
101.60	4	TJ-102576	10	70.5	90	40	110	12	75	128	115
152.40	6	TJ-102584	10	105	129	50	180	16	120	189	168
203.20	8	TJ-102592	10	131	156	50	199	16	120	240	219

*See Bolting Detail Z. These items are supplied without steel bushes and washers.

The information contained on this product information sheet is to be used as guidance. The advice is given in good faith and does not constitute any guarantee or recommendation for suitability. The Rubber Company cannot be held liable for any damage caused by incorrect installation. We hereby reserve the right to change the technical information herewith without notification or prior agreement.

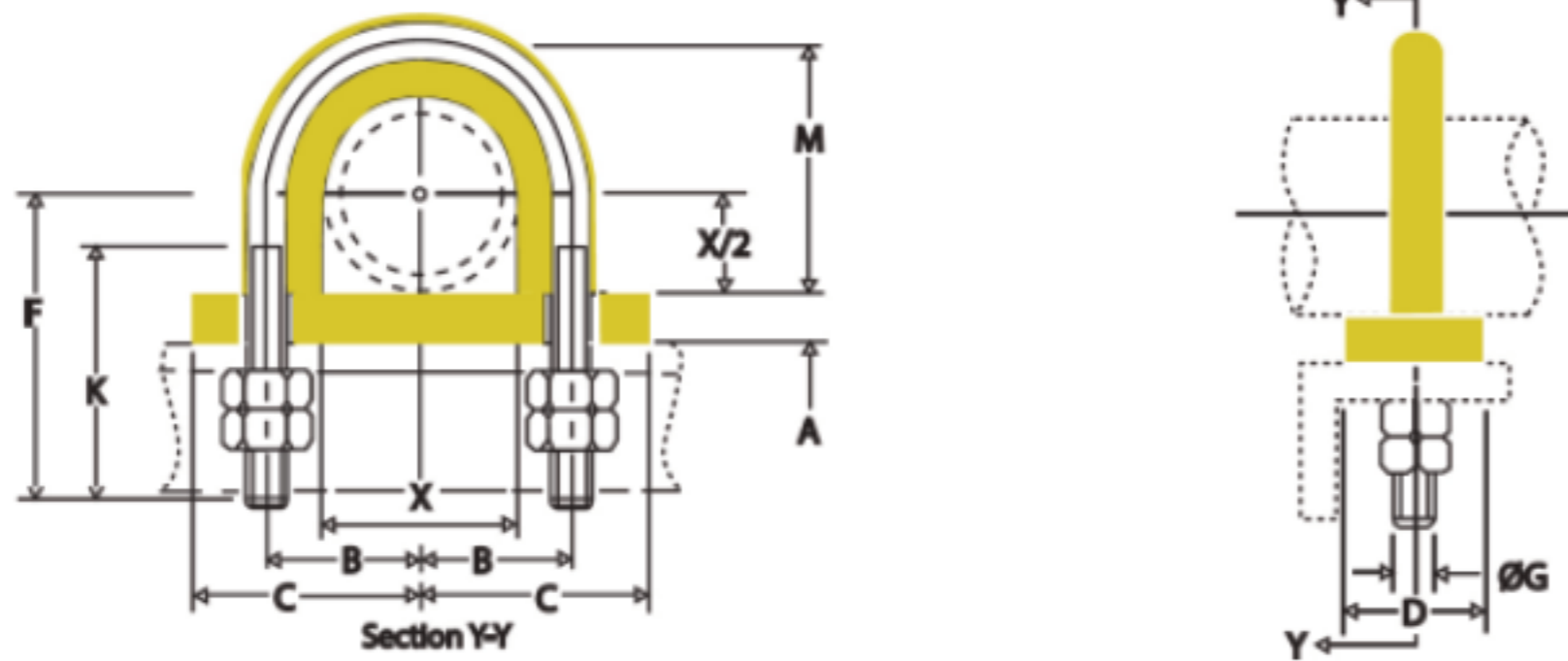
Dimensions for Cu/Ni Pipes (The OD's of pipes conform to BS 2871 Part 2 1974 Table 3. BS MA 18 Table 2 BS MA60)

Nominal Pipe Size		Product Code	Dimensions (mm)								
mm	inch		A	B	C	D	F	G	K	M	X
12.70	½	TJ-102800*	10	16	30	25	60	6	54	24	16
19.00	¾	TJ-102819*	10	20.5	34	25	65	6	58	33	25
25.40	1	TJ-102827*	10	23	36	25	65	6	61	38	30
31.75	1¼	TJ-102835	10	32	49	30	70	10	62	51	38
38.10	1½	TJ-102843	10	35	53	30	80	10	70	57	44.5
50.80	2	TJ-102851	10	41.5	59	30	90	10	75	70	57
63.50	2½	TJ-10286X	10	51	74	40	100	12	75	89	76
76.20	3	TJ-103998	10	57.5	77	40	100	12	75	102	89
101.60	4	TJ-102878	10	67	90	40	110	12	75	121	108
152.40	6	TJ-102886	10	100.5	129	50	180	16	120	180	159
203.20	8	TJ-102894	10	131	156	50	199	16	120	240	219

*See Bolting Detail Z. These items are supplied without steel bushes and washers.

The information contained on this product information sheet is to be used as guidance. The advice is given in good faith and does not constitute any guarantee or recommendation for suitability. The Rubber Company cannot be held liable for any damage caused by incorrect installation. We hereby reserve the right to change the technical information herewith without notification or prior agreement.

VHT Type TICO Pipe Grips (Synthetic Silicone Rubber)



Dimensions for Stainless Pipes (The OD's of pipes are based on BS 3974 Part 1 1974 Table 10)

Nominal Pipe Size		Product Code	Dimensions (mm)								
mm	inch		A	B	C	D	F	G	K	M	X
12.70	½	TJ-201748	10	18.5	30	25	60	6	57	29	21
19.00	¾	TJ-201749	10	21.5	34	25	65	6	60	35	27
25.40	1	TJ-201750	10	25	36	25	65	6	60	42	34
31.75	1 ¼	TJ-201751	10	34.5	45	25	70	10	60	56	43
38.10	1 ½	TJ-201752	10	37.5	49	25	80	10	70	62	49
50.80	2	TJ-201753	10	43.5	55	25	90	10	75	74	61
76.20	3	TJ-201754	10	57.5	70	25	100	12	75	102	89
101.60	4	TJ-201755	10	70.5	83	25	110	12	75	128	115
152.40	6	TJ-201756	10	105	123	50	180	16	120	189	168
203.20	8	TJ-201757	10	131	150	50	199	16	120	240	219

The information contained on this product information sheet is to be used as guidance. The advice is given in good faith and does not constitute any guarantee or recommendation for suitability. The Rubber Company cannot be held liable for any damage caused by incorrect installation. We hereby reserve the right to change the technical information herewith without notification or prior agreement.

Dimensions for Cu/Ni Pipes (The OD's of pipes conform to BS 2871 Part 2 1974 Table 3. BS MA 18 Table 2 BS MA60.)

Nominal Pipe Size		Product Code	Dimensions (mm)								
mm	inch		A	B	C	D	F	G	K	M	X
12.70	½	TJ-201977	10	16	30	25	60	6	54	24	16
19.00	¾	TJ-201978	10	20.5	34	25	65	6	58	33	25
25.40	1	TJ-201979	10	23	36	25	65	6	61	38	30
31.75	1¼	TJ-201980	10	32	45	25	70	10	62	51	38
38.10	1½	TJ-201981	10	35	49	25	80	10	70	57	44.5
50.80	2	TJ-201982	10	41.5	55	25	90	10	75	70	57
76.20	3	TJ-201983	10	57.5	70	25	100	12	75	102	89
101.60	4	TJ-201984	10	67	83	25	110	12	75	121	108
152.40	6	TJ-201985	10	100.5	119	50	180	16	120	180	159
203.20	8	TJ-201976	10	131	150	50	199	16	120	240	219

The information contained on this product information sheet is to be used as guidance. The advice is given in good faith and does not constitute any guarantee or recommendation for suitability. The Rubber Company cannot be held liable for any damage caused by incorrect installation. We hereby reserve the right to change the technical information herewith without notification or prior agreement.