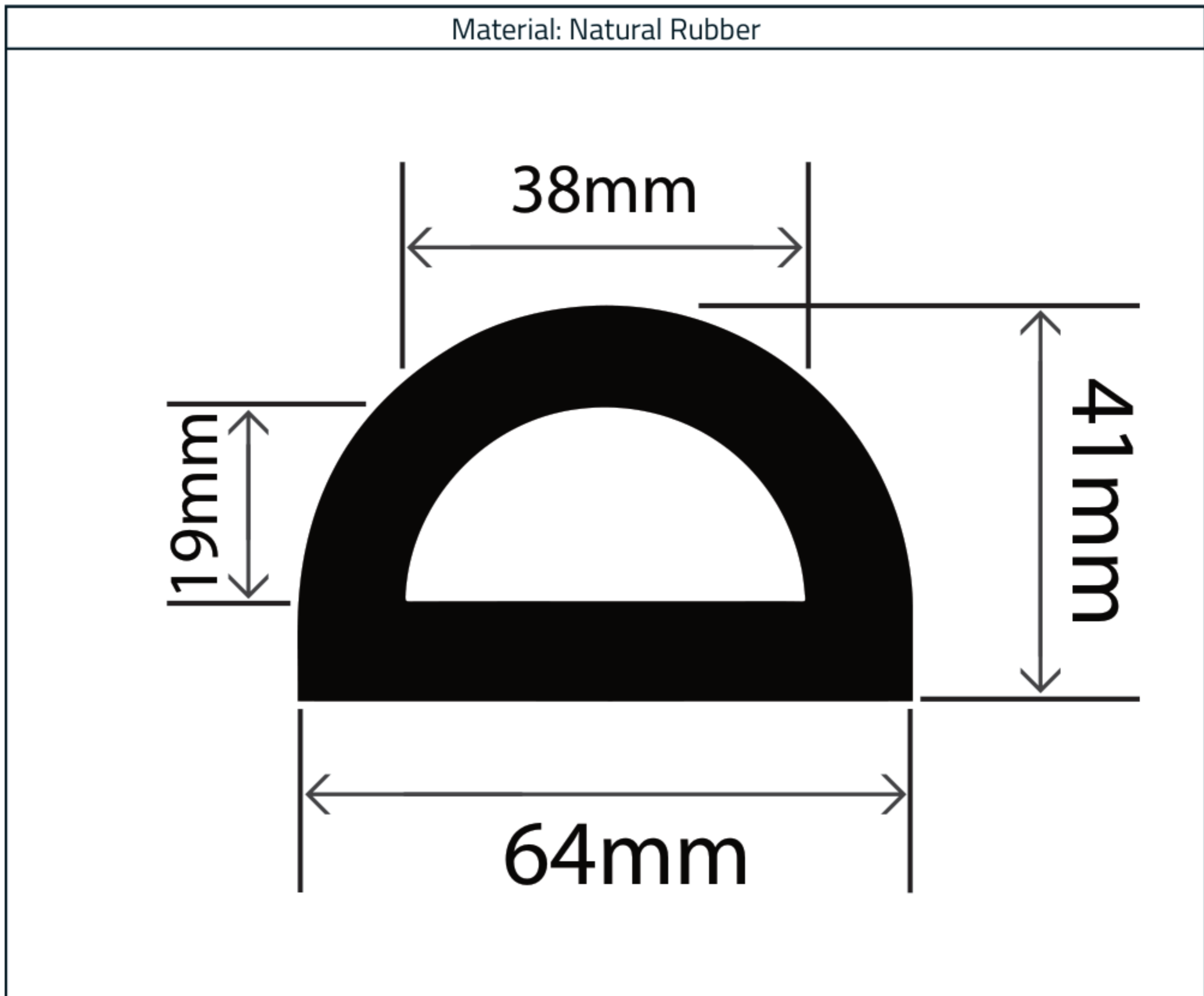


Natural Rubber D Profile 64mm x 41mm

Product Code: RC0801-64



Measurements:

| Height | Width |
|--------|-------|
| 41mm | 64mm |

The information contained on this product information sheet is to be used as guidance. The advice is given in good faith and does not constitute any guarantee or recommendation for suitability. The Rubber Company cannot be held liable for any damage caused by incorrect installation. We hereby reserve the right to change the technical information herewith without notification or prior agreement.

Material Specification

| Properties | Test Method | Values |
|--------------------------------|-------------|------------------------|
| Polymer | - | Natural Rubber |
| Hardness (Shore A) | DIN 53505 | 72° |
| Density | DIN 53505 | 1200 kg/m ³ |
| Tensile Strength | DIN 53504 | ≥16MPa |
| Elongation at Break | DIN 53504 | ≥350% |
| Tear Resistance | DIN 53507 | ≥80 N/cm |
| Abrasion Resistance | DIN 53516 | ≤100mm ³ |
| Compression Set (24hrs @ 70°C) | DIN 53517 | ≤40% |
| Ozone Resistance | ISO 143/1 | No cracking visible |
| Air Ageing | | |
| Change in Hardness | DIN 53505 | ≤5 |
| Change in Tensile Strength | DIN 53504 | ≥80% |
| Change in Elongation At Break | DIN 53504 | ≥80% |



The information contained on this product information sheet is to be used as guidance. The advice is given in good faith and does not constitute any guarantee or recommendation for suitability. The Rubber Company cannot be held liable for any damage caused by incorrect installation. We hereby reserve the right to change the technical information herewith without notification or prior agreement.