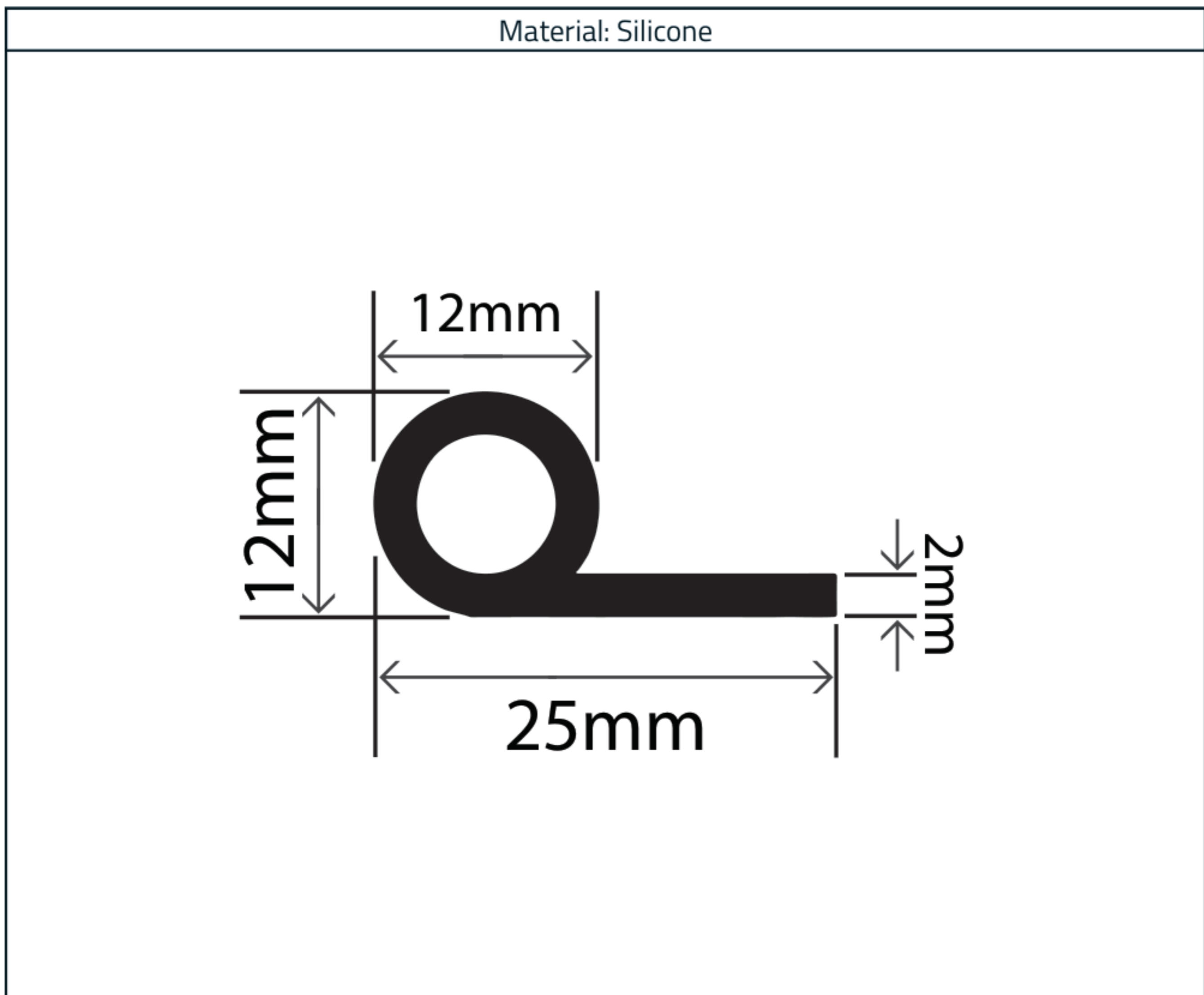


## Hollow Silicone P Profile 25mm x 12mm

Product Code: RC03016



### Measurements:

Height	Width	Bead Inner Diameter
12mm	25mm	8mm

The information contained on this product information sheet is to be used as guidance. The advice is given in good faith and does not constitute any guarantee or recommendation for suitability. The Rubber Company cannot be held liable for any damage caused by incorrect installation. We hereby reserve the right to change the technical information herewith without notification or prior agreement.

### Technical Data

This profile is manufactured from our general purpose silicone compound, which provides excellent mechanical properties as standard. It also features a wide operating temperature range. It is suitable for use in standard use applications but also in pharmaceutical applications. This compound has good flexibility and can be pigmented into a variety of colours.

### Material Specification

Properties	Test Method	Values
Polymer	-	Silicone
Hardness (Shore A)	DIN 53505	61° +/- 5°
Density (@ 20°C)	ISO 1183-1 A	Approx. 1.15 g/cm <sup>3</sup>
Tensile Strength	DIN 53504 S 1	11.00 N/mm <sup>2</sup>
Elongation at Break	DIN 53504 S 1	440%
Compression Set (22rs @ 175°C)	DIN ISO 815-B	40%
Temperature Range (Working)	-	-65°C to +200°C



The information contained on this product information sheet is to be used as guidance. The advice is given in good faith and does not constitute any guarantee or recommendation for suitability. The Rubber Company cannot be held liable for any damage caused by incorrect installation. We hereby reserve the right to change the technical information herewith without notification or prior agreement.