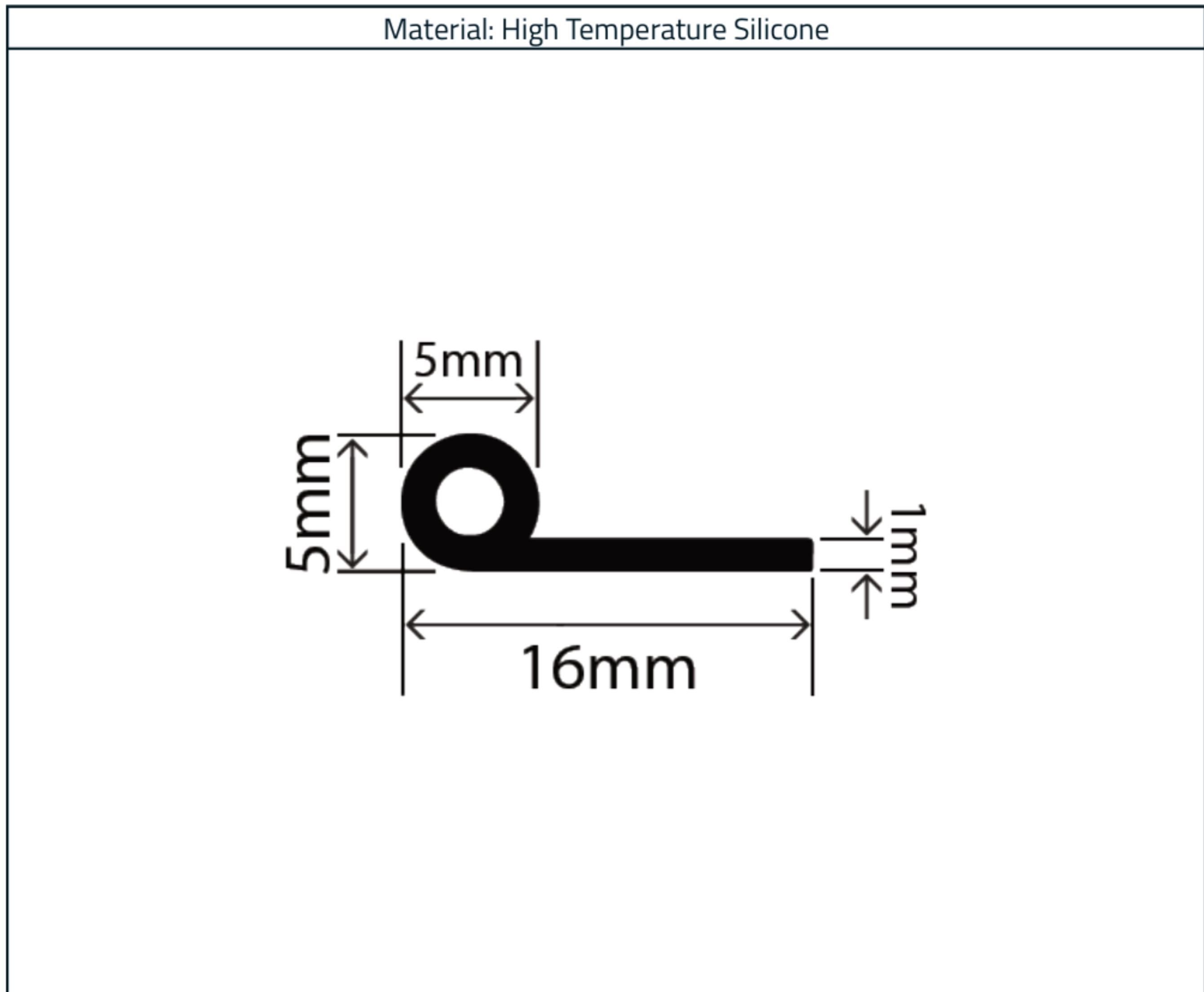


## Hollow Silicone P Profile 16mm x 5mm

Product Code: RC03012



### Measurements:

Height	Width
5mm	16mm

The information contained on this product information sheet is to be used as guidance. The advice is given in good faith and does not constitute any guarantee or recommendation for suitability. The Rubber Company cannot be held liable for any damage caused by incorrect installation. We hereby reserve the right to change the technical information herewith without notification or prior agreement.

### Technical Data

This profile is manufactured from our high temperature silicone compound, which provides a good balance between mechanical properties and hot air resistance. It also features good resistance against oil contact deterioration. This compound has good flexibility and can be pigmented into a variety of colours.

### Material Specification

Properties	Test Method	Values
Polymer	-	Silicone
Hardness (Shore A)	DIN 53505	50° +/- 5°
Density (@ 20°C)	ISO 1183-1 A	Approx. 1.15 g/cm <sup>3</sup>
Tensile Strength	DIN 53504 S 1	11.00 N/mm <sup>2</sup>
Elongation at Break	DIN 53504 S 1	520%
Compression Set (22rs @ 175°C)	DIN ISO 815-B	35%
Temperature Range (Working)	-	-50°C to +300°C



The information contained on this product information sheet is to be used as guidance. The advice is given in good faith and does not constitute any guarantee or recommendation for suitability. The Rubber Company cannot be held liable for any damage caused by incorrect installation. We hereby reserve the right to change the technical information herewith without notification or prior agreement.