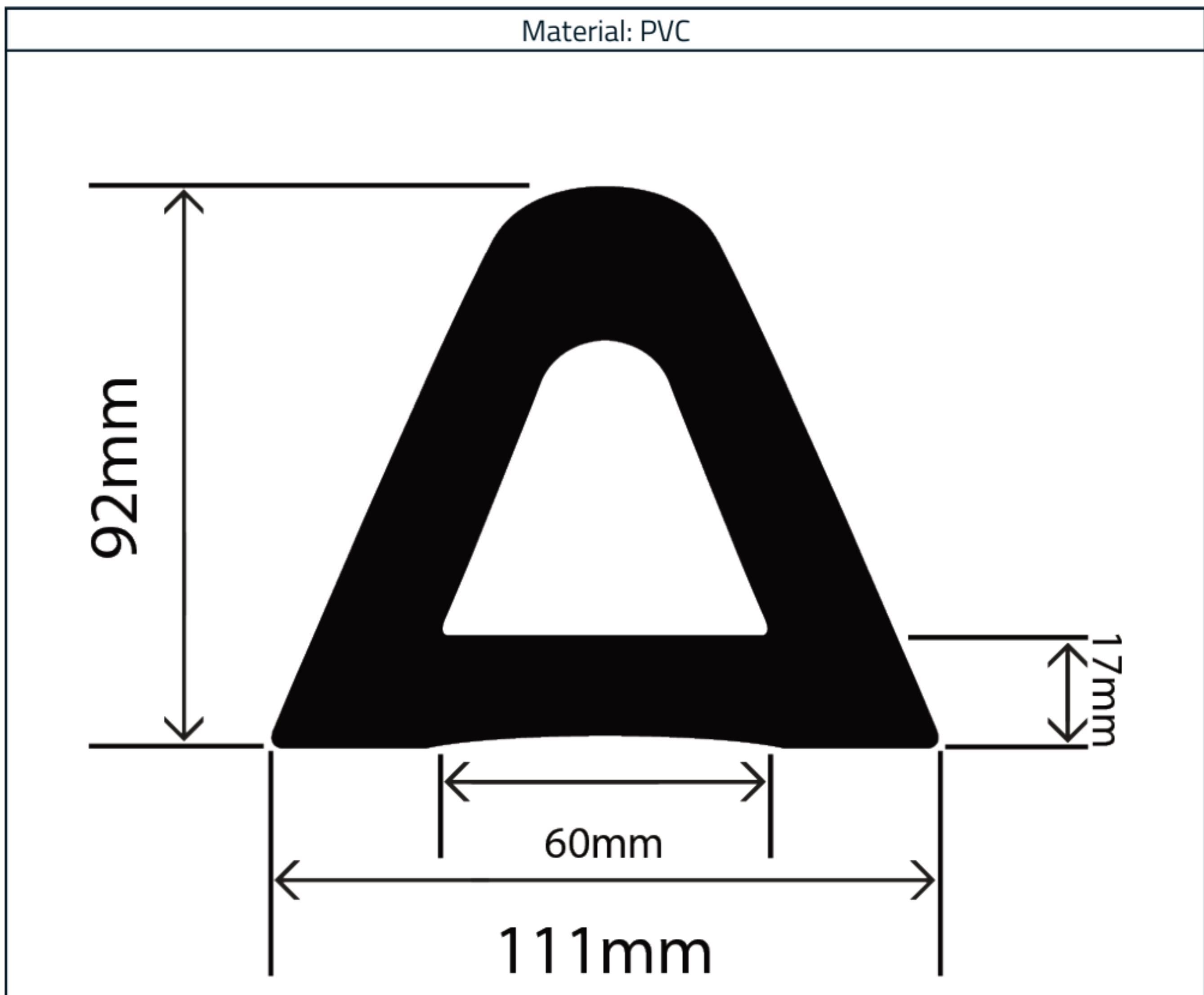


## PVC D Extrusion Profile 114mm x 92mm

Product Code: RC-P2546



### Measurements:

| Height | Width |
|--------|-------|
| 92mm   | 114mm |

The information contained on this product information sheet is to be used as guidance. The advice is given in good faith and does not constitute any guarantee or recommendation for suitability. The Rubber Company cannot be held liable for any damage caused by incorrect installation. We hereby reserve the right to change the technical information herewith without notification or prior agreement.

### Material Specification

| Properties                 |             | Values                 |
|----------------------------|-------------|------------------------|
| Compound                   | -           | PVC                    |
| Hardness (Shore A)         | -           | 67°                    |
| Softness (BSS Number)      | BS2782 365A | 58                     |
| Density (Specific Gravity) | BS2782 620A | 1.24 g/cc              |
| Tensile Strength           | BS2782 320A | 18.4 MN/m <sup>2</sup> |
| Elongation at Break        | BS2782 320A | 390%                   |
| Modulus at 100%            | BS2782 320A | 7.58 MN/m <sup>2</sup> |
| Cold Flex Temperature      | BS2782 150B | -26°C                  |



The information contained on this product information sheet is to be used as guidance. The advice is given in good faith and does not constitute any guarantee or recommendation for suitability. The Rubber Company cannot be held liable for any damage caused by incorrect installation. We hereby reserve the right to change the technical information herewith without notification or prior agreement.