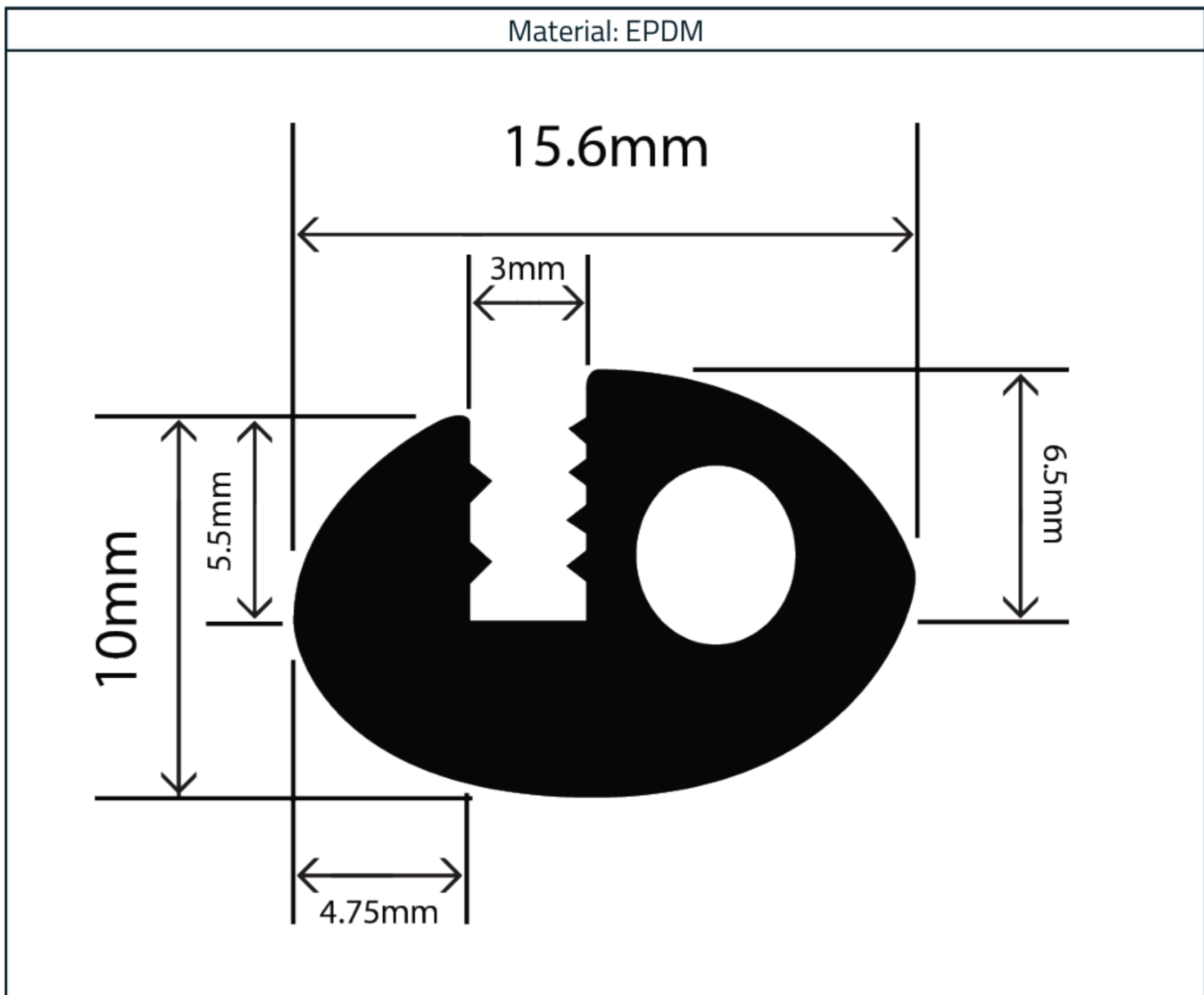


Automotive Glazing Seal 15.6mm x 10mm

Product Code: RC-I1699



Measurements:

| Height | Width | To Fit Panels |
|--------|--------|---------------|
| 10mm | 15.6mm | 3mm |

The information contained on this product information sheet is to be used as guidance. The advice is given in good faith and does not constitute any guarantee or recommendation for suitability. The Rubber Company cannot be held liable for any damage caused by incorrect installation. We hereby reserve the right to change the technical information herewith without notification or prior agreement.

Technical Data

Material Specification

| Properties | Values |
|--|--------|
| Polymer | EPDM |
| Hardness (IRHD) | 65-75 |
| Tear Strength (KN/M) | 50 |
| Tensile Strength (MPA) | 10 |
| Compression Set (22 Hours at 70°C (%)) | 21 |
| Elongation at Break (%) | 500 |



The information contained on this product information sheet is to be used as guidance. The advice is given in good faith and does not constitute any guarantee or recommendation for suitability. The Rubber Company cannot be held liable for any damage caused by incorrect installation. We hereby reserve the right to change the technical information herewith without notification or prior agreement.