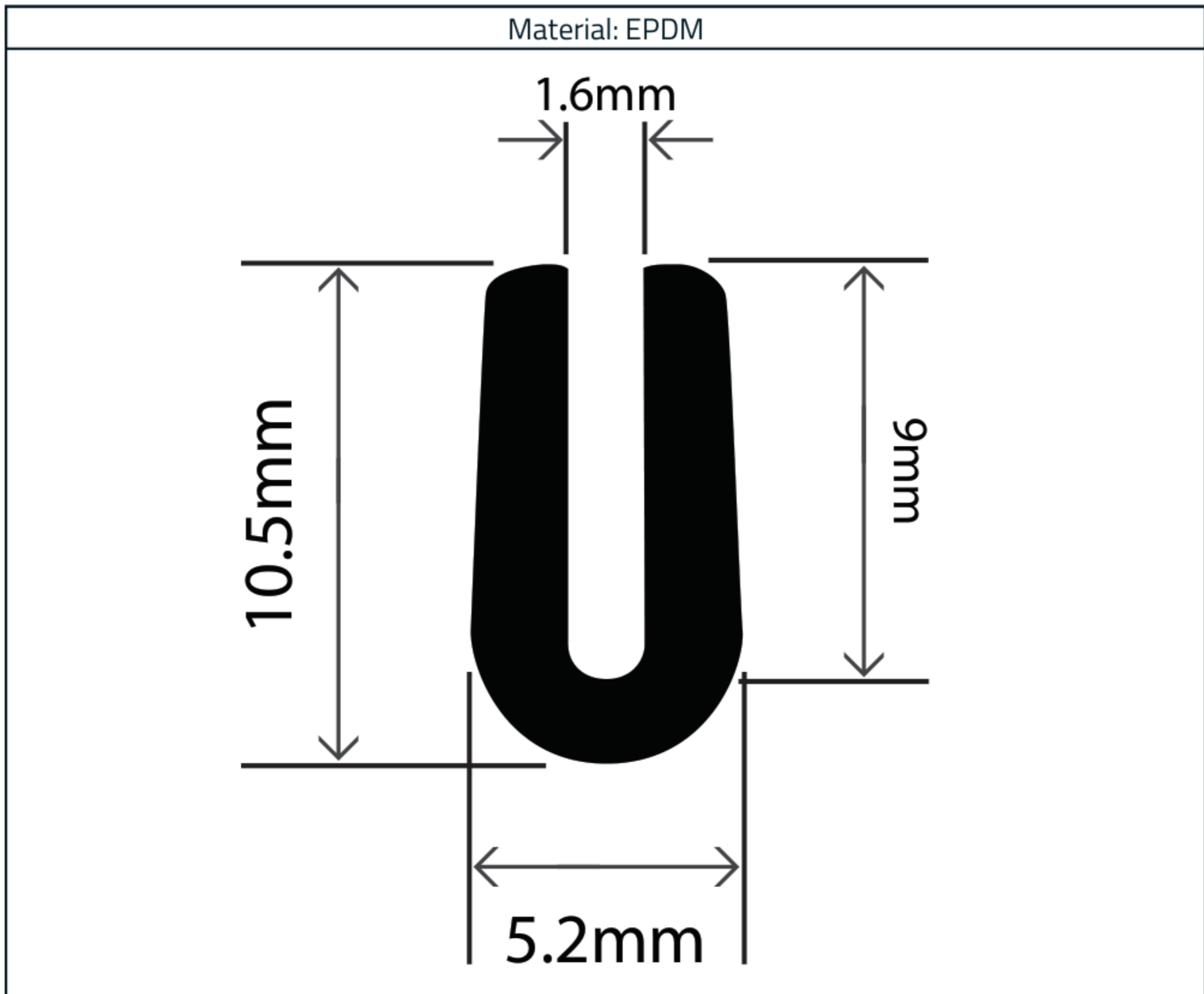


**EPDM U Channel Profile 5.2mm x 10.5mm**  
 Product Code: RC-I1342



**Measurements:**

| Height | Width | To Fit Panel |
|--------|-------|--------------|
| 10.5mm | 5.2mm | 1.6mm        |

The information contained on this product information sheet is to be used as guidance. The advice is given in good faith and does not constitute any guarantee or recommendation for suitability. The Rubber Company cannot be held liable for any damage caused by incorrect installation. We hereby reserve the right to change the technical information herewith without notification or prior agreement.

### Material Specification

| Properties                              | Values       |
|---|--------------|
| Polymer                                 | EPDM         |
| Hardness (IRHD)                         | 65-75 +/- 5° |
| Tensile Strength                        | 10.00 MPa    |
| Elongation at Break                     | 500%         |
| Tear Strength                           | 50 kn/m      |
| Compression Set (22hrs @ 70°C)          | 21%          |
| Ozone Resistance (72hrs @ 40°C, 25pphm) | No Cracks    |
| <b>Heat Aging (70hrs @ 70°C)</b>        |              |
| Change in Tensile Strength              | +9%          |
| Change in Elongation at Break           | 0%           |



The information contained on this product information sheet is to be used as guidance. The advice is given in good faith and does not constitute any guarantee or recommendation for suitability. The Rubber Company cannot be held liable for any damage caused by incorrect installation. We hereby reserve the right to change the technical information herewith without notification or prior agreement.