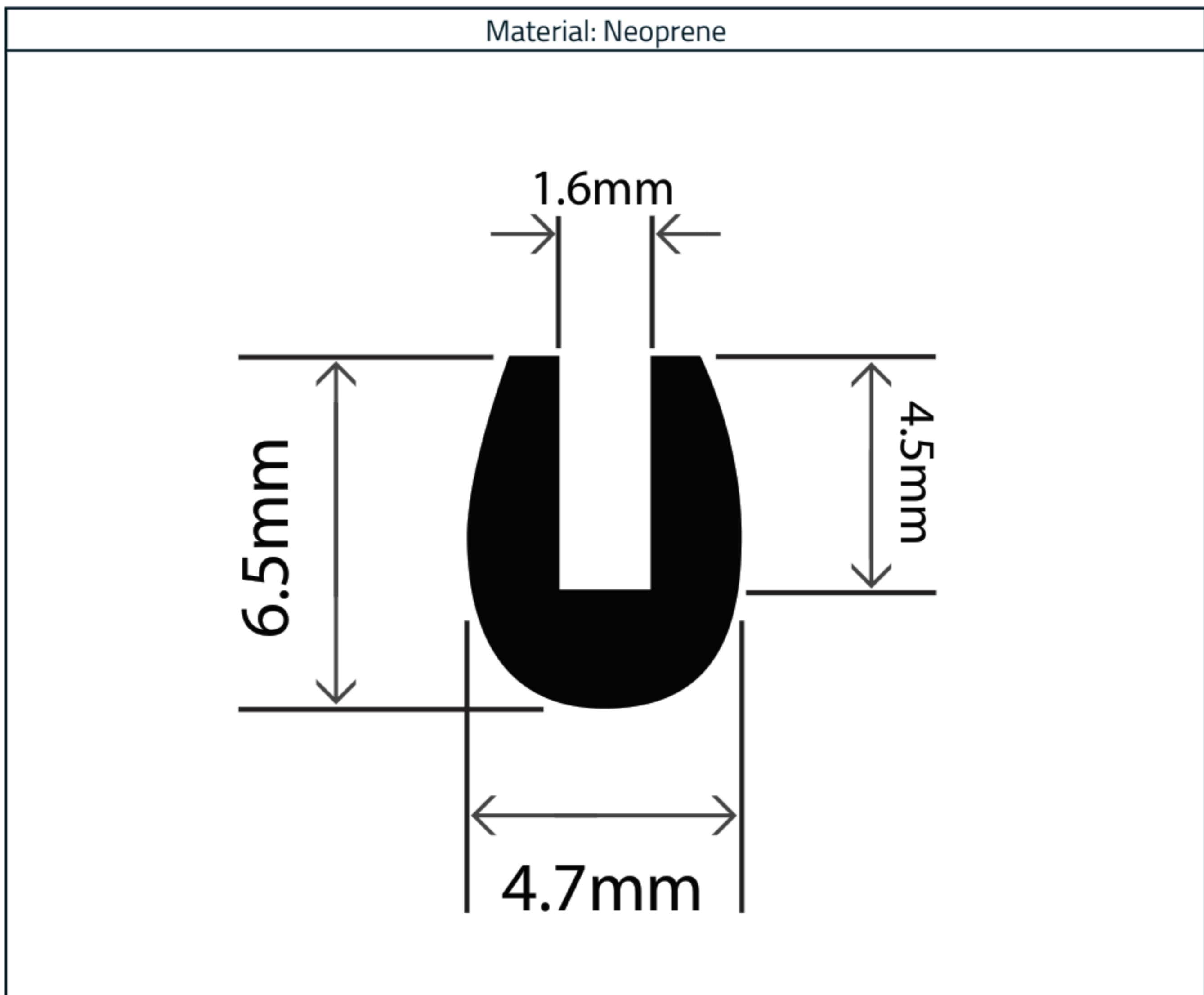


Neoprene U Channel Profile 4.7mm x 6.5mm

Product Code: RC-I1168



Measurements:

| Height | Width | To Fit Panel |
|--------|-------|--------------|
| 6.5mm | 4.7mm | 1.6mm |

The information contained on this product information sheet is to be used as guidance. The advice is given in good faith and does not constitute any guarantee or recommendation for suitability. The Rubber Company cannot be held liable for any damage caused by incorrect installation. We hereby reserve the right to change the technical information herewith without notification or prior agreement.

Material Specification

| Properties | Values |
|---|-----------------|
| Polymer | CR |
| Hardness (IRHD) | 65° - 75° +/- 5 |
| Tensile Strength | 5.00 MPa |
| Elongation at Break | 400% |
| Tear Strength | 17 kn/m |
| Compression Set (22hrs @ 70°C) | 70% |
| Ozone Resistance (72hrs @ 40°C, 25pphm) | Some Cracks |
| Heat Aging (70hrs @ 70°C) | |
| Change in Shore Hardness | +7° |
| Change in Tensile Strength | +15% |
| Change in Elongation at Break | -17% |
| Working Temperature Range | -20°C to +90°C |



The information contained on this product information sheet is to be used as guidance. The advice is given in good faith and does not constitute any guarantee or recommendation for suitability. The Rubber Company cannot be held liable for any damage caused by incorrect installation. We hereby reserve the right to change the technical information herewith without notification or prior agreement.