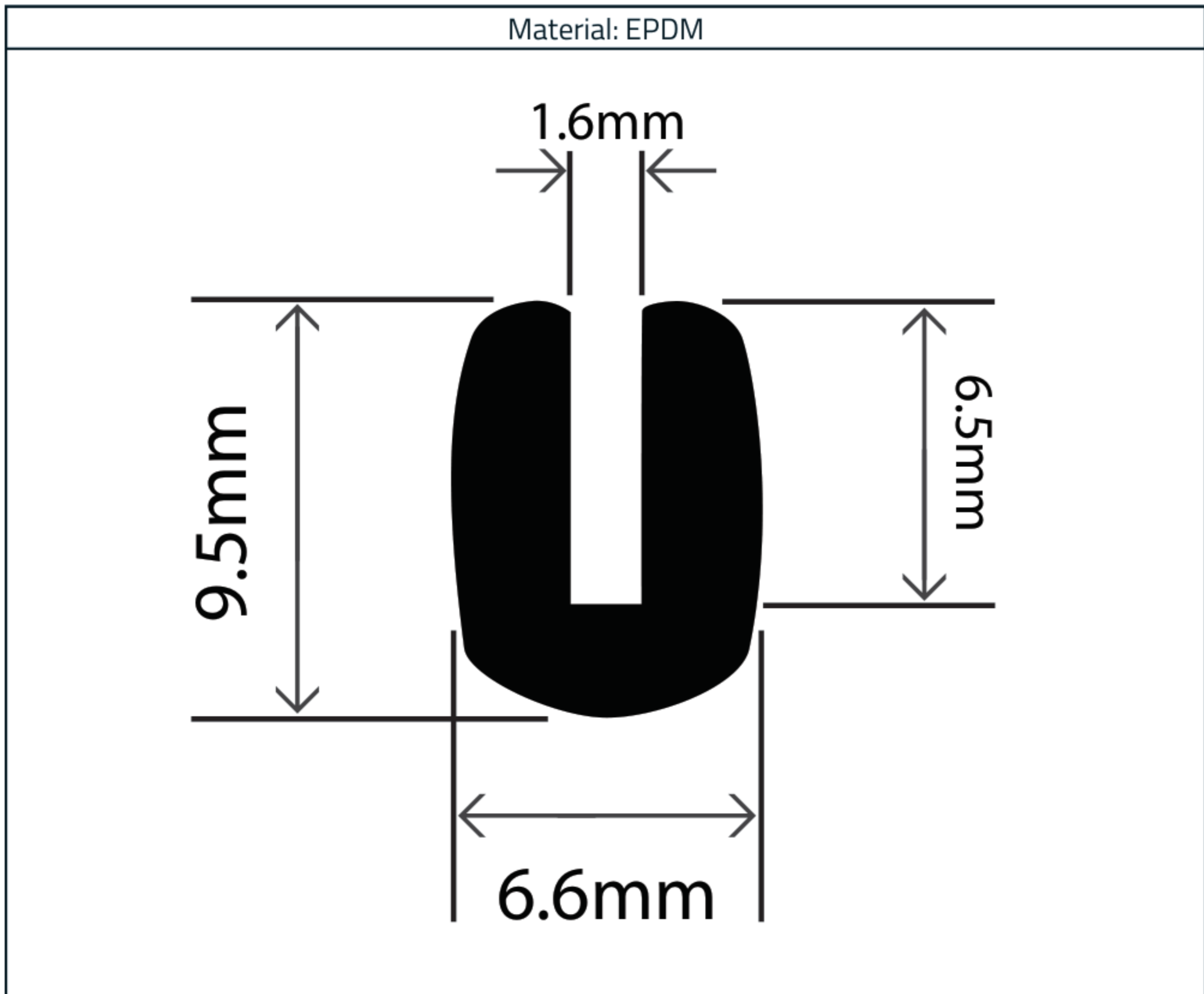


EPDM U Channel Profile 6.6mm x 9.5mm

Product Code: RC-I1098



Measurements:

Height	Width	To Fit Panel
9.5mm	6.6mm	1.6mm

The information contained on this product information sheet is to be used as guidance. The advice is given in good faith and does not constitute any guarantee or recommendation for suitability. The Rubber Company cannot be held liable for any damage caused by incorrect installation. We hereby reserve the right to change the technical information herewith without notification or prior agreement.

Material Specification

Properties	Values
Polymer	EPDM
Hardness (IRHD)	65-75 +/- 5°
Tensile Strength	10.00 MPa
Elongation at Break	500%
Tear Strength	50 kn/m
Compression Set (22hrs @ 70°C)	21%
Ozone Resistance (72hrs @ 40°C, 25pphm)	No Cracks
Heat Aging (70hrs @ 70°C)	
Change in Tensile Strength	+9%
Change in Elongation at Break	0%



The information contained on this product information sheet is to be used as guidance. The advice is given in good faith and does not constitute any guarantee or recommendation for suitability. The Rubber Company cannot be held liable for any damage caused by incorrect installation. We hereby reserve the right to change the technical information herewith without notification or prior agreement.