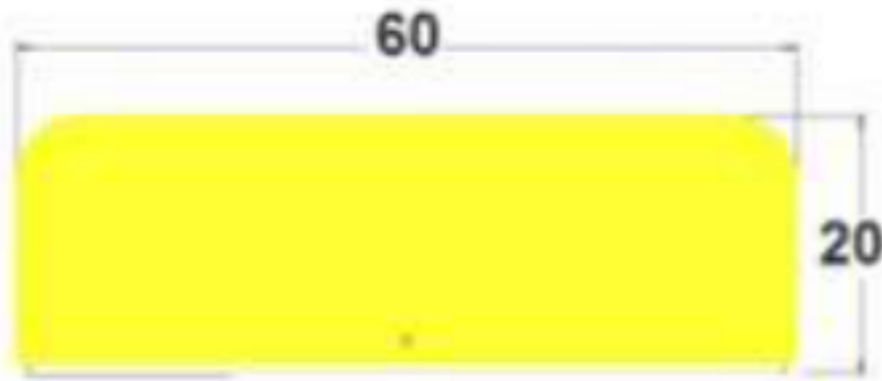


Edge Protectors

Code: RC02-TPE / RC02-PU



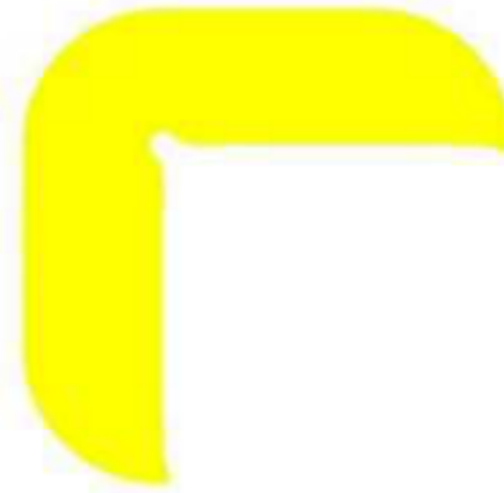
RC29037

TPE foam

Yellow

Density 0.45

With Self Adhesive Back



RC4590

L-shaped Corner Protection
35 X 35 mm to be glued.

TPE Foam

Yellow, Grey or Black

Density 0.45

Plain



RC4590

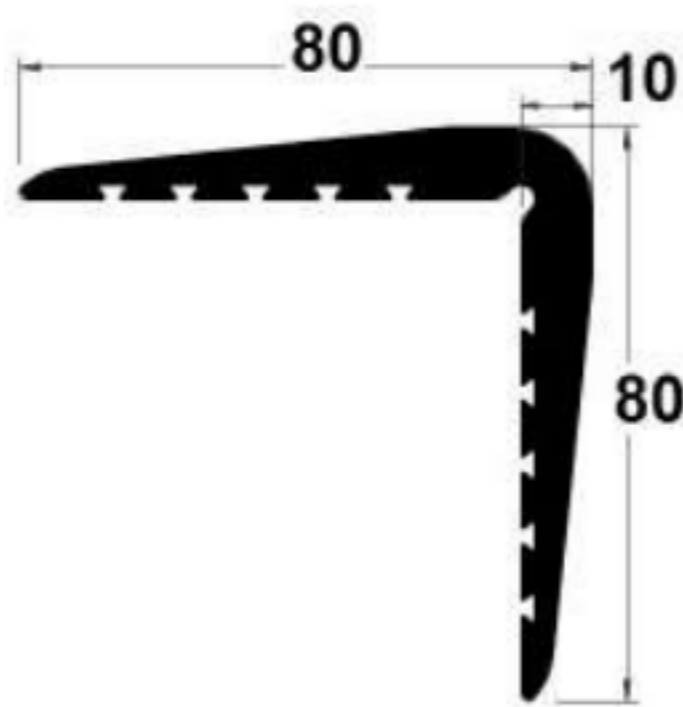
L-Shaped Corner Protection
35 x 35 mm with SAB

TPE foam

Yellow Grey or Black

Density 0.45

With Adhesive



RC29038 / RC4719

Corner Protection 80 x 80 mm

Box of 4M

Black - Elastomer TPE

65° Shore

Plain



RC4578

Round Corner Guard Ø40mm
with SAB

TPE Foam

Yellow, Grey or Black

Density 0.45

With Self Adhesive Back



RC4578

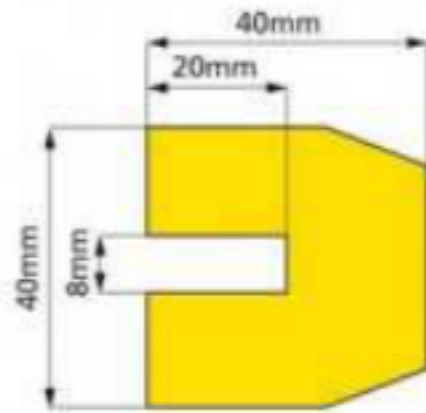
Round Corner Guard Ø40mm

TPE Foam

Yellow, Grey or Black

Density 0.45

Plain



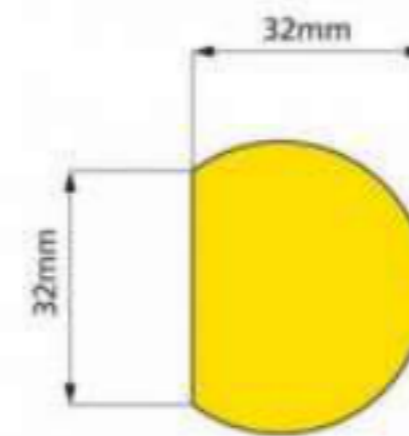
RC29004

Black / Yellow

Polyurethane foam

8 to 10 mm slice mounting

To stick on



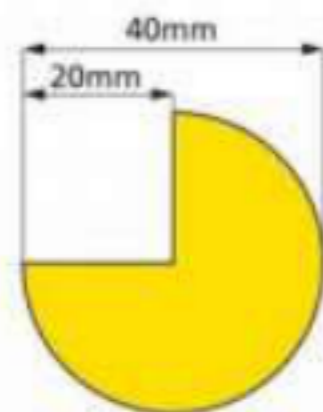
RC29005

Black / Yellow

Polyurethane foam

Fixing on flat surface

With adhesive



RC29001

Black / Yellow

Polyurethane foam

Fixing on flat Surface

With adhesive



RC29006

White / Red

Polyurethane foam

**Tube diameters 50mm ID x 66 mm OD
(8mm thick)**

Plain